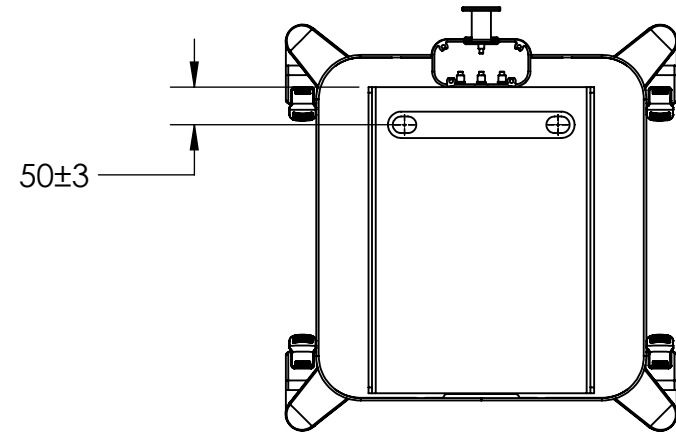


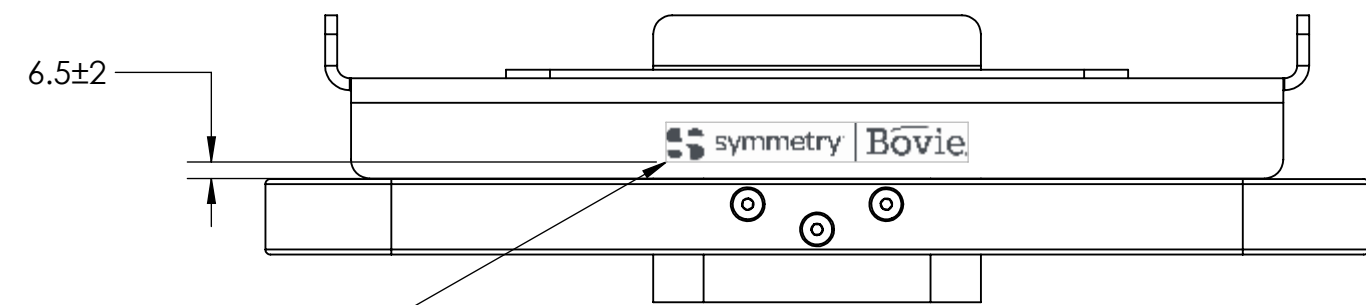
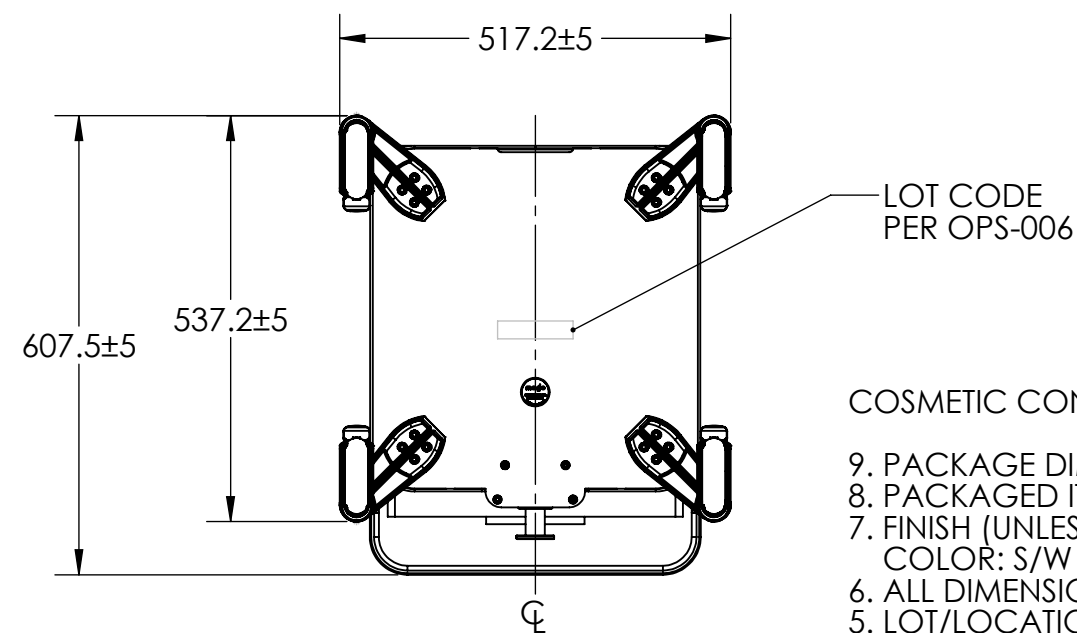
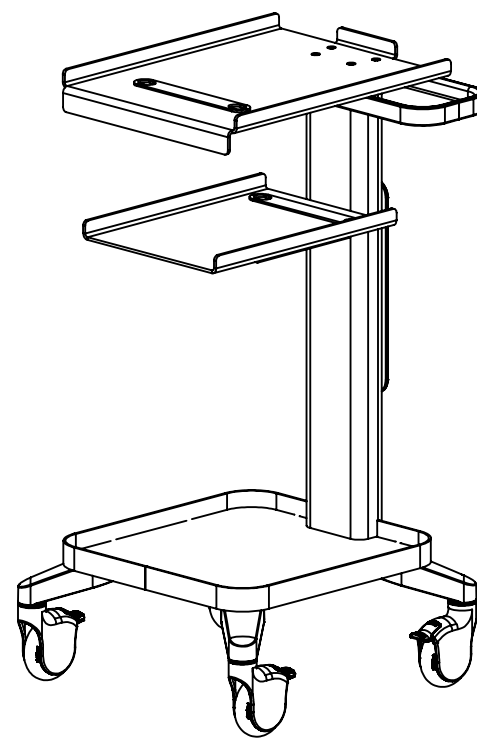
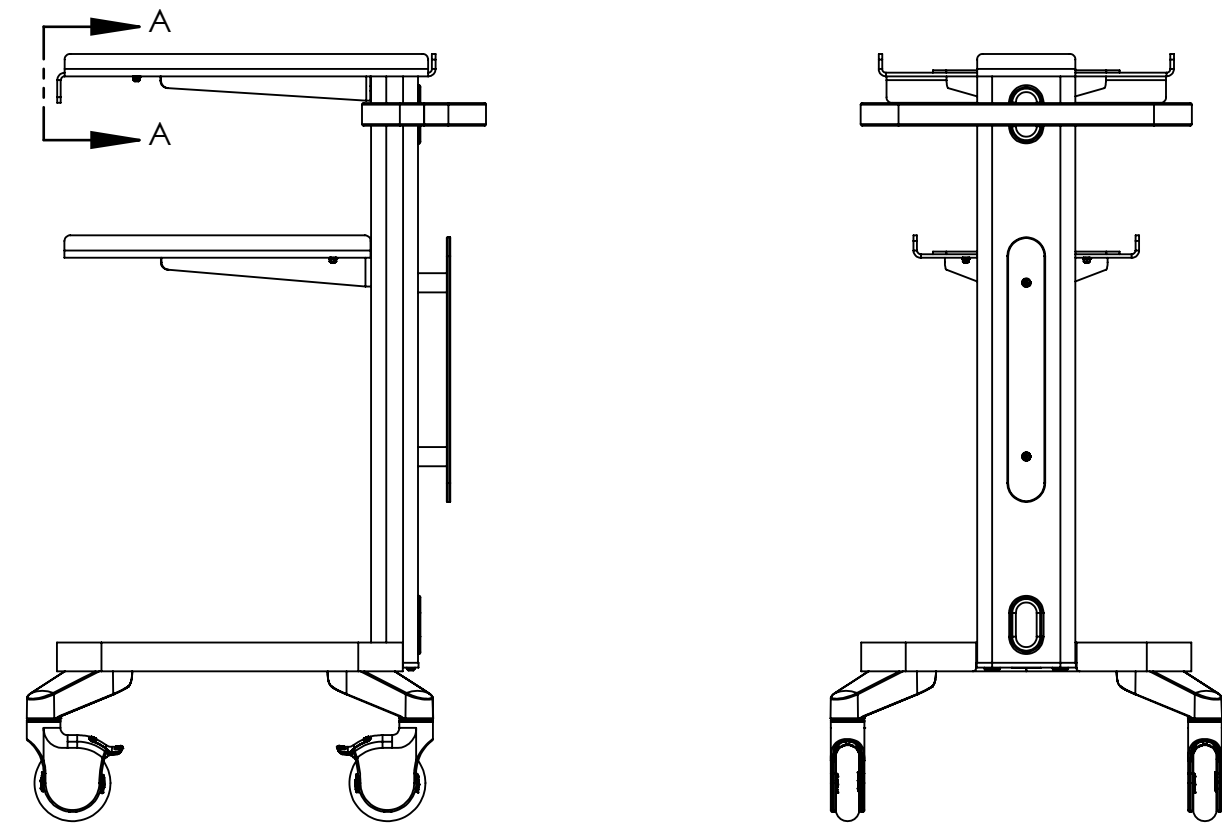
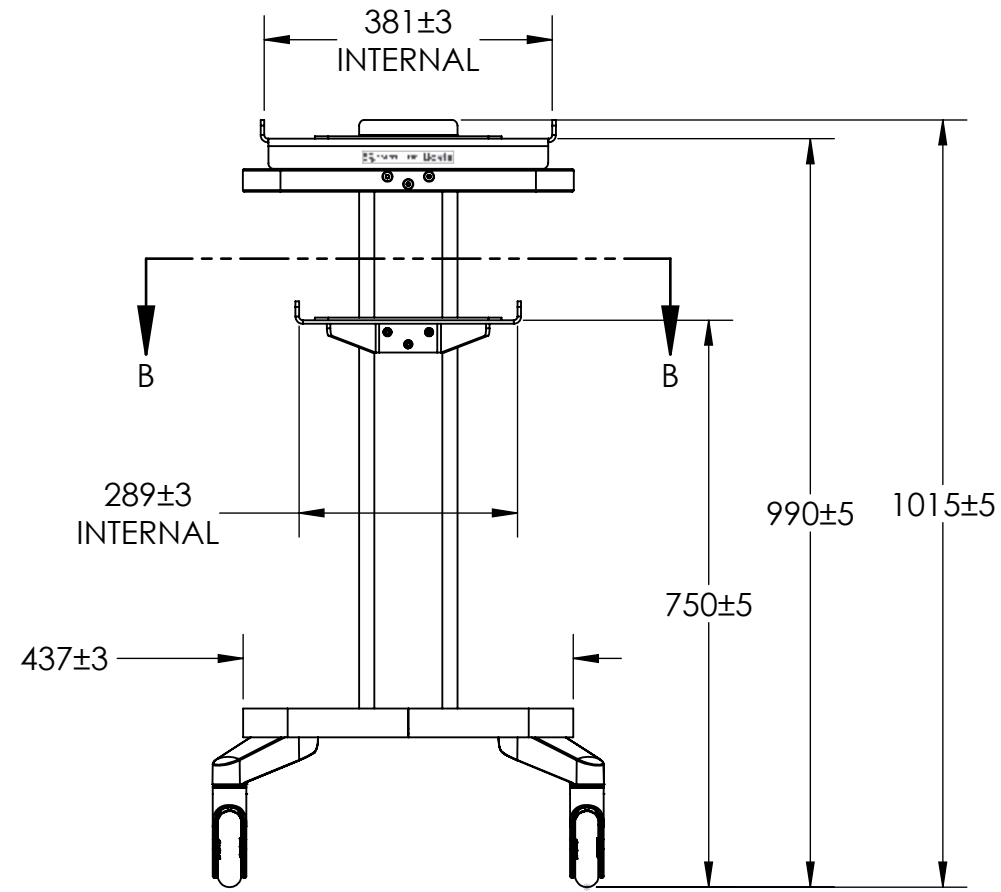
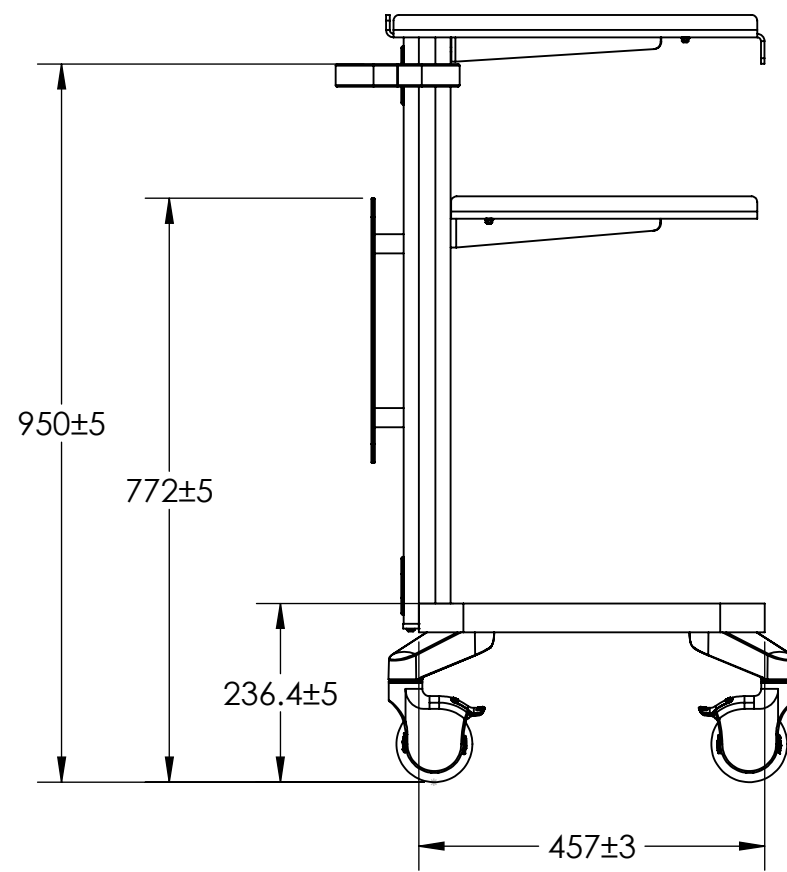
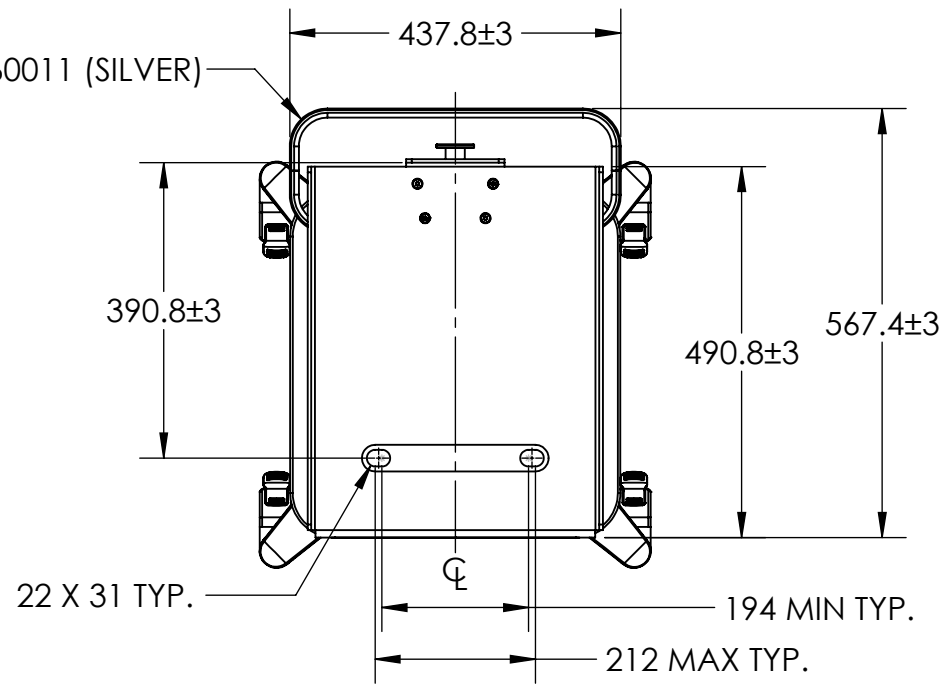
RESTRICTED USE - PROPERTY OF MODO, INC. INFORMATION CONTAINED IN, OR REPRESENTED BY, THIS DOCUMENT, DRAWING OR SPECIFICATION, OR INFORMATION DERIVED FROM SAME ("DOCUMENTATION"), ARE THE EXCLUSIVE PROPERTY, INCLUDING BUT NOT LIMITED TO, ALL INTELLECTUAL PROPERTY RIGHTS ("RIGHTS"). RIGHTS ARE CONSIDERED TRADE SECRETS OF MODO, INC. DOCUMENTATION MAY ONLY BE USED WITH EXPRESS WRITTEN PERMISSION OF MODO, INC., IN A SEPARATE WRITING ATTACHED TO OR EVIDENCED ON DOCUMENTATION.

COLOR: PAF2-60011 (SILVER)

REVISIONS				
ZONE	REV.	DESCRIPTION	DATE	APPROVED
ALL	A	PRODUCTION RELEASE	11/07/2018	95736
ALL	B	UPDATE PACKAGING DIMENSIONS AND PACKAGED WEIGHT	1/29/2019	95761
ALL	C	LOGO UPDATED ON THE CART	06/29/2019	95810



SECTION B-B



LOGO:  
120 X 16 mm  
HORIZONTALLY CENTERED  
COLOR: PMS 7540C

SECTION A-A  
SCALE 1 : 3

**COSMETIC CONTROL NOTES:**

1. THIS DRAWING IS COMPUTER GENERATED AND NOT TO SCALE. CHANGES MUST BE MADE WITHIN THE DATABASE.
2. FINISH QUALITY TO MODO PRODUCT FINISH REQUIREMENTS, OPS-005.
3. MANUFACTURE TO MODO PRODUCT FINISH REQUIREMENTS, OPS-005.
4. PRODUCT SAFETY STANDARDS PER IEC 60601-1, SECTION 9.4.2.1
5. LOT/LOCATION TO MODO PRODUCT DATE STAMPING REQUIREMENTS, OPS-006.
6. ALL DIMENSIONS METRIC.
7. FINISH (UNLESS OTHERWISE NOTED):  
COLOR: S/W # PWT2-40119
8. PACKAGED ITEM WEIGHT: 85 LBS
9. PACKAGE DIMENSIONS: 36" X 26" X 18" (L X W X H)

<b>modo, inc.</b>			20325 NW VON NEUMANN DR SUITE 170 BEAVERTON, OREGON, 97006
<b>TITLE:</b> CART, OR/ASC, BOVIE			
<b>PART NUMBER:</b> BOV1000	<b>REVISION:</b> C	<b>SHEET:</b> SHEET 1 OF 1	
<b>DRAWN BY:</b> A. HOLY	<b>DATE:</b> 5/18/2018	<b>TOLERANCES:</b>	
<b>CHECKED BY:</b> D. PAULSON	<b>DATE:</b> 11/14/2018	X	+/- 1.0
		.X	+/- 0.5
		.XX	+/- 0.25
<b>SCALE:</b> NOT TO SCALE	<b>SIZE:</b> C SIZE SHEET	<b>ANGULAR STD</b> +/- 1 DEGREE	