

## *Nitrogen Regulator Assembly*

### Elements

- Lightweight
- Portable
- High flow (16-18 scfm)
- Wide operating range (5-180 psig)
- Variety of configurations

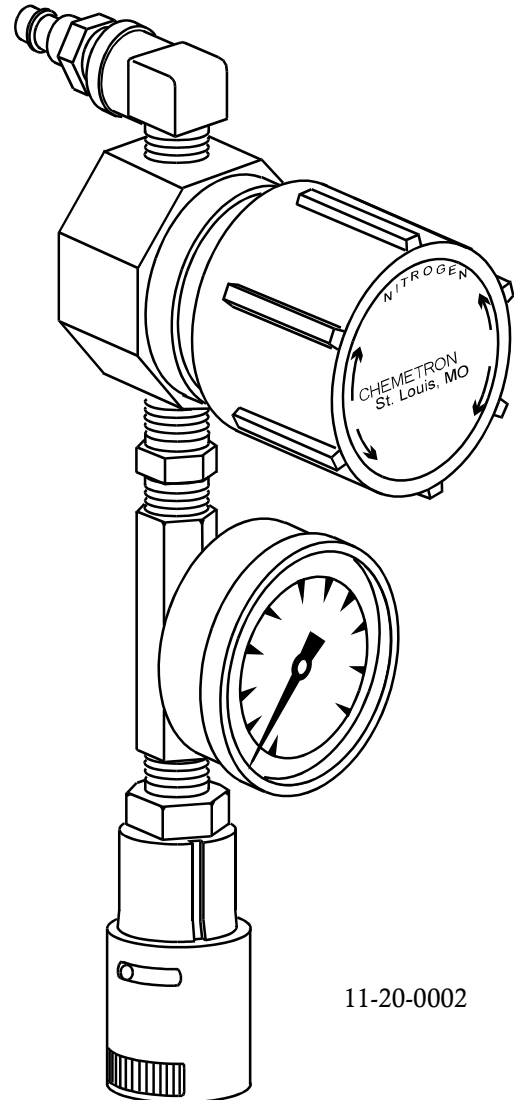
### Description

Nitrogen regulator assemblies are designed to be used with the nitrogen outlet stations. Together they provide pneumatic instruments with varying pressures as required for operation.

The assembly includes an oversize adjustment knob, male Dyna-Con® or other fitting inlet adapter, 0-300 psig pressure gauge indicating the current regulated pressure, and an outlet valve.

### Performance Data

Operating range:	Adjustable 5-180 psig
Capacity:	Exceeds 16 scfm at 160 psig outlet setting Exceeds 18 scfm at 180 psig outlet setting



11-20-0002

### Operating Instructions

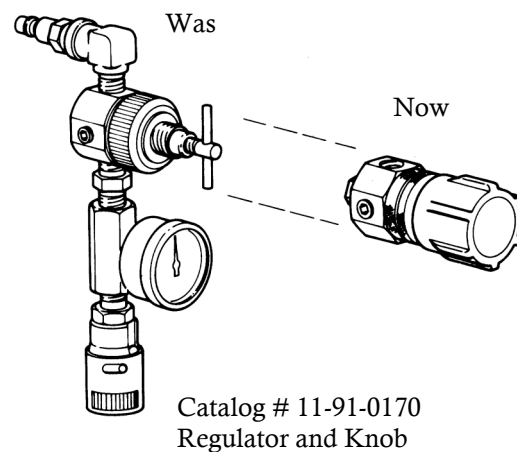
- 1) Attach the regulator assembly to the turbo-pneumatic instrument.
- 2) Turn the regulator adjustment knob counter-clockwise to zero stop.
- 3) Plug the regulator into the nitrogen outlet and lock in place. Activate the flow from the outlet.
- 4) Adjust the regulator to the desired setting by turning the adjustment knob clockwise. Operate the tool. Adjust the regulator if necessary per the tool manufacturer's instructions.
- 5) When not in use, deactivate the flow at the Dyna-Con valve to bleed pressure from the regulator and hose. Then disassemble hose from the regulator if necessary.

**CAUTION:** Always disconnect the nitrogen regulator from the outlet station before removing equipment from the regulator.

### Maintenance and Repair

- 1) Audibly inspect for leakage around the threaded connections before use. Do not use if leakage is detected.
- 2) Replace the diaphragm and valve assembly (catalog #11-91-0174) annually or as needed.
- 3) Additional repair to the regulator itself is not economically feasible. See the Replacement Parts List for components.
- 4) Reassembly of threaded connections should include accepted sealing methods

### Upgrading Chemetron® "T-Handle" Regulator Assemblies



**NOTE:** If the regulator has a set-screw lock outlet bushing, use the regulator with a set-screw lock assembly to upgrade (catalog #11-91-0171).

**Ordering Information**

Catalog Number	Inlet	Outlet
11-20-0002	Dyna-Con Male, 90 Degree	Schrader Female Coupler (shown on page 1)
11-20-0003	Dyna-Con Male, 180 Degree	Schrader Female Coupler
11-20-0004	Dyna-Con Male, 90 Degree	Set Screw Lock for Schrader Male
11-20-0005	Dyna-Con Male, 180 Degree	Set Screw Lock for Schrader Male
11-20-0007	DISS Female, 180 Degree	Schrader Female Coupler
11-20-0015	DISS Female, 90 Degree	Set Screw Lock for Schrader Male
11-20-0016	DISS Female, 180 Degree	Set Screw Lock for Schrader Male
11-20-0021	DISS Female, 180 Degree	DISS Male w/Check
11-20-0022	DISS Female, 90 Degree	DISS Male w/Check
11-20-0023	Schrader Male, 180 Degree	Schrader Female Coupler
11-20-0029	DISS, Male, 90 Degree	Schrader Female Coupler
11-20-9045	DISS Female, 90 Degree	Schrader Female Coupler
11-20-9046	DISS Female, 180 Degree	1/4" NPT Male
11-20-9049	1/4" NPT Male, 180 Degree	1/4" NPT Female

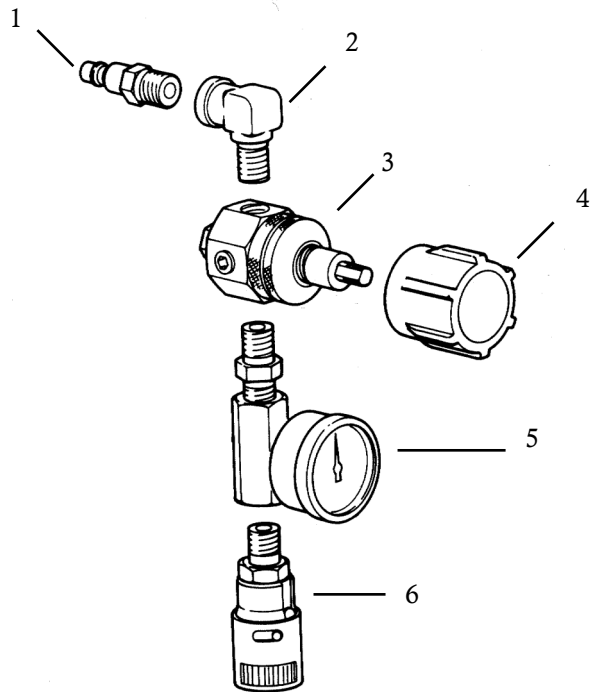
**NOTE:**

90-degree inlet connections are typically used for wall outlets.

180-degree inlet connections are typically used for ceiling drops.

**Replacement Parts List**

Catalog Number	Description
1	Dyna-Con adapter x 1/4" NPT
2	90° Elbow 1/4" NPT x 1/4" FPT
3	Regulator and knob assembly
4	Color-coded knob
5	0-300 psi Gauge
6	Schrader air coupler
11-20-0010	Set screw lock outlet bushing (not illustrated)
11-91-0174	Regulator repair kit (not illustrated)
11-20-0008	Dyna-Con check w/1/4" NPT male (not illustrated)
11-91-0195	Bonnet repair kit (not illustrated)



All specifications are nominal and subject to change without notice.

Warranty:  
See Allied Statement of Warranties for details.

© 2005 Allied Healthcare Products, Inc. Printed in USA

*Customer Service:*

USA: (800) 444-3960  
 FAX: (314) 771-7537  
 Canada/Mexico: (800) 446-0552  
 FAX: (800) 246-6201  
 International: (314) 268-1683  
 FAX: (314) 771-5183



1720 Sublette Avenue  
 St. Louis, MO 63110 USA  
 (314) 771-2400  
 www.alliedhpi.com  
**ISO 9001 CERTIFIED**