



# Remote Control Dimmer Switch AL-60-03-0001



This Wireless Remote Control and Wireless Receiver (AL-60-03-0004 – sold separately) work together to provide mode, color, brightness, and zone control for both Radialux RGB and RGB-W tape lights. The controller can operate up to four independent zones, so you can have different color-changing effects in different rooms or parts of a space. The remote can save up to three custom colors or modes. A touch wheel allows for direct visual selection of colors.

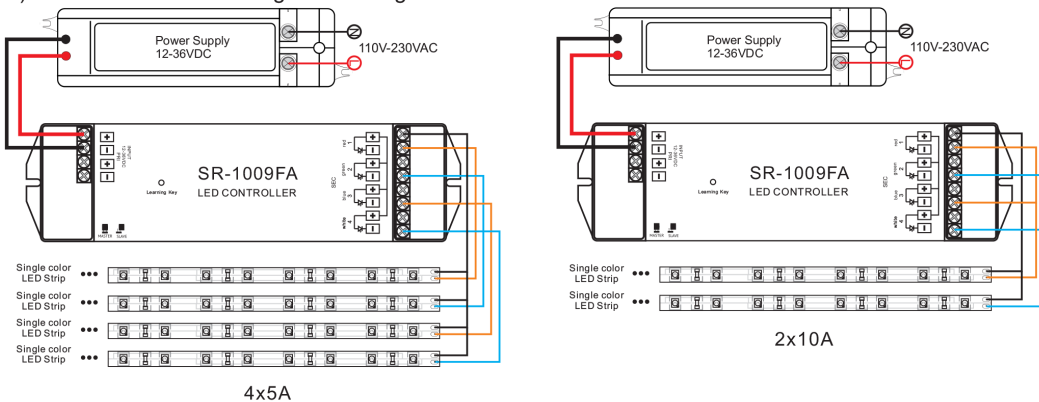


## Specifications

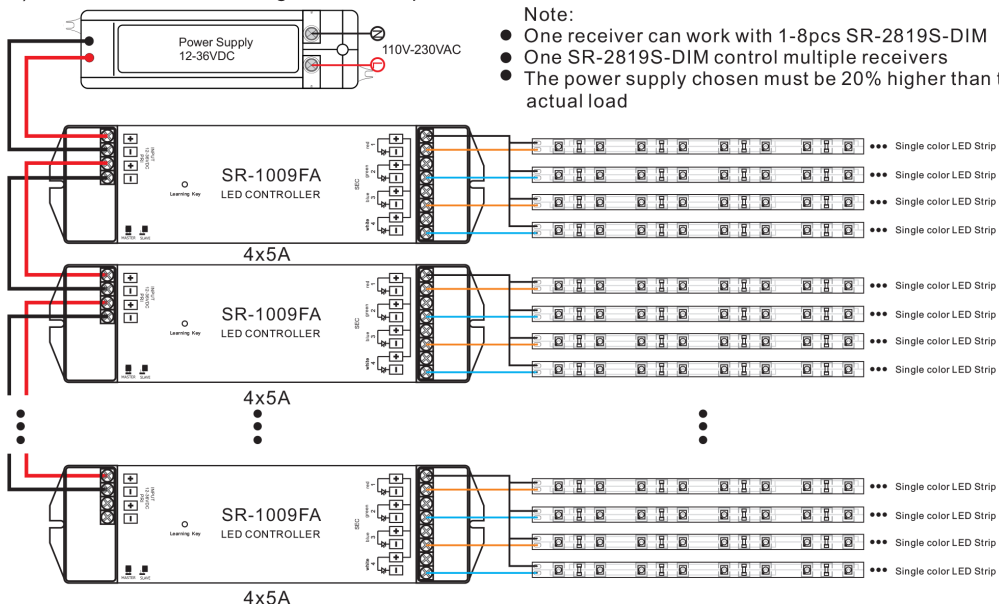
- Operation Voltage: 4.5V DC
- Zones: 4
- Signal: WIFI/ RF
- Location: Dry (IP20)

## Wiring Diagram

1) Receiver Connection Diagram for Single Unit



2) Receiver Connection Diagram for Multiple Units

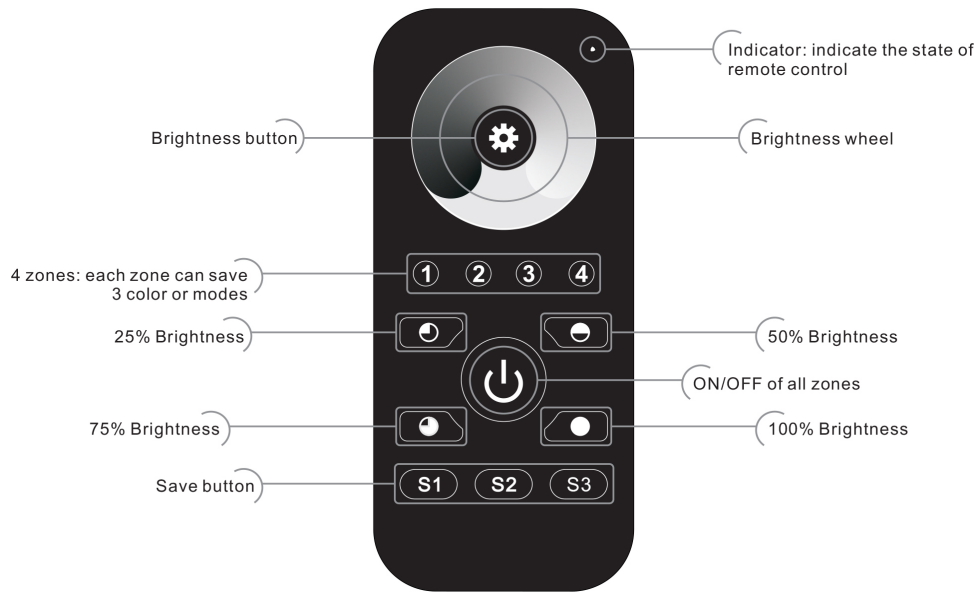


Note:

- One receiver can work with 1-8pcs SR-2819S-DIM
- One SR-2819S-DIM control multiple receivers
- The power supply chosen must be 20% higher than the actual load

---

## Keypad Layout



---

## Operation

### How to Configure:

- Do wiring according to connection diagram
- Wake up the remote control by touching ON/OFF button.
- Press learning button on receiver.
- Touch any zone button on remote control.
- Then touch brightness wheel.
- Connected LED light will blink to confirm zone designation.
- Press at learning button on receiver over 5 seconds until LED light flash, then delete the learned ID.

Note 1: To choose a master from slaves by jumper for each zone. Short circuit for master. Open circuit for slave.

Each zone only can set one master controller. After a period of time, the master will do synchronization operation to keep the same color or mode of all slaves in one zone.

Note 2: Each remote control 4 zones (areas) receivers, each area can be learned as many receivers as we can.

Each receiver maximally can be controlled by 8 different remote controllers.

### Dim wheel

Choose zone number 1, 2, 3, or 4, for example 1, and 3, then touch Brightness Wheel, choose the brightness you want, zone 1 and 3 will indicate corresponding brightness as touched.

### Brightness Up & Down Button

Long press Brightness Button to dim down/up brightness, the dimming direction will change every time after pressing switch. For example, the first long press is brightness up, second long press dims down.

### Brightness level button

Select zone from 1, 2, 3, and 4 buttons. Press 25% Brightness Button, the corresponding zones will be 25% brightness. Press 50% Brightness Button, the corresponding zones will be 50% brightness. Press 75% Brightness Button, the corresponding zones will be 75% brightness. Press 100% Brightness Button, the corresponding zones will be 100% brightness.

### Save and recall button

1. Save Color temperature: select zones from 1, 2, 3, 4 buttons → adjust the color temperature and brightness → long press one save button from 1, 2, 3, 4 buttons for 2-3 second → LED light flashing twice indicates successful save.
2. Recall: select zone button which we want recall from 1, 2, 3, 4 buttons, then short press save button S1, S2, S3.