



DMX Touch Wall Controller

AL-60-03-0003



This DMX Touch Controller is used with the Wireless Receiver (sold separately) to control the color mode, speed, and brightness of both Radialux RGB and RGB-W tape lights. It features a touch-sensitive glass interface and the ability to create up to three separate zones of lighting, and its easy to install into a standard wall outlet.

Specifications

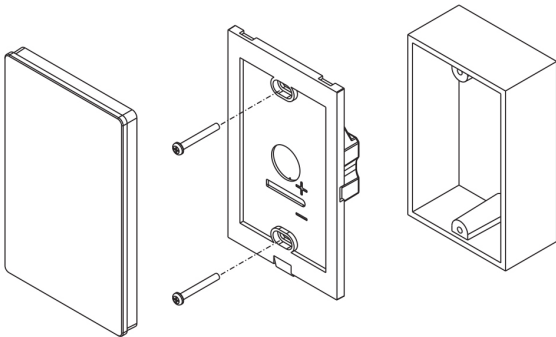
- Voltage: 24V
- Zones: 3
- Signal: DMX512
- Location: Dry ((P20)

Operation

How to Set DMX Address ?

- One SR-2812-US3 can control 3 zones separately or Synchronously
- Each Zone can control DMX Decoders like our SR-2102B as many as you wish
- All DMX Decoders
 - In Zone 1 set as 001
 - In Zone 2 set as 005
 - In Zone 3 set as 009
- Note: one DMX Decoder has 4 channels take 4 DMX Address, zone one take 001, 002, 003, 004: zone 2 take
- 005,006.007.008, zone 3 take 009. 010.011.012

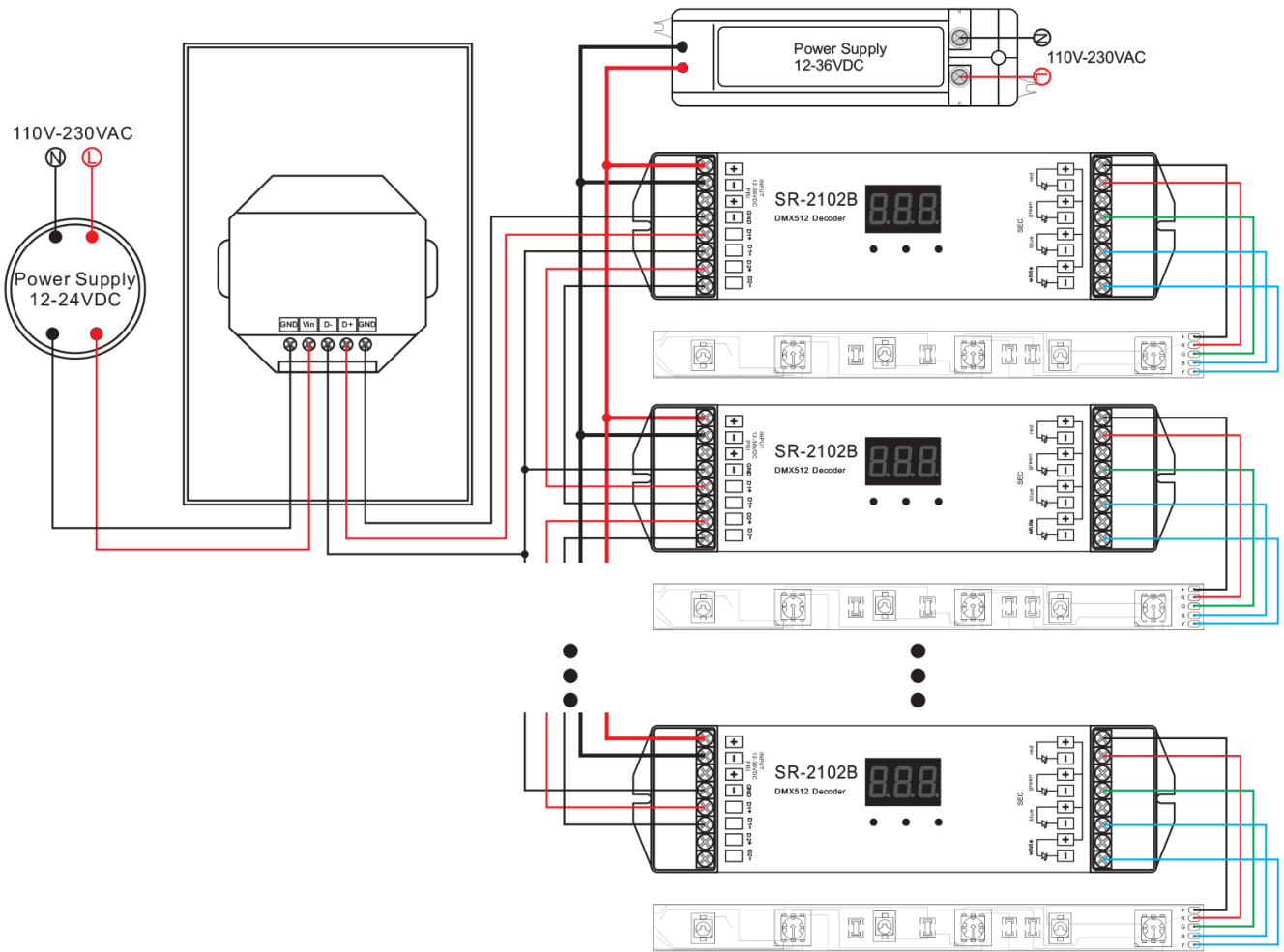
Installation



Safety & Warnings

- The product should be installed and serviced by a qualified technician.
- IP20. Please avoid the sun and rain. When installed outdoors, please ensure controller is mounted in a waterproof enclosure.
- Always be sure to mount this unit in an area with proper ventilation to avoid overheating.
- Please check if the output voltage of any LED power supplies used, comply with the working voltage of the product.
- Never connect any cables while power is on and always assure correct connections to avoid short circuits before switching on.
- Please ensure that the cable is secured tightly in the connector.

Wiring Diagram



Keypad Layout

