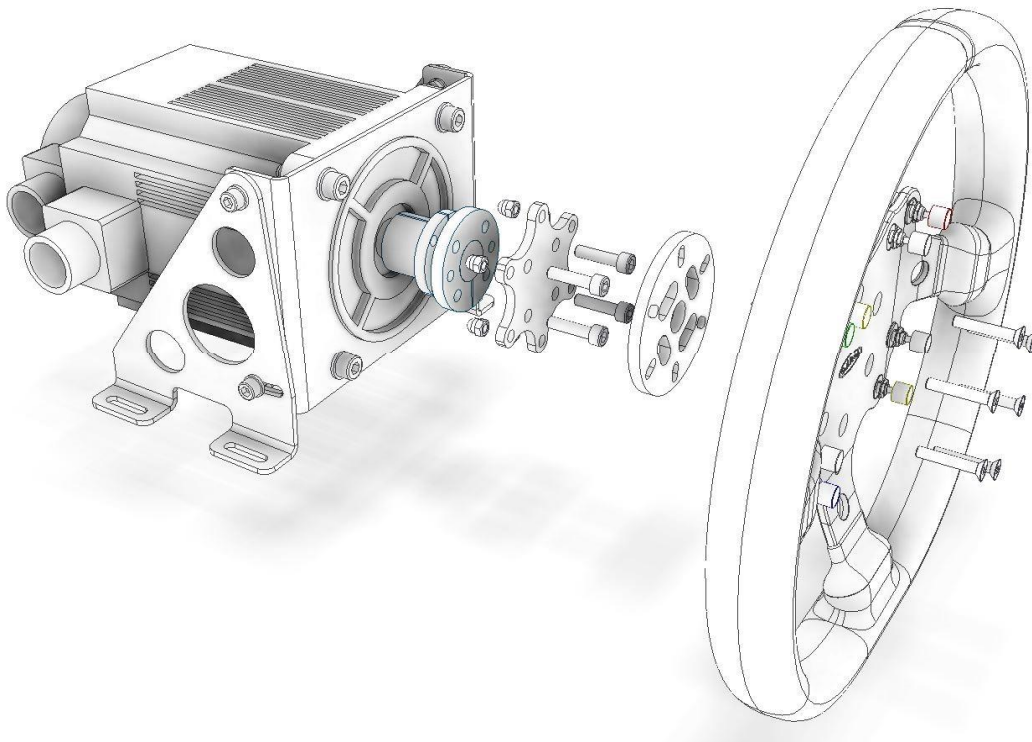


# Fitting the Motor shaft to Steering Wheel Adapter

The “Motor Shaft to Steering Wheel adapter” enables the mounting of a regular 70mm PCD steering wheel (Momo, Sparco, OMP etc.) to the 22mm diameter shafts of the 130ST series MiGE motors. It consists of

- 1x Com-B 22x32mm bushing
- 1x bushing adapter plate
- 4x M6 bolts
- 1x spacer plate (black)
- 6x M5 bolts
- 6x M5 nuts

*Figure 1: Overview of the mounting process*



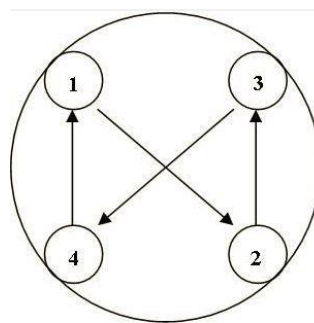
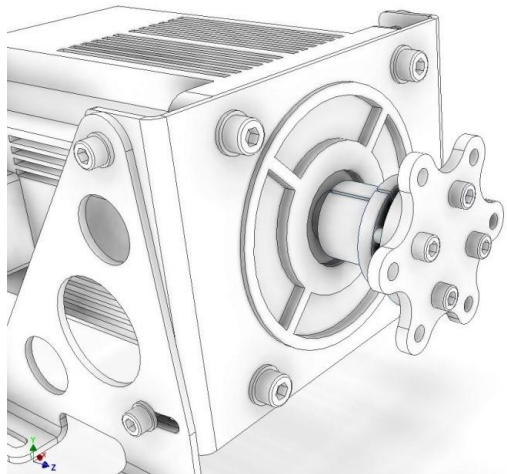
First ensure both the motor shaft and bushing are free of any particles by rubbing with a clean cloth.

Align the holes in the bushing adapter plate with the four holes with recessed threads in the bushing. Insert the 4 M6 bolts and hand-tighten.

Place the bushing/plate assembly over the motor shaft ensuring it sits slightly proud (1-2mm).

Tighten the bolts in an alternating pattern as shown below.

Figure 2: Tightening the bolts



**Four-Bolt**

With each tightening sequence the 2 pieces of the bushing are pulled closer. Stop tightening when the gap closes to 1-2mm.

Align the spacer plate over the exposed M6 bolt heads and mount your 70mm PCD steering wheel or quick release using the M5 nuts and bolts

