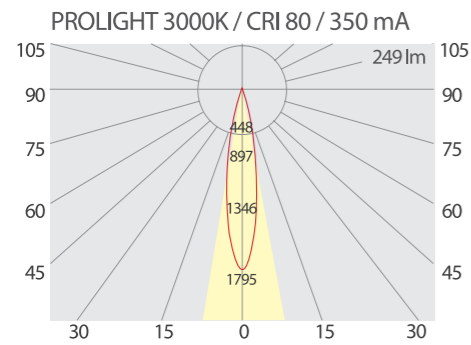
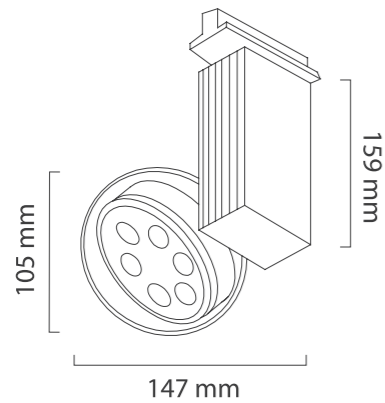




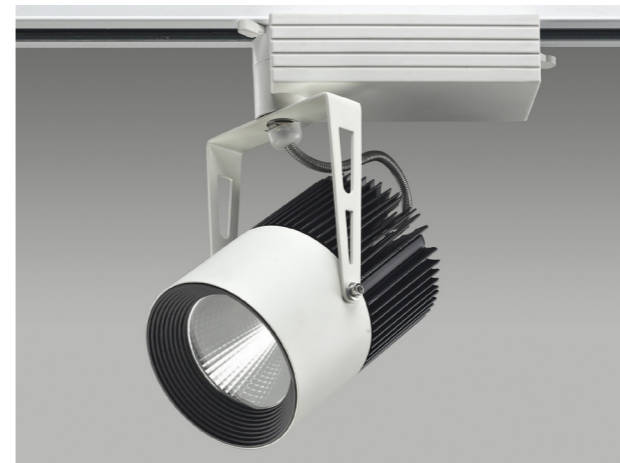
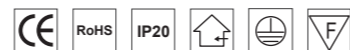
TR Series-1

Technical Specification

Material: Aluminium
 Include 15/38/60D Lens, LED Driver, 2/3 Wire Track Adaptor, LED 1W*6
 Finish: Painted
 Size: 147 x147 x159mm
 Luminous efficacy: 75-80lm/W
 Operating temperature: -20°C~40°C
 Operating humidity: 30~90%
 Life: 30,000 h



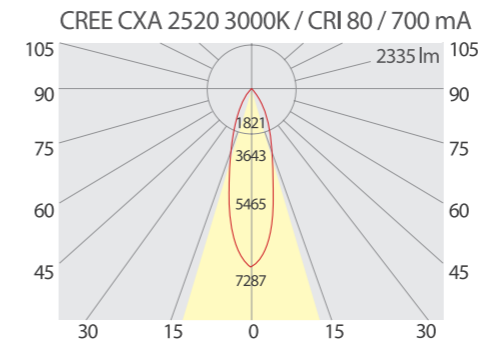
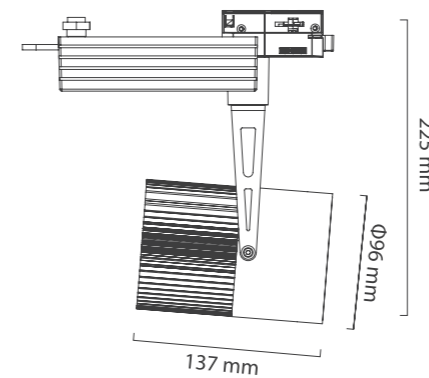
Model	LED	Beam Angle	LED Power	For. Current	For. Voltage	CRI	Finish
TLS-7.2-15-EVS6-1	EDISON EDEX-1LA5 6 PCS/PROLIGHT PM2B-1LVE 6 PCS	15°	7.2 W	350 mA	21 V	≥ 80	Black White Grey
TLS-7.2-38-EVS6-1		38°					
TLS-7.2-60-EVS6-1		60°					



TR Series-2

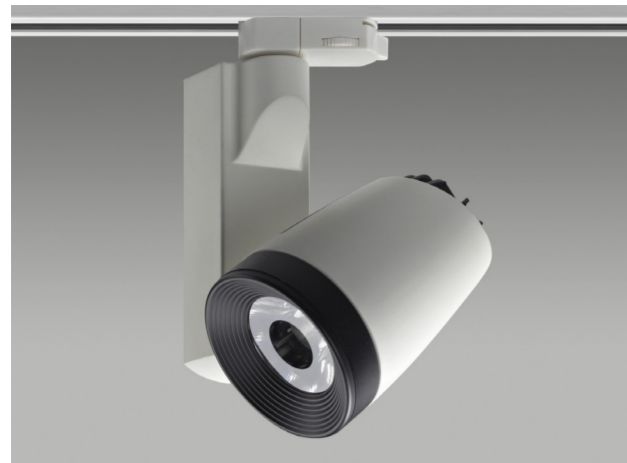
Technical Specification

Material: Aluminium
 Include 3 Wire Track Adaptor, 20W LED, 24D Reflector, LED Driver
 LED: Cree CXA 2520
 Size: Ø96 x194 x 225mm
 Finish: Painted
 Luminous efficacy: 75-80lm/W
 Operating temperature: -20°C~40°C
 Operating humidity: 30~90%
 Life: 30,000 h



Model	LED	Beam Angle	LED Power	For. Current	For. Voltage	CRI	Finish
TLS-26-24-EVS22-1	CREE CXA 2520 1 PCS	24°	26 W	700 mA	37 V	≥ 80	Matt White

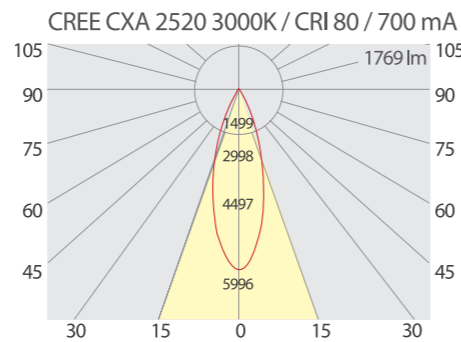
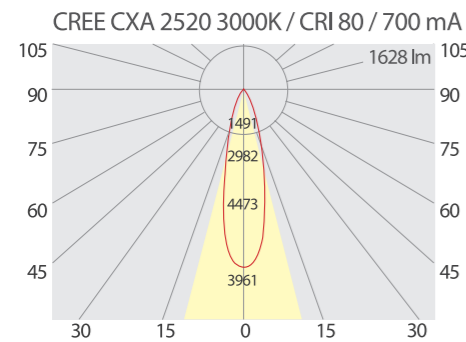
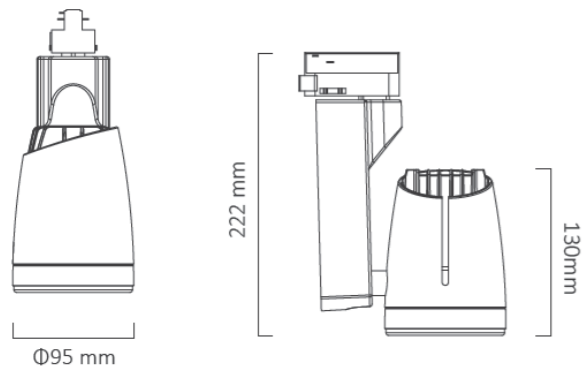




TR Series-3

Technical Specification

Material: Aluminium+PC
 Include 20W LED X 1PC, 3 Wire Track Adaptor, LED Driver, 22/30D Lens
 Size: 222mm, Head size: Ø95x130mm
 Finish: White
 Luminous efficacy: 75-80lm/W
 Operating temperature: -20°C~40°C
 Operating humidity: 30~90%
 Life: 30,000 h



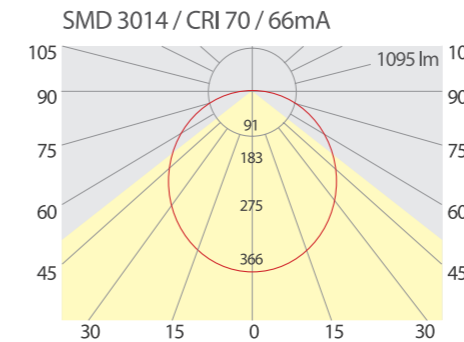
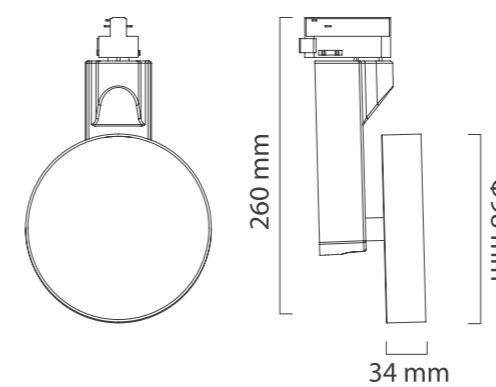
Model	LED	Beam Angle	LED Power	For. Current	For. Voltage	CRI	Finish
TLC-26-22-EVS37	CREE CXA 2520 1 PCS	22°	26 W	700 mA	37 V	≥ 80	Matt White
TLC-26-30-EVS37		30°					
TLC-33-19-EVS38	CREE CXA 1830 / 2530 1 PCS	19°	33 W	900 mA	220 V	≥ 70	
TLC-33-27-EVS38		27°					



TR Series-4

Technical Specification

Material: Aluminium+PC
 Include SMD3014 x 110PCS, 3 Wire Track Adaptor/Gear Box (LED Driver)
 Size: 260mm, Head size: Ø98 x 34mm
 Finish: White
 Luminous efficacy: 75-80lm/W
 Operating temperature: -20°C~40°C
 Operating humidity: 30~90%
 Life: 30,000 h



Model	LED	Beam Angle	LED Power	For. Current	For. Voltage	CRI	Finish
TLS-15-11-EVS40-1	SMD 3014	110°	15 W	65 mA	220 V	≥ 70	Matt White
TLS-12-24-EVS40-2							

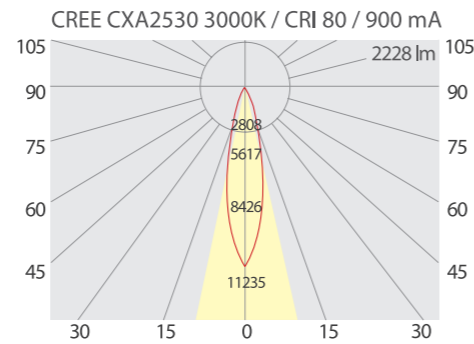
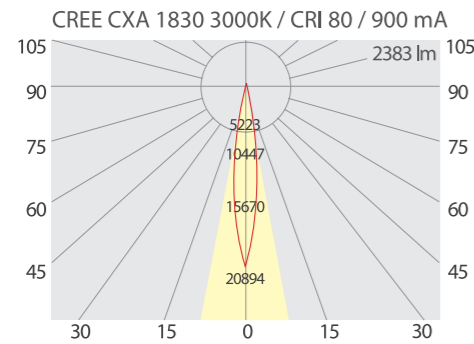
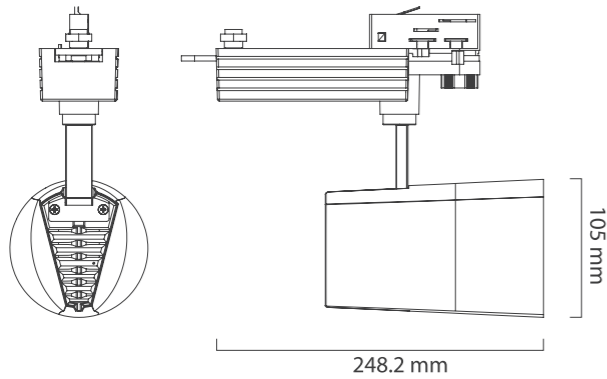




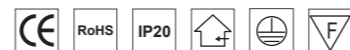
TR Series-5

Technical Specification

Material: Aluminium
 Include 15/25/40D Lens, AC Driver, 2/3 Wire Track Adaptor, LED 1W*12Pcs
 Size: 158 x 120 x 159mm
 Finish: Painted
 Luminous efficacy: 75-80lm/W
 Operating temperature: -20°C~40°C
 Operating humidity: 30~90%
 Life: 30,000 h



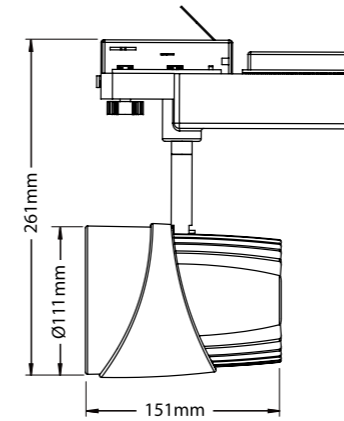
Model	LED	Beam Angle	LED Power	For. Current	For. Voltage	CRI	Finish
TLC-33-15-EVS42-1	CREE CXA 1830 / 2530 1 PCS	15°	35 W	900 mA	37 V	≥ 80	Matt White
TLC-33-24-EVS42-2		24°					



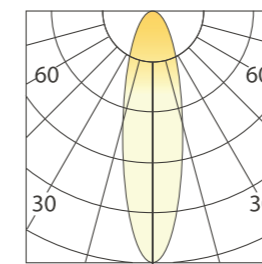
TR Series-6

Technical Specification

Size: 108.6 x 149 x 198mm
 Finish: White color
 Luminous efficacy: 75-80lm/W
 Operating temperature: -20°C~40°C
 Operating humidity: 30~90%
 Life: 30,000 h

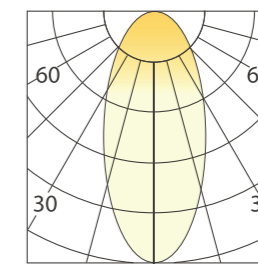


B.A.25° (F.A.60°)



Lux (Typ).

B.A.45° (F.A.80°)



Lux (Typ).

Model	Power	Beam Angles	Field Angles	CCT(Typ.)	Lux* @ 1m (Typ.)	Lm (Typ.)
TLC-40-25-LN4061	40W	25°	60°	5700K	10000	3500
TLC-40-25-LN4062				4000K		
TLC-40-25-LN4063				3000K		
TLC-40-45-LN4081	40W	45°	60°	5700K	4500	3500
TLC-40-45-LN4082				4000K		
TLC-40-45-LN4083				3000K		

