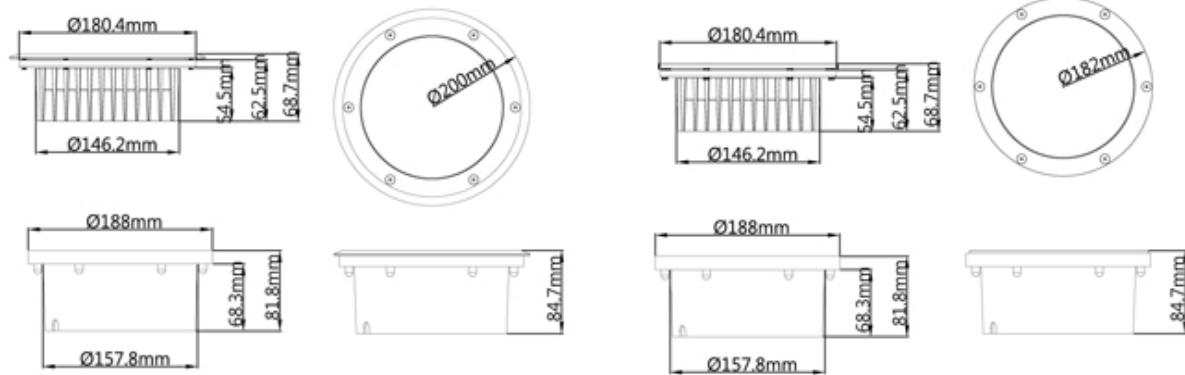




BL Series-2

Technical Specification

HIGH POWER LED
 Cree High Power.
 Die casting Aluminium.
 Stainless Steel Bezel.
 T=8mm Tempered Glass.
 External Auto addressing DMX512 decoder available.
 Standard DMX Interface: Common +.
 Mounting Sleeve: POM
 Transparent glass or Diffused glass
 Ø20cm Stainless Steel Chamfered Bezel.



P14-1

P14-9

Product	Dimension (mm)	LED Quality	Watt (W)	Voltage (V)	Beam Angle
BLC-P14-1- H18/20	Ø182x68.7	1W x 18	20	DC24V/AC100~230V	15°/25°/45°/60°/120°
BLC-P14-1- H18/30		1.5W x 18	30	DC24V	
BLC-P14-9-H18/20		1W x 18	20	DC24V/AC100~230V	
BLC-P14-9-H18/30		1.5W x 18	30	DC24V	

SPIKES

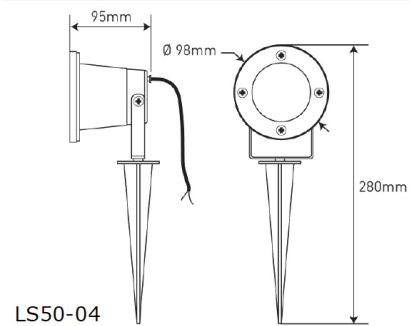




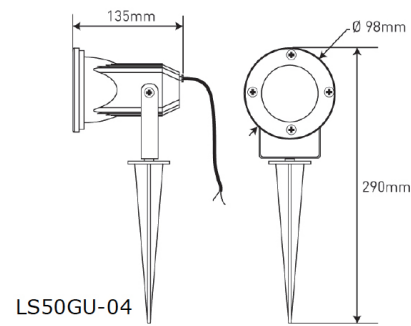
Spikes Series-1

Features

- Complete with stirrup bracket
- Adjustable head
- Die-cast aluminium construction
- Mains or low voltage options allow a choice of lamps up to 50W
- Pre-glanded and wired with 1m cable
- Trim and waterproof seal secured with 4 screws to body



LS50-04



LS50GU-04

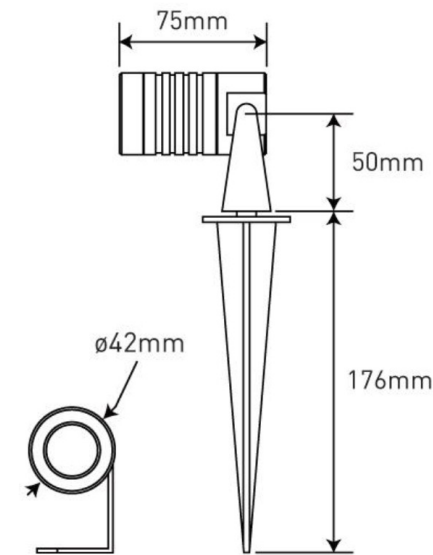
Model	Diameter	Depth	Height	Max Power	Weight	Color Finish
SLS-LS50-04	98 mm	95 mm	280 mm	50 W	0.4 Kg	Black
SLS-LS50GU-04		135 mm	290 mm		0.5 Kg	



Spikes Series-2

Features

- 2 in 1 features
- Wall bracket with predrilled hole
- Garden Spike
- Single high powered 3W LED
- 50,000 hour average lamp life
- Cool running
- No UV
- Integral driver
- Die-cast aluminium body
- Toughened glass



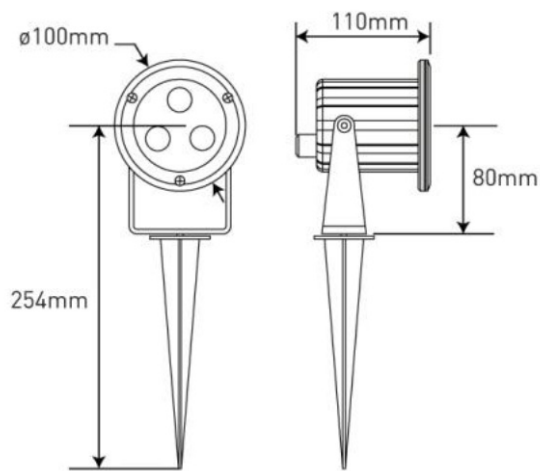
Model	Diameter	Depth	Height	Max Power
SLS-R2IN13W-13	42 mm	75 mm	226 mm	3 W



Spikes Series-3

Features

- 3 in 1 features
- Wall bracket with predrilled hole
- Garden Spike
- Recessed Sleeve
- Single high powered 3W LED
- 50,000 hour average lamp life
- Cool running
- No UV
- Integral driver
- Die-cast aluminium body
- Toughened glass



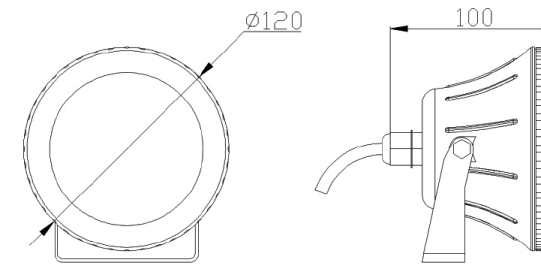
Model	Diameter	Depth	Height	Max Power	Weight
SLS-R3IN13W	100 mm	110 mm	264 mm	3 W	0.3 Kg



Spikes Series-4

Features

- 2 in 1 features
- Wall bracket with predrilled hole
- Garden spike
- 50 x 0.06 watt (3 watt) warm white Led's
- 50,000 hour average lamp life
- Cool running
- No UV
- Integral driver
- Completely Nylon Body
- Toughened glass



Model	Width	Height	Depth	Power	Weight
SLS-R503LED-23	120 mm	140 mm	100 mm	3 W	0.5 Kg

