

Sliding Fiber Optic Patch Panel

Introduction

The Opterna Fiber Optic 19" Sliding Patch Panel has been designed to facilitate internal fiber management and also to maximize fiber density in 1U, 2U heights.

The sliding tray provides easy access to fiber cabling, making this panel ideal for 'Pay as you Grow' applications. The mild steel construction and its black or grey powder coated finish makes this panel a high quality solution for any fiber optic installation, including Data Centers, FTTX and Telecommunications.

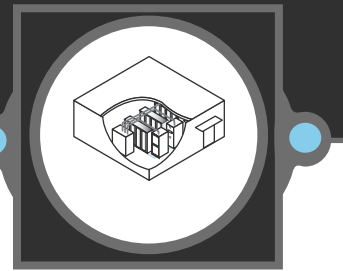
The panel supports 24 way and 48 way configurations in SC Simplex, SC Duplex, ST/FC (D cut out), LC Duplex (SC simplex foot print), LC Quad (SC Duplex foot print). Versions are available with MTP MPO cutouts on the back for use with pre-terminated MTP/MPO trunks.

Features

➔ Sliding Fiber Optic Patch Panel

- Can be installed within standard 19" racks and wall mounted enclosures according to IEC 297-3 specification
- The universal design allows using both splice trays with one (central) and with two pins
- Rear of panel offers a range of apertures to accommodate a variety of gland configurations
- Optimum balance between panel depth and fiber management
- The base panel is designed for customized fiber management and splicing solutions
- Various anchoring points for incoming cables
- Front face of the panel includes a port identification strip
- Fiber management kits and splice cassette are offered as accessories
- All panels are available pre-loaded with adapters, pigtails and splice accessories





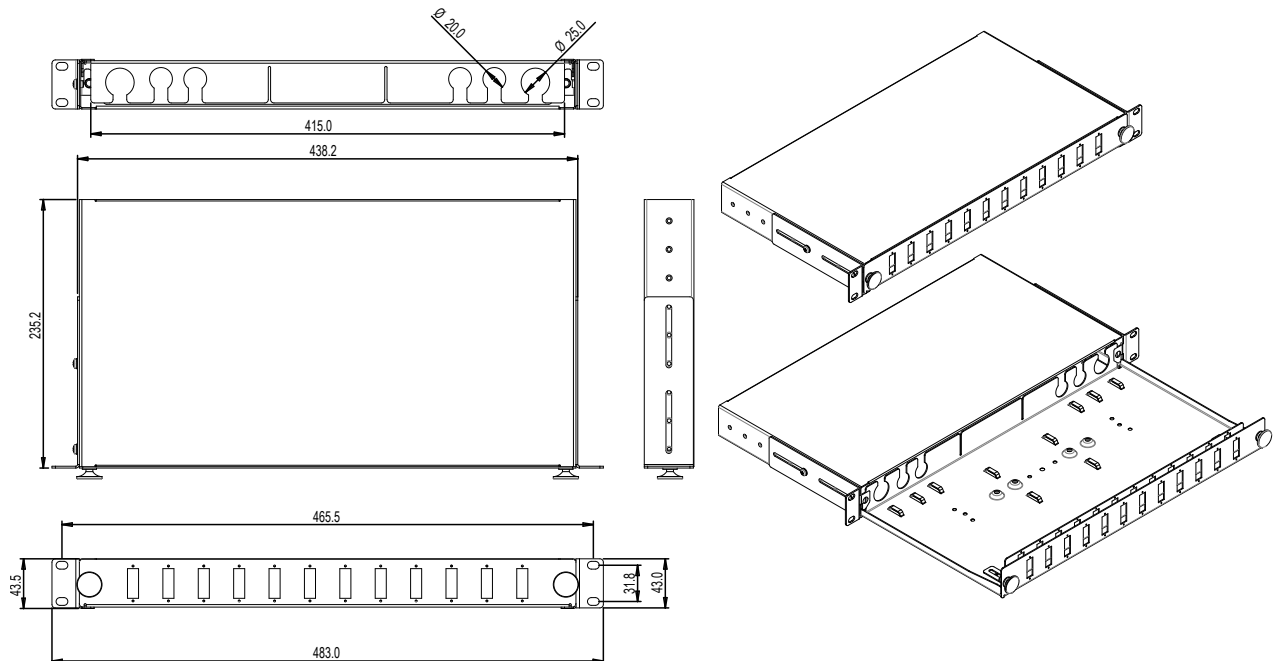
Sliding Fiber Optic Patch Panel

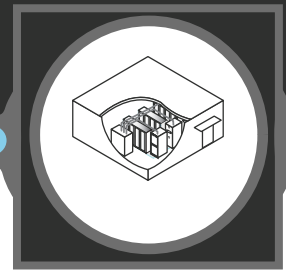
Applications:

- Offers solution for optical splicing and patching
- Specifically designed for Data Center, communications room and telecommunication applications

Drawing:

1U Sliding Fiber Optic Patch Panel without MTP/MPO cutouts on the back

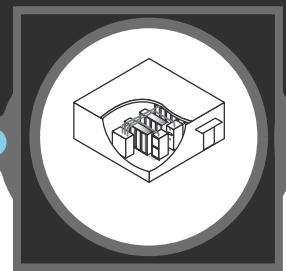




Sliding Fiber Optic Patch Panel

Ordering info:

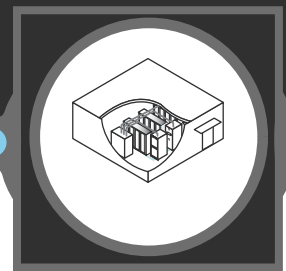
Ordering information for panel without MTP/MPO cutouts on the back	
Part Number	Item Description
FP-SL-SCDX-012-1B	Fiber Optic 19" 1U Unloaded Sliding Patch Panel 24 way 12 SC Duplex cut out, Black color
FP-SL-SCSX-024-1B	Fiber Optic 19" 1U Unloaded Sliding Patch Panel 24 way 24 SC Simplex cut out, Black color
FP-SL-SCDX-024-1B	Fiber Optic 19" 1U Unloaded Sliding Patch Panel 48 way 24 SC Duplex cut out, Black color
FP-SL-SCSX-048-2B	Fiber Optic 19" 2U Unloaded Sliding Patch Panel 48 way 48 SC Simplex cut out, Black color
FP-SL-DCSX-024-1B	Fiber Optic 19" 1U Unloaded Sliding Patch Panel 24way 24 ST/FC Simplex D cut out, Black color
FP-SL-DCSX-048-2B	Fiber Optic 19" 2U Unloaded Sliding Patch Panel 48 way, 48 ST/FC Simplex D cut out, Black color
FP-SL-SCSX-096-4B	Fiber Optic 19" 4U Unloaded Sliding Patch Panel 96 way, 96 SC Simplex cut out, Black color
FP-SL-DCSX-096-4B	Fiber Optic 19" 4U Unloaded Sliding Patch Panel 96 way, 96 ST/FC Simplex cut out, Black color
FP-SL-SCDX-012-1G	Fiber Optic 19" 1U Unloaded Sliding Patch Panel 24 way,12 SC Duplex cut out, Gray color.
FP-SL-SCSX-024-1G	Fiber Optic 19" 1U Unloaded Sliding Patch Panel 24 way, 24 SC Simplex cut out, Gray color
FP-SL-SCDX-024-1G	Fiber Optic 19" 1U Unloaded Sliding Patch Panel 48 way, 24 SC Duplex cut out, Gray color
FP-SL-SCSX-048-2G	Fiber Optic 19" 2U Unloaded Sliding Patch Panel 48 way, 48 SC Simplex cut out, Gray color
FP-SL-SCDX-024-2G	Fiber Optic 19" 2U Unloaded Sliding Patch Panel 48 way, 24 S C Duplex cut out, Gray color
FP-SL-DCSX-024-1G	Fiber Optic 19" 1U Unloaded Sliding Patch Panel 24 way, 24 ST/FC Simplex D cut out, Gray color
FP-SL-DCSX-048-2G	Fiber Optic 19" 2U Unloaded Sliding Patch Panel 48 way, 48 ST/FC Simplex D cut out, Gray color
FP-SL-SCSX-096-4G	Fiber Optic 19" 4U Unloaded Sliding Patch Panel 96 way, 96 SC Simplex cut out, Gray color
FP-SL-DCSX-096-4G	Fiber Optic 19" 4U Unloaded Sliding Patch Panel 96 way, 96 ST/FC Simplex cut out, Gray color



Sliding Fiber Optic Patch Panel

Ordering info:

Ordering information for panel with MTP/MPO cutouts on the back	
Part Number	Item Description
FP-SL-SCDXM-012-1B	Fiber Optic 19" 1U Unloaded Sliding Patch Panel 24 way 12 SC Duplex cut out, Black color
FP-SL-SCSXM-024-1B	Fiber Optic 19" 1U Unloaded Sliding Patch Panel 24 way 24 SC Simplex cut out, Black color
FP-SL-SCDXM-024-1B	Fiber Optic 19" 1U Unloaded Sliding Patch Panel 48 way 24 SC Duplex cut out, Black color
FP-SL-SCSXM -048-2B	Fiber Optic 19" 2U Unloaded Sliding Patch Panel 48 way 48 SC Simplex cut out, Black color
FP-SL-DCSXM-024-1B	Fiber Optic 19" 1U Unloaded Sliding Patch Panel 24way 24 ST/FC Simplex D cut out, Black color
FP-SL-DCSXM-048-2B	Fiber Optic 19" 2U Unloaded Sliding Patch Panel 48 way, 48 ST/FC Simplex D cut out, Black color
FP-SL-SCDXM-012-1G	Fiber Optic 19" 1U Unloaded Sliding Patch Panel 24 way,12 SC Duplex cut out, Gray color
FP-SL-SCSXM-024-1G	Fiber Optic 19" 1U Unloaded Sliding Patch Panel 24 way, 24 SC Simplex cut out, Gray color
FP-SL-SCDXM-024-1G	Fiber Optic 19" 1U Unloaded Sliding Patch Panel 48 way, 24 SC Duplex cut out, Gray color
FP-SL-SCSXM-048-2G	Fiber Optic 19" 2U Unloaded Sliding Patch Panel 48 way, 48 SC Simplex cut out, Gray color
FP-SL-SCDXM-024-2G	Fiber Optic 19" 2U Unloaded Sliding Patch Panel 48 way, 24 S C Duplex cut out, Gray color
FP-SL-DCSXM-024-1G	Fiber Optic 19" 1U Unloaded Sliding Patch Panel 24 way, 24 ST/FC Simplex D cut out, Gray color
FP-SL-DCSXM-048-2G	Fiber Optic 19" 2U Unloaded Sliding Patch Panel 48 way, 48 ST/FC Simplex D cut out, Gray color



Sliding Fiber Optic Patch Panel

Accessories:

Part Number	Item Description
OPFC-STGR24	Universal Opterna Splice Tray for two splice holders, unloaded
OPFC-STGR24-L	Cover for OP-FC-STGR-24
OPFC-STGR24-CH	Holder for 12 metal crimp splice protectors
OPFC-STGR24-SH	Holder for 6 heat shrink splice protectors
OPFC-STGR24-CH	Stacking hinge for OPFC-STGR24
SPTR-1224-BK	12 way stackable splice cassette with splice holder and cover 180mm(L) x 113mm(W) x 13mm(H)
SPTR-1224-WH	24 way Stackable Splice Cassette with splice holder and clear cover 225mm(L) x 108mm(W) x 13mm(H)
SPTR-1224-BL	24 way Stackable Splice Cassette with splice holder and cover 160mm (L) x 105mm (W) x 10mm (H)
FP-AC-SB-24	24 way Splice Bridge with Adhesive Strip and Cover
FP-AC-CG-13B	PG13.5 (5-9mm) Size Cable Gland & Back Nut, Black Nylon material
FP-AC-CG-16B	PG16 (10-14mm) Size Cable Gland & Back Nut, Black Nylon material
FP-AC-BC	Bunny Clip
FP-AC-FMK	Fiber Management Kit consists of 1 x FP-AC-CG-13B and 8 x FP-AC-BC
FP-AC-BLNK-SCSX	SC Simplex Blank cover
FP-AC-BLNK-SCDX	SC Duplex Blank cover
FP-AC-BLNK-DCSX	ST/FC Simplex Blank cover
PSCL-600-15-30	60mm Clear Fusion Splice Protector Sleeve, 1.5 mm stainless steel rod, 3.0mm diameter after heat shrinking
PSCL-600-12-25	60mm Clear Fusion Splice Protector Sleeve, 1.2 mm stainless steel rod, 2.5mm diameter after heat shrinking

Copyright 2014, Opterna International Corp. All rights reserved. The information contained herein is subject to change without notice. The Opterna name and logo are registered trademarks of Opterna Technology Limited.