

Fiber Optic Adaptors

Introduction

Opterna adaptors are manufactured using high quality, resilient sleeves which provide precise interconnectivity of connector ferrules resulting in low insertion and return loss. The sleeves are enclosed in high quality engineering plastic designed for all fiber optic connector types ensuring the corresponding connector parts dock well and are securely held.

Opterna adaptors are available in simplex, duplex and quad options which cater to the intermateability requirements of any fiber network such as WAN, LAN, CATV, FTTx and testing. The adaptors are available in standard colors to distinguish between singlemode PC/APC and multimode PC types. Opterna adaptors conform strictly to international standards and are compatible with other manufacturers' standard connectors and interface products.

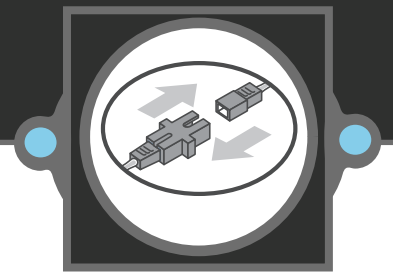
Features:



Fiber Optic Adaptors

- Available for all Multimode and Singlemode types
- Available in plastic and metal housing
- Available in symmetrical and hybrid types
- High quality resilient ceramic and metal sleeves
- Easy installation with simple clamping mechanism
- Color coded for easy identification
- Insertion loss: < 0.20 dB (connector related)
- Return loss: > 45 dB (UPC)
- Return loss: > 60 dB (APC)
- Mating Durability: 1000 cycles; <0.2 dB change
- Temperature range: -40 to +80°C
- IEC 61753, EIA/TIA and GR-326-CORE compliant
- ROHS compliant



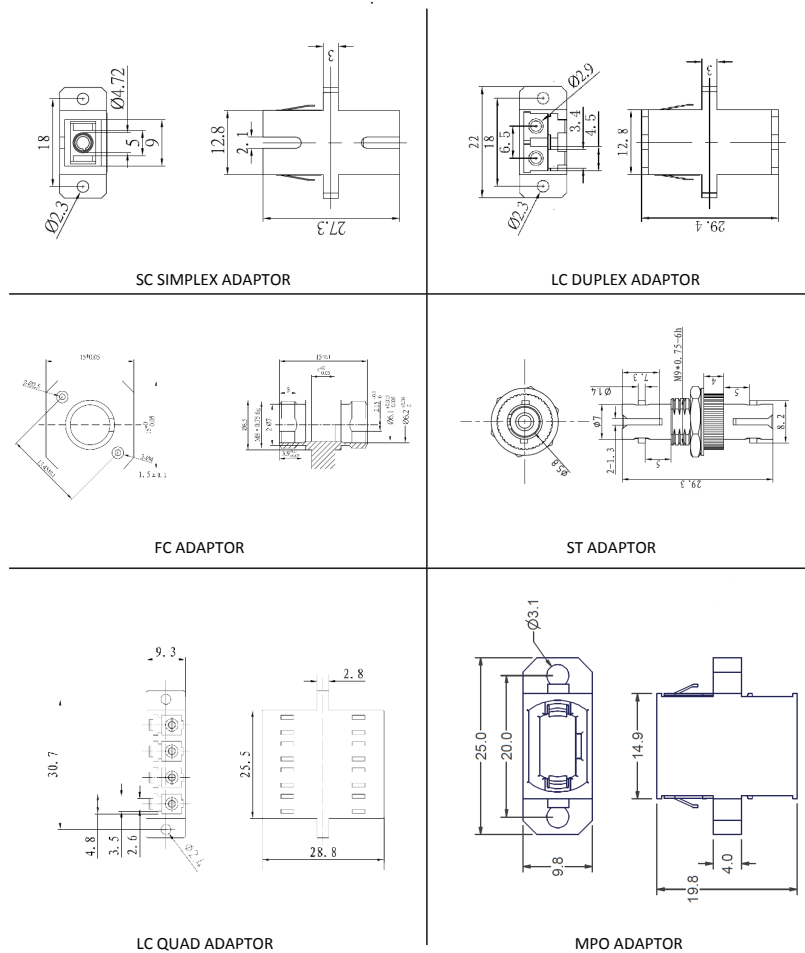


Fiber Optic Adaptors

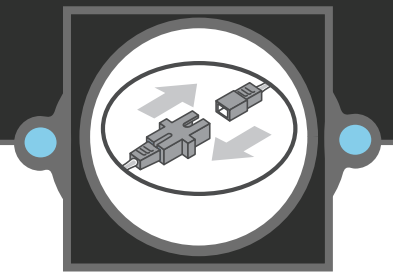
Applications:

- Patchpanel and wall box connection interface
- FTTX deployments
- Pre-terminated assembly interconnection
- Telecoms, Data Centers, CATV, LAN & WAN
- Testing and inspection

Size & Dimensions:



Note: Other adaptor drawings available on request



Fiber Optic Adaptors

Ordering Info:

AD		Connector Finish		Sleeve Type		Configuration		Housing Color	
Adapter Configuration									
ST	ST	P	PC	P	Phosphor Bronze	S	Simplex	BG	Beige
SC	SC flanged	A	APC	C	Zirconia	D	Duplex	BL	Blue
SF	SC non-flanged			X	Adaptors without sleeves	Q	Quad	GR	Green
FC	FC Single D type					N	NA	AQ	Aqua
FD	FC Double D type							HV	Heather violet
FS	FC Square type							BK	Black
LC	LC on SC footprint flanged							ME	Metal
LF	LC on SC footprint non-flanged								
LR	LC on RJ 45 footprint flanged								
LN	LC on RJ 45 footprint non-flanged								
MU	MU								
ME	MTP ELITE								
MX	MPO PREMIUM								
MT	MTP								
MP	MPO								
MJ	MTRJ								
SA	SMA								

Copyright 2014, Opterna International Corp. All rights reserved. The information contained herein is subject to change without notice. The Opterna name and logo are registered trademarks of Opterna Technology Limited.