

FLOOD LIGHTS

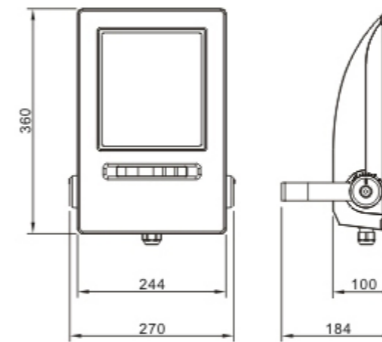


FL Series-1



Technical Specification

Total Lighting output: 3000 / 4500 / 6000LM
 Power Factor: >0.95PF
 Operating Temperature: -25°~45°
 Life Time: 30000hrs
 Die cast aluminium body
 High purity Aluminium reflector
 Tempered glass



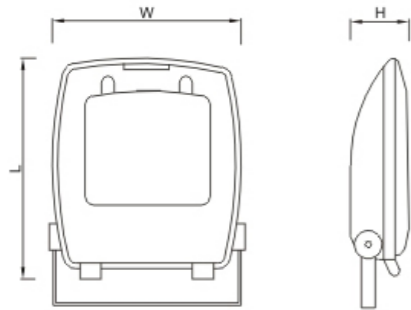
Model	Power	Input Voltage	Color Temperature	CRI	Luminaire efficiency
FLC-40-SS3100A	40W	90-260V/ 50Hz	3000 / 6000K	>70RA	75LM/W
FLC-60-SS3100A	60W				
FLC-80-SS3100A	80W				



FL Series-2

Technical Specification

Total Lighting output: 700 LM/1400 LM/2100 LM/
3500 LM/7000 LM/8400 LM
Power Factor: >0.95PF
Operating Temperature: -30°~50°
Protection Level: 65 IP
Life Time: 30000hrs
Die cast aluminium body
Aluminium reflector
Tempered glass



Sl	Model	L (mm)	W (mm)	H (mm)
1	10W	184	167	55
2	30W	293	240	82
3	50W	358	320	106
4	100/120W	422	380	128
5	200W	620	480	155

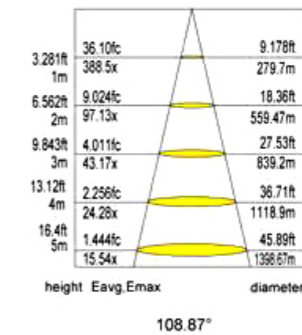
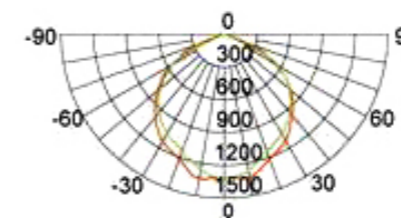
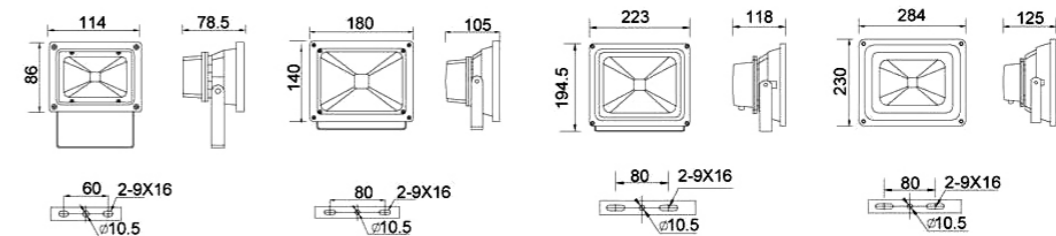
Model	Power	Input Voltage	Color Temperature	CRI	Luminaire efficiency
FLC-10-SS2157	10W	90-260V/ 50Hz	3000 / 6000K	>70RA	75LM/W
FLC-20-SS2157	20W				
FLC-30-SS2157	30W				
FLC-50-SS2157	50W				
FLC-100-SS2157	100W				
FLC-120-SS2157	120W				
FLC-200-SS2157	200W				



FL Series-3

Product Characteristic:

- High pressure die-casting aluminium housing, with the capability of impact resistance and long lifetime, just need to loosen the screws of the frames to open the light fixture and maintain the light source;
- Sealing gasket: heatproof silicon sealing gasket surround the slots of whole housing providing high performance of protection against moisture and contaminant;
- Reflector: high purity mirror aluminium symmetric reflector by external anodic oxidation treatment, with good performance of reflecting effect;
- Installation: heavy-duty stainless steel bracket suitable for pendant mounted or ceiling mounted, optional for kinds of projection angle adjustment.



Model	Power	Light Efficiency	Color Temperature
FLC-10-YS306A	10W/AC90-277V	>100lm/W	4000K, 5000K, 6000K
FLC-20-YS306B	20W/AC90-277V		
FLC-30-YS306C	30W/AC90-277V		
FLC-50-YS306D	50W/AC90-277V		

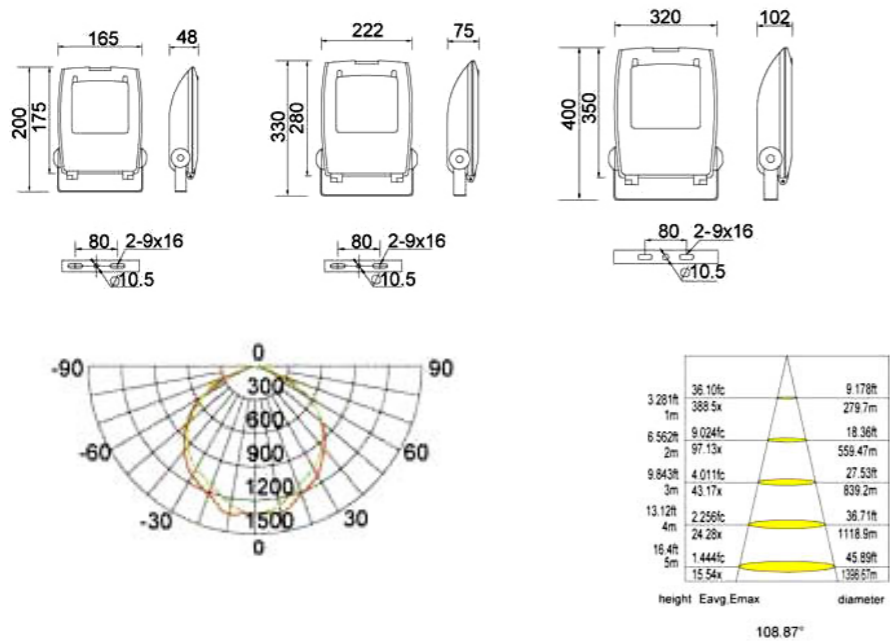




FL Series-4

Product Characteristic:

- High pressure die-casting aluminium housing, with the capability of impact resistance and long lifetime, just need to loosen the screws of the frames to open the light fixture and maintain the light source;
- Sealing gasket: heatproof silicon sealing gasket surround the slots of whole housing providing high performance of protection against moisture and contaminant;
- Reflector: high purity mirror aluminium symmetric reflector by external anodic oxidation treatment, with good performance of reflecting effect;
- Installation: heavy-duty stainless steel bracket suitable for pendant mounted or ceiling mounted, optional for kinds of projection angle adjustment.



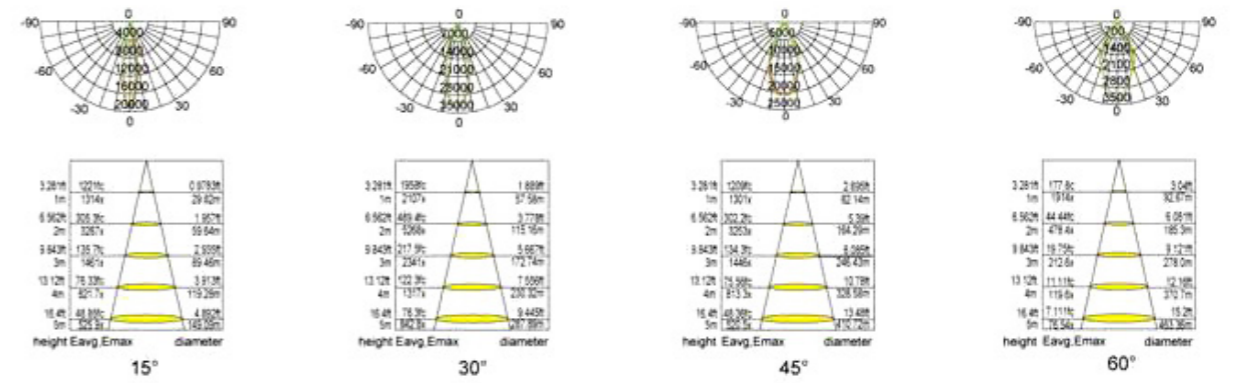
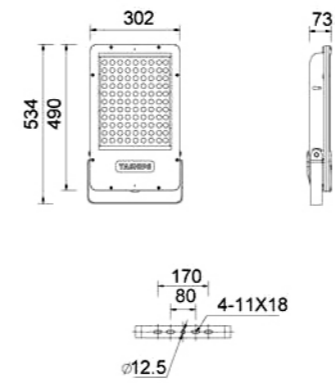
Model	Power	Input Voltage	Light Efficiency	Color Temperature
FLC-10-YS307A	10W	AC90-277V	>100lm/W	4000K/5000K/6000K
FLC-30-YS307B	30W			
FLC-50-YS307C	50W			



FL Series-5

Product Characteristic:

- High pressure die-casting aluminium housing and frame, treated by external electrostatic powder spraying, corrosion resistance. The frame fixed onto the body by stainless steel screws. The back side of the body adopts heat releasing slice design, prolong surface life;
- Sealing gasket: heatproof silicon sealing gasket surrounded the slots of whole housing providing high performance of protection against moisture and contaminant;
- Power: available for 42pcs, 56pcs or 70pcs individual LED, range 48~125W;
- Reflector: professional reflector design, could supply the accurate light distribution and high light efficiency;
- Surroundings Temperature Ta: -20°C~45°C;
- Installation Bracket: galvanized steel bracket, treated by external electrostatic powder spraying, corrosion resistance, fixed by stainless steel outer hexagonal screws at two sides, convenient for adjusting the projection angle; heavy-duty stainless steel bracket suitable for pendant mounted, wall mounted or ceiling mounted, optional for kids or projection angle adjustment.



Model	Power	Light Efficiency	Color Temperature	Light color
FLS-70-YS731	70W AC90-277V	>100 lm/W	4000K/5000K/6000K	Single white, yellow, red, green, RGB
FLS-100-YS731	95W AC90-277V			
FLS-120-YS731	120W AC90-277V			