

BURIED LIGHTS

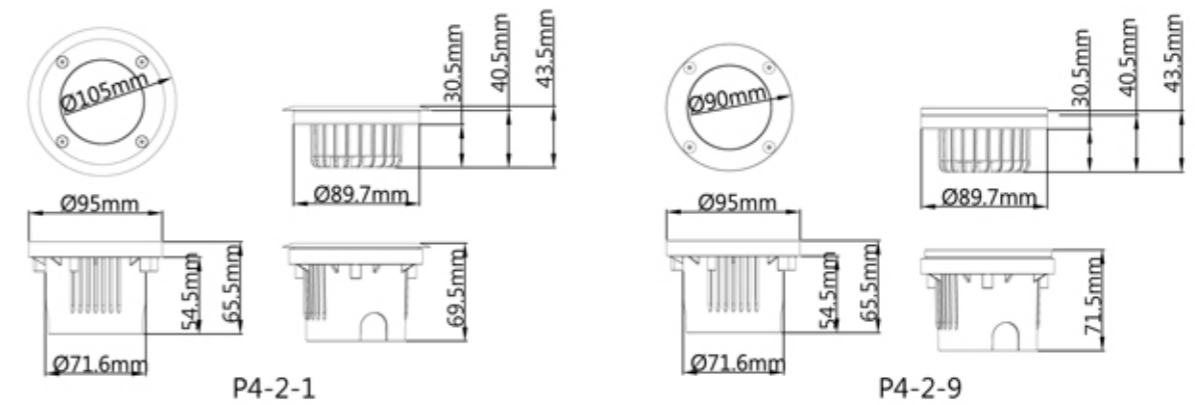


BL Series-1



Technical Specification

- LED Cree, CRI > 80.
- Die casting Aluminium powder coating.
- Stainless Steel Bezel.
- T=6mm Tempered Glass.
- External Auto addressing DMX512 decoder available.
- Standard DMX Interface: Common +.
- Mounting Sleeve: POM
- Transparent glass or Diffused glass
- Ø 10.5cm Stainless Steel Chamfered Bezel.



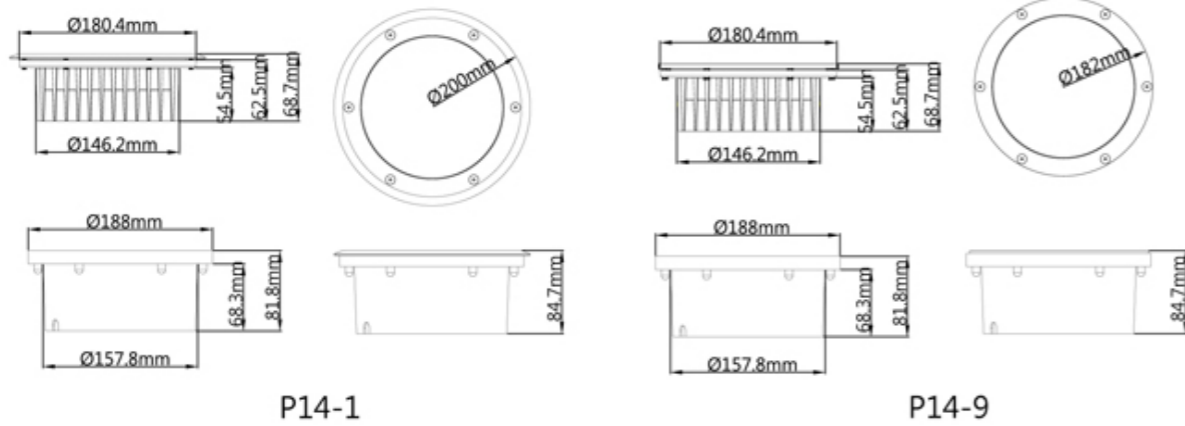
Product	Dimension (mm)	LED Quality	Watt (W)	Voltage (V)	Beam Angle
BLC-P4-2-1L18/02	Ø105x43.4	Lamp x 18	2 / 4	DC24V/AC100~230V	30°/60°/100°
BLC-P4-2-1-S06/02		SMD x 6			120°
BLC-P4-2-1-H03/03	Ø105x43.4	1WHP x 3	3	DC12V	15°/25°/45°/65°/120°
BLC-P4-2-1-H03/03				DC5V	
BLC-P4-2-9-L18/02	Ø90x43.4	Lamp x 18	2 / 4	DC24V/AC100~230V	30°/60°/100°
BLC-P4-2-9-S06/02		SMD x 6			120°
BLC-P4-2-9-H03/03	Ø90x43.4	1WHP x 3	3	DC12V	15°/25°/45°/65°/120°
BLC-P4-2-9-H03/03				DC5V	



BL Series-2

Technical Specification

HIGH POWER LED
 Cree High Power.
 Die casting Aluminium.
 Stainless Steel Bezel.
 T=8mm Tempered Glass.
 External Auto addressing DMX512 decoder available.
 Standard DMX Interface: Common +.
 Mounting Sleeve: POM
 Transparent glass or Diffused glass
 Ø20cm Stainless Steel Chamfered Bezel.



Product	Dimension (mm)	LED Quality	Watt (W)	Voltage (V)	Beam Angle
BLC-P14-1- H18/20	Ø182x68.7	1W x 18	20	DC24V/AC100~230V	15°/25°/45°/60°/120°
BLC-P14-1- H18/30		1.5W x 18	30	DC24V	
BLC-P14-9-H18/20		1W x 18	20	DC24V/AC100~230V	
BLC-P14-9-H18/30		1.5W x 18	30	DC24V	

SPIKES

