

# BULK HEADS

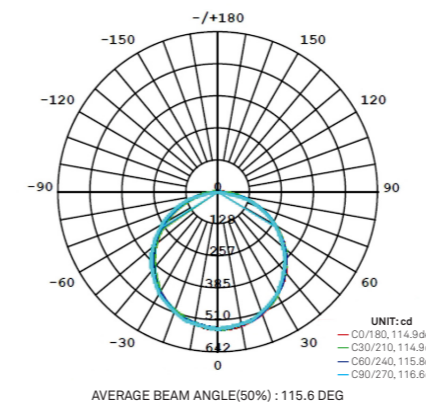
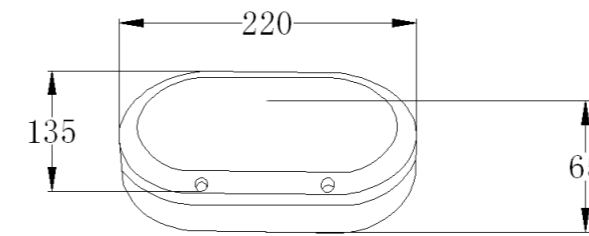


## BD Series-1



### Technical Specification

Size: L220 x W135 x H 65mm  
 Input current: 0.058A(230V)  
 Output current: 0.34A  
 Power factor: >0.9  
 Efficiency: ≥85%  
 Light Intensity: 274cd  
 Luminous flux: 800lm  
 Net weight: 445g  
 Die Cast Aluminium Body  
 PC diffuser



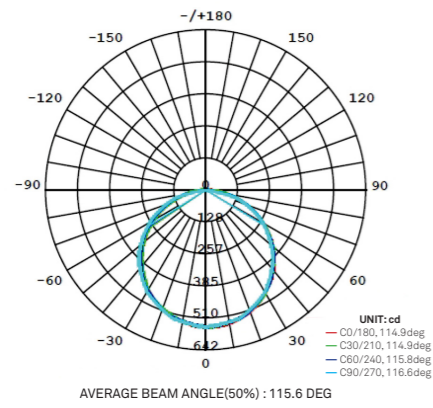
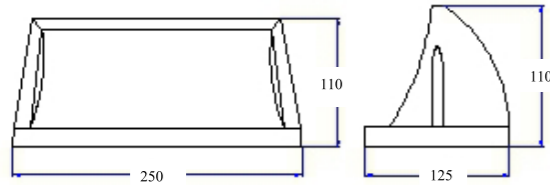
Model	Power	Input Voltage	Output voltage	Beam Angle	Color Temperature	CRI
BDS-10-LSPT10PE	10W	90-265VAC 47-63HZ	30V	115°	2800-3200K/ 4000-4500K/ 5500-6000K	≥75 RA





### BD Series-2

**Technical Specification**  
 Size: L250 x W125 x H 110mm  
 Input current: 0.114A(230V)  
 Output current: 0.67A  
 Power factor: >0.9PF  
 Efficiency: ≥85%  
 Light Intensity: 514cd  
 Luminous flux: 1600lm  
 Net weight: 982g  
 Die Cast Aluminium Body  
 PC diffuser  
 Working Temp: -40°C to 60°C

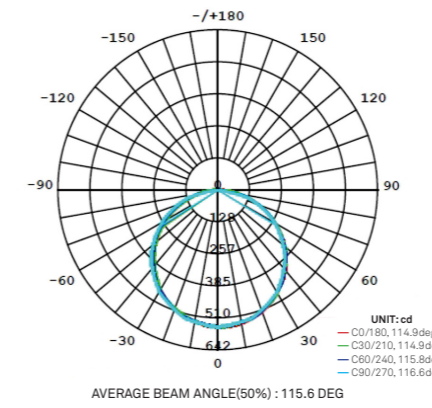
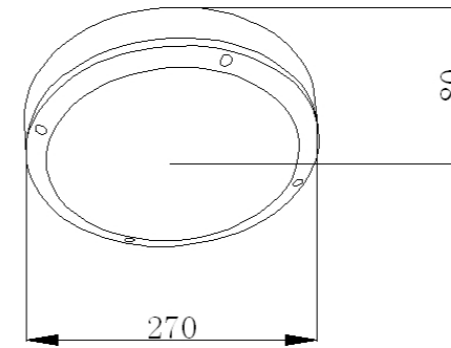


Model	Power	Input Voltage	Output voltage	Beam Angle	Color Temperature	CRI
BDS-20-LSPT20PS	20W	85-265V 47-63HZ	30V	115°	2800-3200K/ 4000-4500K/ 5500-6000K	≥75 RA



### BD Series-3

**Technical Specification**  
 Size: Ø270mm x H 80mm  
 Input current: 0.114A(230V)  
 Output current: 0.67A  
 Power factor: >0.9PF  
 Efficiency: ≥85%  
 Light Intensity: 514cd  
 Luminous flux: 1600lm  
 Net weight: 1.4kg  
 Die Cast Aluminium Body  
 PC diffuser  
 Working Temp: -40°C to 60°C



Model	Power	Input Voltage	Output voltage	Beam Angle	Color Temperature	CRI
BDS-20-LSPT20PC	20W	90-265V 47-63HZ	30V	115°	2800-3200K/ 4000-4500K/ 5500-6000K	≥75 RA



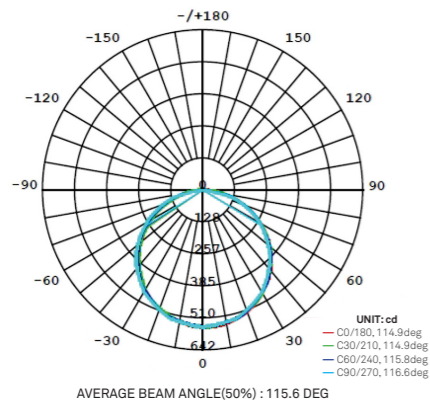
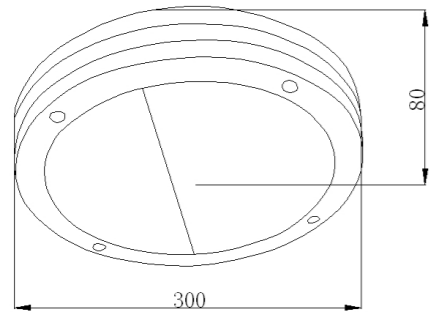




### BD Series-4

**Technical Specification**

Size: L300 x W300 x H 80mm  
 Input current: 0.114A(230V)  
 Output current: 0.67A  
 Power factor: >0.9PF  
 Efficiency: ≥85%  
 Light Intensity: 514cd  
 Luminous flux: 1600lm  
 Net weight: 1.82g  
 Die Cast Aluminium Body  
 PC diffuser  
 Working Temp: -40°C to 60°C



Model	Power	Input Voltage	Output voltage	Beam Angle	Color Temperature	CRI
BDS-20-LSPT20PCA	20W	90-265V 47-63HZ	30V	115°	2800-3200K/ 4000-4500K/ 5500-6000K	≥75 RA



# LINEAR FLEX

