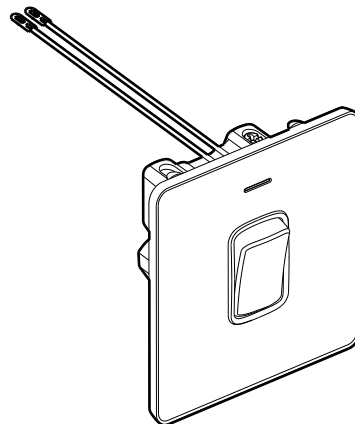


Synergy™ Double pole Switches 45 A - Sleek design

Cat. No(s): 8 320 23 - 8 322 23 - 8 324 23



1. USE

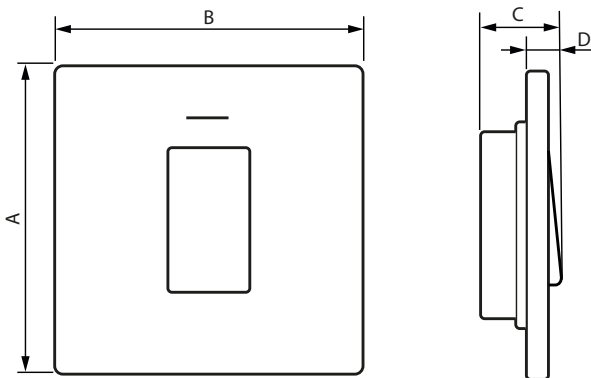
Lighting control switches complete delivered, with compact mechanisms for maximum wiring space and sleek design front plates.
 For flush-mounting, back box to be min. 47 mm deep.
 Fixing with screws.

2. RANGE

Double pole switch + blue LED power indicator and red rocker

| | |
|----------|----------------------------|
| 8 320 23 | ● Brushed stainless steel |
| 8 322 23 | ● Polished stainless steel |
| 8 324 23 | ● Glossy gold |

3. OVERALL DIMENSIONS (mm)



| Cat. Nos | A | B | C | D |
|----------|----|----|----|---|
| 8 32x 23 | 86 | 86 | 33 | 9 |

4. CONNECTION

Type of terminals : with screws
 Terminal capacity: 3 x 4 mm² - 2 x 6 mm² - 1 x 10 mm² - 1 x 16 mm²
 Stripping length: 12 mm
 Compatible with flexible or rigid cables

5. TECHNICAL CHARACTERISTICS

■ 5.1 Mechanical characteristics

Impact tests: IK 01
 Penetration by solid bodies/liquids: IP 20

■ 5.2 Material characteristics

Rocker and plate:
 - BSS: austenitic Brushed Stainless Steel - non magnetic - grade 304 L
 - PSS: Polished Stainless Steel + rust resistance
 - GG: Stainless Steel + rust resistance
 Mechanism housing: PC
 Halogen free
 UV resistant

Self-extinguishing:

+ 850° C / 30 s for insulating parts holding live parts in place.
 + 650° C / 30 s for other parts made of insulating materials.

■ 5.3 Electrical characteristics

Voltage: 250 V~
 Current: 45 A
 Frequency: 50/60 Hz

■ 5.4 Climatic characteristics

Storage temperature: - 10° C to + 70° C
 Use temperature: - 5° C to + 35° C

6. CLEANING

Clean the surface with a cloth.
 Do not use acetone, tar-removing cleaning agents or trichloroethylene.

Resistance to the following cleaning substances:
 Hexane (EN 60669-1), Methylated spirit, Soapy water, Diluted ammonia, Diluted pure bleach 10%, Glass cleaning product.

Caution: An initial test is required for the use of other special maintenance products.

7. STANDARDS AND APPROVALS

Compliance with standards of installation and manufacturing.
 See e.catalogue