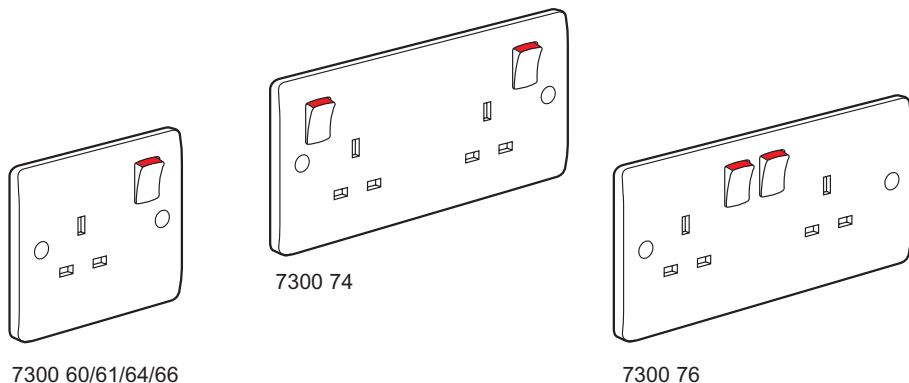


**Synergy®**  
**13A switched and unswitched socket outlets**

Cat. No(s) : 7300 60/61/64/65/66/70/71/74/75/76



CONTENTS	Page
1. Applications	1
2. White range	1
3. Dimensions	1
4. Installation	2
5. Connection	2
6. General characteristics	2
7. Maintenance	3
8. Accessories	3
9. Conformity to standards	3

**1. APPLICATIONS**

One and two gang switched and unswitched 13A socket outlets designed to accept BS 1363 fused plugs. Versions available having out-board rocker and clean earth configurations for special locations as defined in BS 7671.

**2. WHITE RANGE**

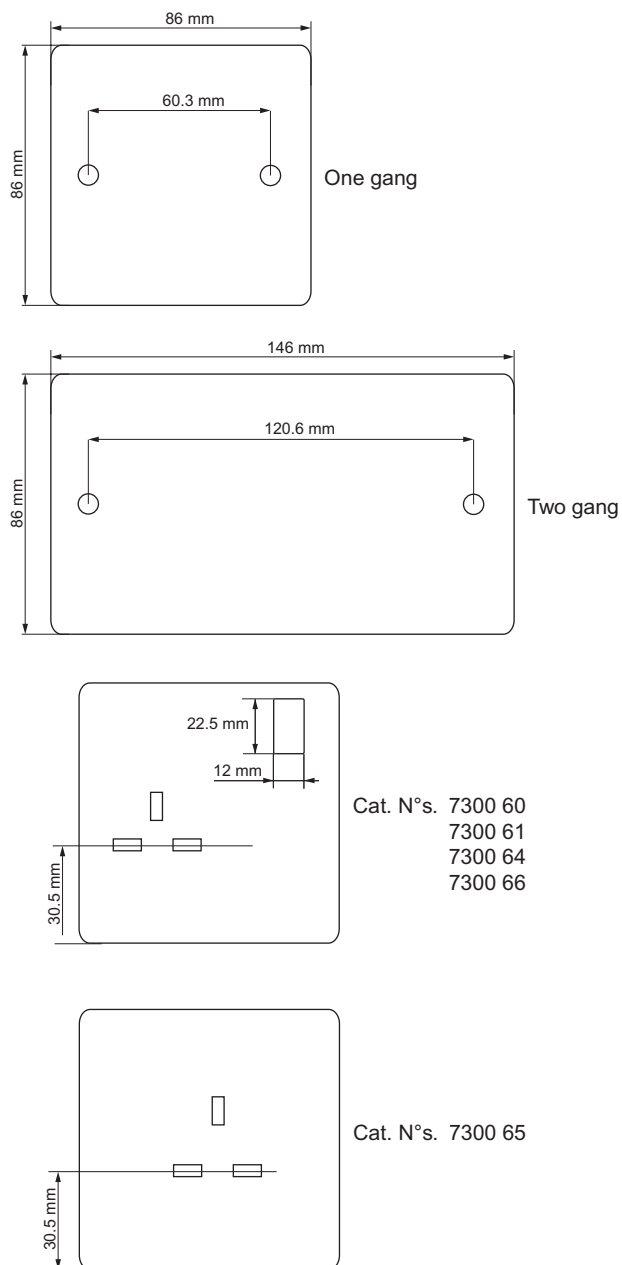
**13 A switched**

Description	Cat. N°	Characteristics	Weight (g)
Single pole 1 gang	7300 66	Single earth, E pin operated shutter	94
Single pole 2 gang	7300 76	Single earth, E pin operated shutter	158
Double pole 1 gang	7300 60	Twin earth, 3 pin operated shutter	104
Double pole 1 gang with power indicator	7300 61	Twin earth, 3 pin operated shutter	106
Double pole 1 gang Clean earth	7300 64	Twin earth, with additional clean earth, 3 pin operated shutter	110
Double pole 2 gang	7300 70	Twin earth, 3 pin operated shutter	169
Double pole 2 gang with power indicator	7300 71	Twin earth, 3 pin operated shutter	173
Double pole 2 gang Clean earth	7300 74	Twin earth, with additional clean earth 3 pin operated shutter	176

**13 A unswitched**

Description	Cat. N°	Characteristics	Weight (g)
1 gang	7300 65	Twin earth 3 pin operated shutter	97
2 gang	7300 75	Twin earth 3 pin operated shutter	150

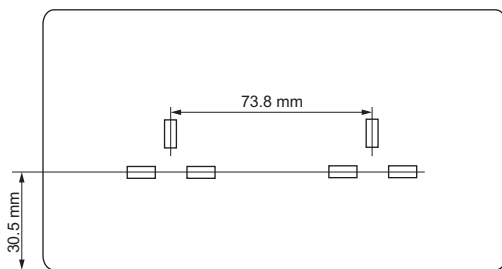
**3. DIMENSIONS (mm)**



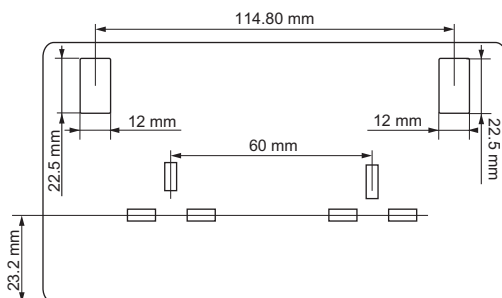
# Synergy® 13A switched and unswitched socket outlets

Cat. No(s) : 7300 60/61/64/65/66/70/71/74/75/76

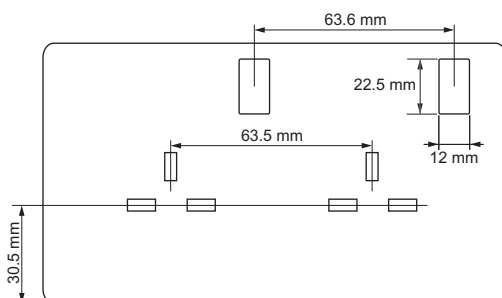
## 3. DIMENSIONS (continued)



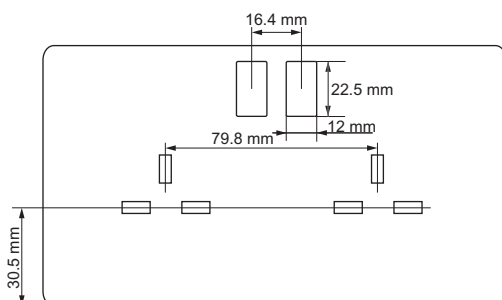
Cat. N°s. 7300 75



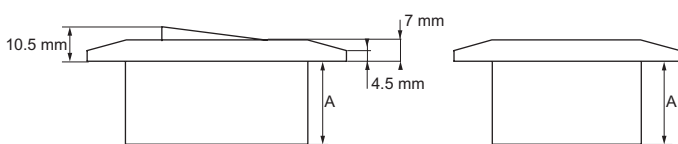
Cat. N°s. 7300 74



Cat. Nos. 7300 70  
7300 71



Cat. N°s. 7300 76



Switched versions

Unswitched versions

### Depth of mechanism

Cat. N°s	A
7300 66	19.5 mm
7300 76	
7300 70	
7300 71	
7300 74	
7300 60	21.5 mm
7300 61	
7300 64	

### Depth of mechanism

Cat. N°s	A
7300 65	21.5 mm
7300 75	19.5 mm

## 4. INSTALLATION

### Flush mounting :

- All products supplied with 2 x M 3.5 fixing screws and 2 thermo-plastic screw covers. It is recommended that redundant top and bottom fixing lugs in metal back boxes are bent back to increase room for mechanisms and their attendant wiring.
- 25 mm minimum depth back boxes suitable for 13 A sockets
- 35 mm recommended depth back boxes for extra wiring space.

### Surface mounting :

	Depth 35 mm
1 gang	7364 06
2 gang	7364 10

## 5. CONNECTION

### 5.1 Terminal capacity (including earth)

- 3 x 2,5 mm<sup>2</sup>
- 3 x 4,0 mm<sup>2</sup>
- 2 x 6,0 mm<sup>2</sup>

- The number of terminal earth depends on Cat. No.
- Recommended screwdriver size : 4 mm flat blade
- Recommended tightening torque : 0.8 Nm

## 6. GENERAL CHARACTERISTICS

### 6.1 Mechanical characteristics

- IP rating : IP2X
- IK rating : IK01
- Patented 3-pin operated shutter mechanism
- Double pole or single pole switch contacts
- Terminals all supplied in backed-off position
- Dual/clean earth options available
- Choice of inboard, outboard or offset rockers on two gang version
- Retrofit LED "power-on" upgrade available for conversion of standard switched socket

### 6.2 Electrical characteristics

- Minimum 3 mm contact separation
- Positive contact indication

### 6.3 Material properties

- Base : self-extinguishing at 850° C / 30 s
- Frontplate : thermoset urea, self-extinguishing at 960° C / 30 s
- Rocker : polycarbonate, self-extinguishing at 850° C / 30 s
- Fixing screw concealment plugs : polycarbonate.

**6. GENERAL CHARACTERISTICS** (continued)

**6.4 Resistance to chemicals**

Resistance to chemical agents	PC	UREA
Acetone	n	l
Acetic acid 10 %	s	-
Hydrochloric acid	s (20%)	n
Citric acid 10 %	s	-
Hydrofluoric acid 4 %	s	l
Lactic acid 10 %	s	-
Nitric acid 10 %	s	-
Phosphoric acid 85 %	l	n
Sulphuric acid 25 %	s	n
Tannic acid	n	-
Cleaning agents containing traces of ammonia quaternaires	n	s
Ethyl alcohol	s	l
Methyl alcohol (methanol)	l	l
Ammonia	n	l
Aniline	n	l
Benzene	n	l
Lime	n	l
Liquid chlorine	n	-
Barium chloride	s	-
Chlorinated lime 20 %	s	-
Javel water	s	-
Seawater	s	-
Oil	s	s
Milk	s	-
Fuel	s	l
Petroleum oil, petroleum ether	l	l
Caustic soda	n (40%)	s (25%)
Sugar	s	-
Toluene	n	-
Trichlorethylene	n	l
Urine	s	-
Wine	s	-

s = satisfactory  
 l = limit  
 n = not satisfactory

**6.5 Functional limitations**

- Products may be stored at temperatures between - 5° C and + 40° C
- Maximum average ambient temperature in any 24 hour period not to exceed 25° C.

**7. MAINTENANCE**

The use of abrasive or solvent-based cleaners is strictly forbidden as it could result in irreparable damage to the products external surfaces. We recommend the use of a soft, slightly damp cloth to remove fingerprints, etc...

**8. ACCESSORIES**

- LED "power on" upgrade pack, Cat. N° 7300 58\* (pack of 10)
- Spare faceplate screw concealment plug, Cat. N° 7301 53 (pack of 50).

**Note : Ensure that LED's are either disconnected or socket outlet rockers are switched "off" when performing installation tests otherwise irreparable damage to LED's will occur.**

**9. CONFORMITY TO STANDARDS**

- Conforms to BS 1363. pt 2 ; 1995