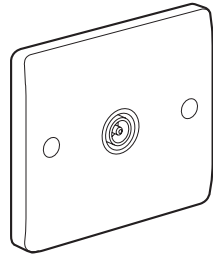
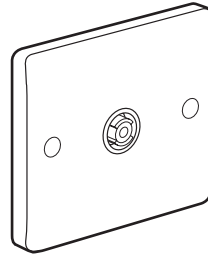


Synergy®
TV socket outlets, satellite outlets

Cat. No(s) : 7300 40/41



7300 40



7300 41

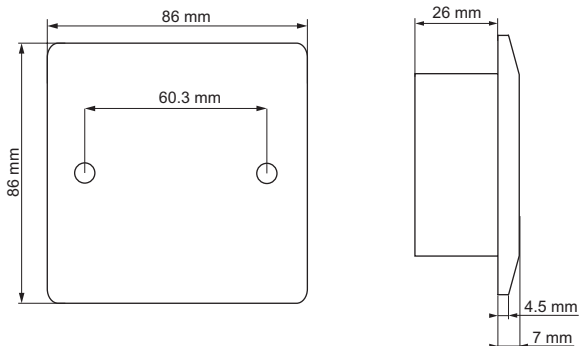
1. APPLICATIONS

Socket outlets for supplying TV signals (analogue or digital) up to 2400 Mhz. Suitable for single or multi-outlet installations.

2. WHITE RANGE

Cat. No.	Characteristics	Weight (g)
7300 40	TV socket, male type Ø 9.52	92
7300 40	"F" type socket	94

3. DIMENSIONS



4. INSTALLATION

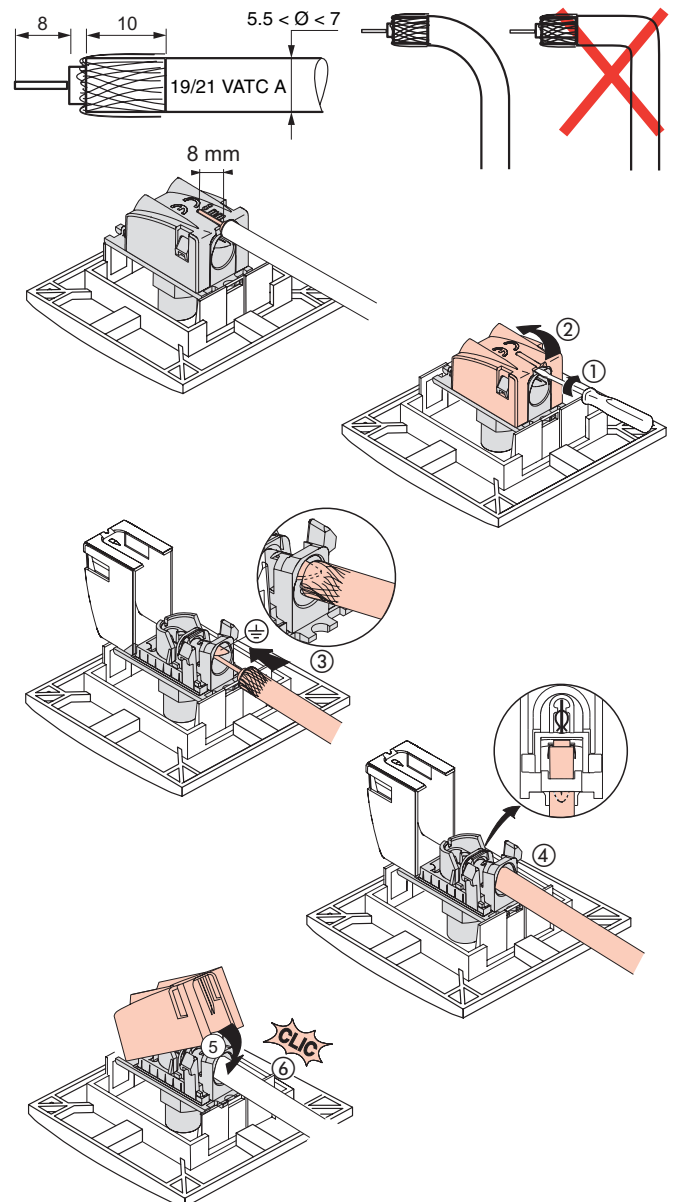
Flush mounting :

- All products supplied with 2 x M 3.5 fixing screws and 2 thermo-plastic screw covers. It is recommended that redundant top and bottom fixing lugs in metal back boxes are bent back to increase room for mechanisms and their attendant wiring.
- 35 mm minimum depth back boxes.

Surface mounting :

- 1 gang 35 mm deep pattress : Cat. No. 736406

5. CONNECTION



5. CONNECTION (continued)

Input

- During installation, sharp bends in the cable must be avoided in order to ensure minimum signal degradation
- Accepts standard low-loss TV coaxial cable, 5.5 - 7 mm o.d.
- Inner conductor diameter: 1 - 2 mm diameter

Output

- 730040 TV socket has male socket Ø 9.52 mm (conforms to IEC 169-2)
- 730041 satellite has standard Ø 9.4 mm male threaded connector

6. GENERAL CHARACTERISTICS

6.1 Mechanical characteristics

- IP rating : IP2X
- IK rating : IK01
- 730040 TV socket has hinged metallic back which ensures RFI shielding and also retains coaxial cable.

6.2 Electrical characteristics

- Mechanism impedance: 75 Ω.
- RFI shielding in accordance with EN 50083-2
- Return loss in accordance with EN 50083-4
 Signal loss : < 1.5 dB from 4 to 2400 Mhz
 Can accept DC currents of up to 500 mA for the powering of the LNB / Satellite disk.
 Allows the throughput of command signals at 22 Khz where required. (Maximum voltage at 22 Khz : 0.3 V)

6.3 Material properties

- Frontplate : thermoset urea, self-extinguishing at 960° C / 30 s
- Rear mechanism : Mazak shielded.
- Fixing screw concealment plugs : polycarbonate.

6. GENERAL CHARACTERISTICS (continued)

6.4 Resistance to chemicals

	PC	UREA
Resistance to chemical agents	PC	UREA
Acetone	n	l
Acetic acid 10 %	s	-
Hydrochloric acid	s (20%)	n
Citric acid 10 %	s	-
Hydrofluoric acid 4 %	s	l
Lactic acid 10 %	s	-
Nitric acid 10 %	s	-
Phosphoric acid 85 %	l	n
Sulphuric acid 25 %	s	n
Tannic acid	n	-
Cleaning agents containing traces of ammonia		
quaternaires	n	s
Ethyl alcohol	s	l
Methyl alcohol (methanol)	l	l
Ammonia	n	l
Aniline	n	l
Benzene	n	l
Lime	n	l
Liquid chlorine	n	-
Barium chloride	s	-
Chlorinated lime 20 %	s	-
Javel water	s	-
Seawater	s	-
Oil	s	s
Milk	s	-
Fuel	s	l
Petroleum oil, petroleum ether	l	l
Caustic soda	n (40%)	s (25%)
Sugar	s	-
Toluene	n	-
Trichlorethylene	n	l
Urine	s	-
Wine	s	-

s = satisfactory

l = limit

n = not satisfactory

6.5 Functional limitations

- Products may be stored at temperatures between - 5°C and + 40° C
- Maximum ambient average temperature in any 24 hour period not to exceed 25° C.

7. MAINTENANCE

The use of abrasive or solvent-based cleaners is strictly forbidden as it could result in irreparable damage to the product's external surfaces. We recommend the use of a soft, slightly damp cloth to remove fingerprints, etc...

8. ACCESSORIES

Fixing screw concealment plugs : Cat. No. 730153 (50 per pack)

9. CONFORMITY TO STANDARDS

730040 conforms to EN 50083-2