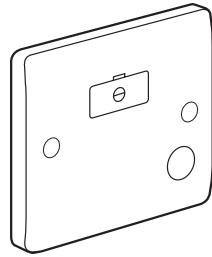
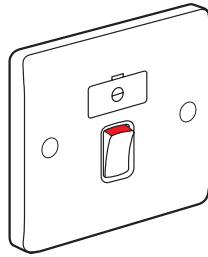


Synergy®
Fused connection units

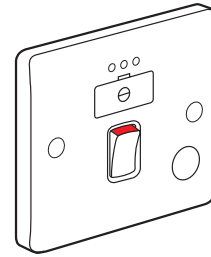
Cat. No(s) : 7300 30/31/32/33/34/35/36/37



7300 32



7300 34



7300 37

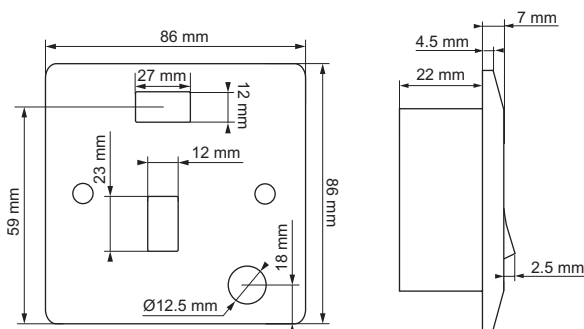
1. APPLICATIONS

Device for local control of fixed appliances. Fuse protection limits maximum current demand to 13 A. When fuse is withdrawn, a padlock may be attached around the fuse drawer thereby preventing its re-insertion with consequential re-energisation of the circuit. All switched versions feature double pole switching.

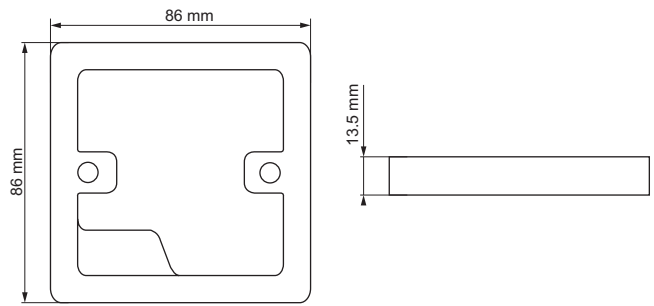
2. WHITE RANGE

Description	Cat. N°	Characteristics	Weight (g)
unswitched	7300 30		100
"	7300 31	with power indicator	104
"	7300 32	with flex outlet	104
"	7300 33	with flex outlet and power indicator	105
DP switched	7300 34		102
"	7300 35	with power indicator	103
"	7300 36	with flex outlet	103
"	7300 37	with flex outlet and power indicator	106

3. DIMENSIONS (mm)



3. DIMENSIONS (mm) (continued)



Cord outlet accessory box Cat. N° 7300 53
 (Provides a downward, flush to the wall cord outlet for FCU's not having integral frontal outlet)
 Net weight: 40 g without screws. Accessory supplied with 2 x 45 mm screws.

4. INSTALLATION

Flush mounting :

- All products supplied with 2 x M 3.5 fixing screws and 2 thermoplastic screw covers. It is recommended the redundant top and bottom fixing lugs in metal backboxes are bent back to increase room for mechanisms and their attendant wiring.
- 25 mm minimum depth backbox suitable for FCU's.
- 35 mm recommended backbox depth for extra wiring space.

Surface mounting : 1 gang 35 mm deep pattress, Cat. N° 7364 06

5. CONNECTION

5.1 Terminals

• Terminal capacity (L+N+E)	
Mains	Load
3 x 2.5 mm ²	3 x 2.5 mm ²
2 x 4 mm ²	2 x 4 mm ²
2 x 6 mm ²	1 x 6 mm ²

- Recommended screwdriver size : 4 mm flat blade
- Recommended terminal tightening torque : 0.5 Nm

5.2 Flex outlet

- 12.5 mm Ø flex outlet orifice in front plate.
- Cable clamp capable of restraining circular section cable to BS 6500 having 2 x 0.5 mm² section conductors.

6. GENERAL CHARACTERISTICS

6.1 Mechanical characteristics

- IP rating : IP2X
- IK rating : IK01

6.2 Electrical characteristics

- Minimum 3 mm contact separation.

6.3 Material properties

- Base : self-extinguishing at 850° C / 30 s
- Frontplate thermoset urea self-extinguishing at 960° C / 30 s
- Rocker : polycarbonate, self-extinguishing at 850° C / 30 s
- Fixing screw concealment plugs : polycarbonate

6.4 Resistance to chemicals

Resistance to chemical agents	PC	UREA
Acetone	n	l
Acetic acid 10 %	S	-
Hydrochloric acid	S (20%)	n
Citric acid 10 %	S	-
Hydrofluoric acid 4 %	S	l
Lactic acid 10 %	S	-
Nitric acid 10 %	S	-
Phosphoric acid 85 %	l	n
Sulphuric acid 25 %	S	n
Tannic acid	n	-
Cleaning agents containing traces of ammonia quaternaires	n	S
Ethyl alcohol	S	l
Methyl alcohol (methanol)	l	l
Ammonia	n	l
Aniline	n	l
Benzene	n	l
Lime	n	l
Liquid chlorine	n	-
Barium chloride	S	-
Chlorinated lime 20 %	S	-
Javel water	S	-
Seawater	S	-
Oil	S	S
Milk	S	-
Fuel	S	l
Petroleum oil, petroleum ether	l	l
Caustic soda	n (40%)	S (25%)
Sugar	S	-
Toluene	n	-
Trichlorethylene	n	l
Urine	S	-
Wine	S	-

S = satisfactory
 l = limit
 n = not satisfactory

6.5 Functional limitations

- Products may be stored and used at temperatures between - 5°C and + 40° C
- Maximum average ambient temperature in any 24 hour period not to exceed 25° C.

7. MAINTENANCE

The use of abrasives or solvent-based cleaners is strictly forbidden as it could result in irreparable damage to the product's external surfaces. We recommend the use of a soft, slightly damp cloth to remove fingerprints, etc...

8. ACCESSORIES

- LED "power on" upgrade pack, Cat. N° 7300 58* (pack of 10).
- Flex outlet conversion accessory Cat. N° 7300 53 provides a vertically downwards cord orientation
- Spare faceplate screw concealment plugs, Cat. N° 7301 53 pack of 50
- Replacement fuses must conform to BS 1362

*** Note : Ensure that LED's are either disconnected or DP switch is in the "off" position when performing installation tests otherwise irreparable damage to LED's will occur.**

9. CONFORMITY TO STANDARDS

Conforms to BS 1363, Part 4.