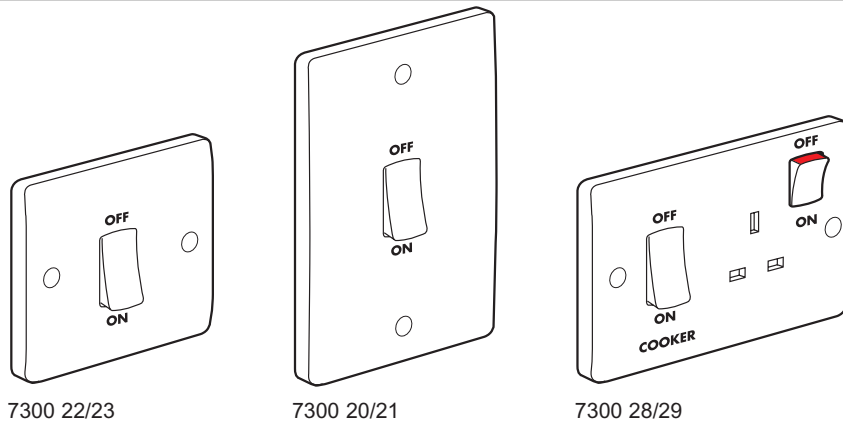


Synergy®
45 A DP Control Switch

Cat. No(s) : 7300 20/21/22/23/28/29



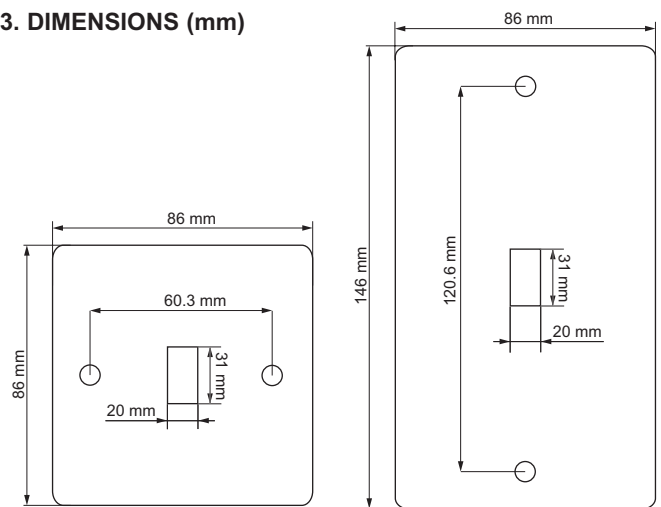
1. APPLICATIONS

High capacity double pole switches for the control of fixed appliances eg. cooker ovens, showers or air-conditioning units. Versions available with LED "power on" indicator.

2. WHITE RANGE

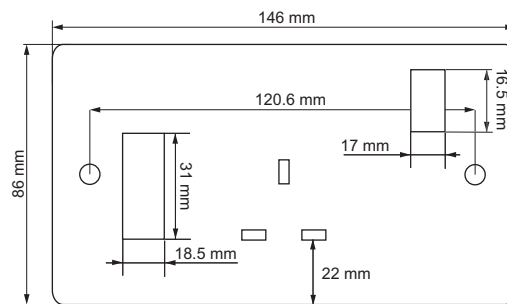
Description	Cat. N°	Characteristics	Weight (g)
45A DP	7300 22		139
45A DP	7300 23	with power indicator	141
45A DP	7300 20		182
45A DP	7300 21	with power indicator	184
Cooker unit 45 A DP 1 x 13 A DP Switched Socket outlet	7300 28		204
Cooker unit 45 A DP 1 x 13 A DP Switched Socket outlet	7300 29	with power indicator on both the 45A Switch and 13A Socket	208

3. DIMENSIONS (mm)

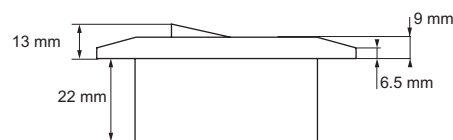


Cat. N°s : 7300 22/23

Cat. N°s : 7300 20/21



Cat. N°s : 7300 28/29



Cat. N°s : 7300 20/21/22/23/28/29

4. INSTALLATION

Flush mounting :

- All products supplied with 2 x M 3.5 fixing screws and 2 thermo-plastic screw covers. It is recommended that redundant top and bottom fixing lugs in metal back boxes are bent back to increase room for mechanisms and their attendant wiring.
- 25 mm minimum depth back boxes.
- 35 mm recommended depth back boxes for extra wiring space.

Surface mounting :

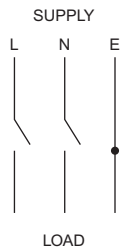
- 1 gang 35 mm minimum deep pattress :
Cat. N° 7364 06
- 2 gang 35 mm minimum deep pattress :
Cat. N° 7364 10

5. CONNECTION

5.1 Terminals

- Terminal capacity L, N + E : 1 x 16 mm²
1 x 10 mm²
2 x 6 mm²
3 x 4 mm²
- Fitted with 2 brass earth terminals, each of which having the above capacity.
- Recommended screwdriver size : flat blade 5.5mm
- Recommended tightening torque : 2 Nm
- Recommended strip-back : 12 mm

6. WIRING DIAGRAMS



7. GENERAL CHARACTERISTICS

7.1 Mechanical characteristics

- IP rating : IP2X
- IK rating : IK01

7.2 Electrical characteristics

- Minimum 3 mm contact separation.

7.3 Material properties

- Base : self-extinguishing at 850° C / 30 s
- Frontplate : Thermoset urea self-extinguishing at 960° C / 30 s
- Rocker : polycarbonate, self-extinguishing at 850° C / 30 s
- Fixing screw concealment plugs : polycarbonate.

7.4 Resistance to chemicals

Resistance to chemical agents	PC	UREA
Acetone	n	l
Acetic acid 10 %	s	-
Hydrochloric acid	s (20%)	n
Citric acid 10 %	s	-
Hydrofluoric acid 4 %	s	l
Lactic acid 10 %	s	-
Nitric acid 10 %	s	-
Phosphoric acid 85 %	l	n
Sulphuric acid 25 %	s	n
Tannic acid	n	-
Cleaning agents containing traces of ammonia quaternaires	n	s
Ethyl alcohol	s	l

7. GENERAL CHARACTERISTICS (continued)

7.4 Resistance to chemicals (continued)

Methyl alcohol (methanol)	l	l
Ammonia	n	l
Aniline	n	l
Benzene	n	l
Lime	n	l
Liquid chlorine	n	-
Barium chloride	s	-
Chlorinated lime 20 %	s	-
Javel water	s	-
Seawater	s	-
Oil	s	s
Milk	s	-
Fuel	s	l
Petroleum oil, petroleum ether	l	l
Caustic soda	n (40%)	s (25%)
Sugar	s	-
Toluene	n	-
Trichlorethylene	n	l
Urine	s	-
Wine	s	-

s = satisfactory

l = limit

n = not satisfactory

7.5 Functional limitations

- Products may be stored and used at temperatures between - 5° C and + 40° C
- Maximum average ambient temperature in any 24 hour period not to exceed 25° C.

8. MAINTENANCE

The use of abrasive or solvent-based cleaners is strictly forbidden as it could result in irreparable damage to the product's external surfaces. We recommend the use of a soft, slightly damp cloth to remove fingerprints, etc...

9. ACCESSORIES

Spare faceplate screw concealment plugs, Cat. N° : 7301 53 (pack of 50)

Cat. N° : 7300 58 for indicator usage* (10 per pack).

***Note : Ensure that LED's are either disconnected or DP switch is in the "off" position when performing installation tests otherwise irreparable damage to LED's will occur.**

10. CONFORMITY TO STANDARDS

Cat. N°s : 7300 20 }
7300 21 } Conform to BS EN 606 69 - 1
7300 22 }
7300 23 }

Cat. N°s : 7300 28 }
7300 29 } Conform to BS 4177