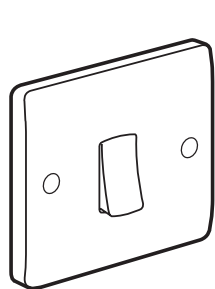
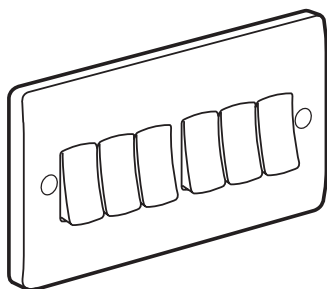


Synergy®
10 AX Plate switches

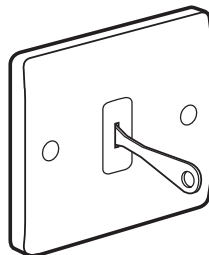
Cat. No(s) : 7300 00/01/02/03/04/05/06/08/24
 7301 01/02/03/24



7300 00



7300 06



7300 08

CONTENTS

Page

| | |
|--|---|
| 1. Applications | 1 |
| 2. White range | 1 |
| 3. Switches with led indicators/locators | 1 |
| 4. Dimensions | 2 |
| 5. Installation | 2 |
| 6. Connection | 2 |
| 7. General characteristics | 3 |
| 8. Maintenance | 3 |
| 9. Accessories | 3 |
| 10. Conformity to standards | 3 |

1. APPLICATIONS

Mechanisms for the control of resistive or inductive lighting loads or similar which can be optionally equipped with LED indicators/locators.

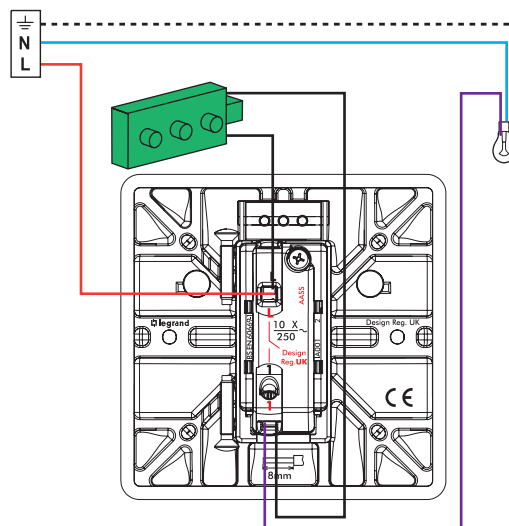
2. WHITE RANGE

| Description | Cat. N° | Characteristics | Weight (g) |
|----------------------------|---------|--|------------|
| 1 gang, 1 way | 7300 00 | 10 AX, 250 V _~ | 66 |
| 1 gang, 2 way | 7300 01 | 10 AX, 250 V _~ | 70 |
| 1 gang, 2 way | 7301 01 | 10 AX, 250 V _~ screwless terminals | 70 |
| 1 gang, intermediate | 7300 05 | 10 AX, 250 V _~ | 72 |
| 2 gang, 2 way | 7300 02 | 10 AX, 250 V _~ | 79 |
| 2 gang, 2 way | 7301 02 | 10 AX, 250 V _~ screwless terminals | 79 |
| 3 gang, 2 way | 7300 03 | 10 AX, 250 V _~ | 87 |
| 3 gang, 2 way | 7301 03 | 10 AX, 250 V _~ screwless terminals | 87 |
| 4 gang, 2 way | 7300 04 | 10 AX, 250 V _~ | 141 |
| 6 gang, 2 way | 7300 06 | 10 AX, 250 V _~ | 161 |
| 1 gang, 2 way keyswitch | 7300 08 | 10 AX, 250 V _~ | 73 |
| 2 gang 1 way | 7300 24 | 10 AX, 250 V _~ | 79 |
| 3 gang 1 way | 7301 24 | 10 AX, 250 V _~ | 87 |

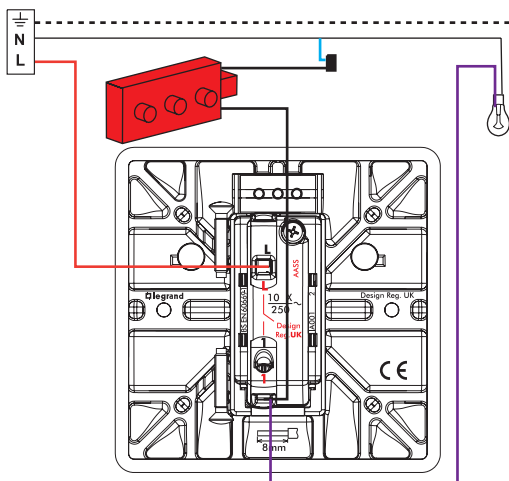
3. SWITCHES WITH LED INDICATORS/LOCATORS

Can be used as indicators or locators. When used as an indicator a neutral supply has to be brought to the unit.

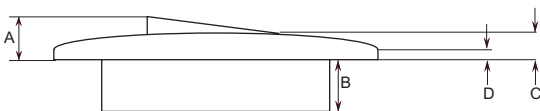
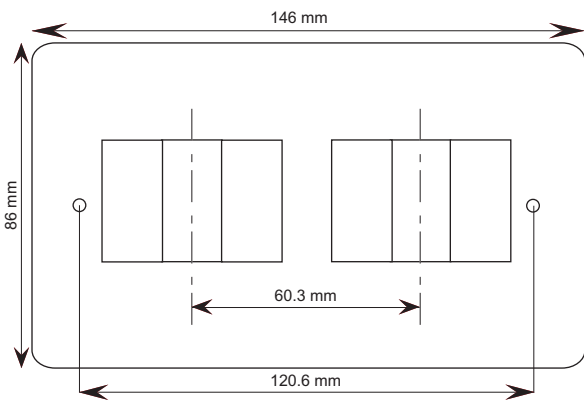
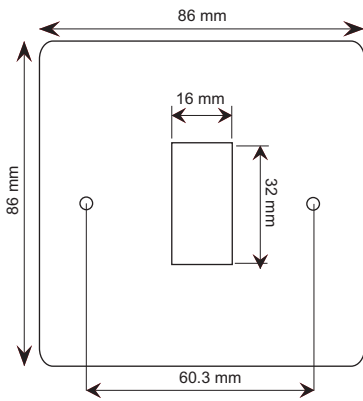
Locator



Power indicator



4. DIMENSIONS (mm)



| | Mechanisms with screw terminals | Mechanisms with screwless terminals | 2 way key switch 7300 08 |
|---|---------------------------------|-------------------------------------|--------------------------|
| A | 11.5 mm | 11.5 mm | 7 mm* |
| B | 13.7 mm | 15.1 mm | 13.7 mm |
| C | 7 mm | 7 mm | 7 mm |
| D | 4.5 mm | 4.5 mm | 4.5 mm |

* = max faceplate depth

5. INSTALLATION

Flush mounting :

- All products supplied with 2 x M 3.5 fixing screws and 2 thermo-plastic screw covers. It is recommended that redundant top and bottom fixing lugs in metal back boxes are bent back to increase room for mechanisms and their attendant wiring.
- 16 mm minimum depth back box.
- 25 mm recommended depth back box.

Surface mounting :

| Patress | 1 gang | 2 gang |
|-------------|---------|---------|
| depth 16 mm | 7364 03 | 7364 08 |
| depth 35 mm | 7364 06 | 7364 10 |

6. CONNECTION

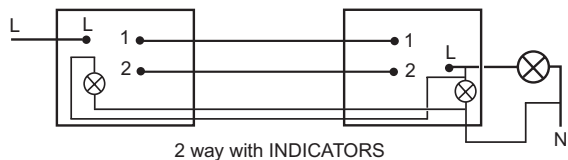
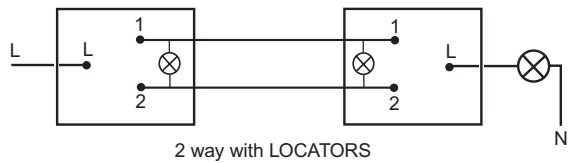
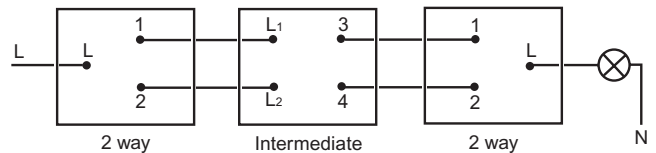
6.1 Terminals

- Terminal capacity : 4 x 1 mm²
 4 x 1.5 mm²
 2 x 2.5 mm²
 1 x 4 mm²
- Recommended screwdriver size : 4 mm flat blade
- Recommended terminal tightening torque : 0.5 Nm

6.2 Terminals (screwless type)

- Direct cable connection (after stripping) without the use of a tool
- Maximum conductor size : 2.5 mm²
- Maximum of 2 conductors per pole.
- Recommended strip-back : 11 mm

6.3 Circuit diagrams



7. GENERAL CHARACTERISTICS

7.1 Mechanical characteristics

- IP rating : IP2X
- IK rating : IK01

7.2 Electrical characteristics

- Contact clearance > 3 mm

7.3 Material properties

- Base : Polypropylene self-extinguishing at 850° C / 30 s
- Rocker/frontplate : Thermoset urea self-extinguishing at 960° C / 30 s
- Fixing screw concealment plugs : polycarbonate.

7.4 Resistance to chemicals

| Resistance to chemical agents | PC | UREA |
|---|---------|---------|
| Acetone | n | l |
| Acetic acid 10 % | s | - |
| Hydrochloric acid | s (20%) | n |
| Citric acid 10 % | s | - |
| Hydrofluoric acid 4 % | s | l |
| Lactic acid 10 % | s | - |
| Nitric acid 10 % | s | - |
| Phosphoric acid 85 % | l | n |
| Sulphuric acid 25 % | s | n |
| Tannic acid | n | - |
| Cleaning agents containing traces of ammonia quaternaires | n | s |
| Ethyl alcohol | s | l |
| Methyl alcohol (methanol) | l | l |
| Ammonia | n | l |
| Aniline | n | l |
| Benzene | n | l |
| Lime | n | l |
| Liquid chlorine | n | - |
| Barium chloride | s | - |
| Chlorinated lime 20 % | s | - |
| Javel water | s | - |
| Seawater | s | - |
| Oil | s | s |
| Milk | s | - |
| Fuel | s | l |
| Petroleum oil, petroleum ether | l | l |
| Caustic soda | n (40%) | s (25%) |
| Sugar | s | - |
| Toluene | n | - |
| Trichlorethylene | n | l |
| Urine | s | - |
| Wine | s | - |

s = satisfactory
 l = limit
 n = not satisfactory

7.5 Functional limitations

- Products may be stored and used at temperatures between - 5°C and + 40° C
- Maximum average ambient temperature in any 24 hour period next to exceed 25° C.

8. MAINTENANCE

The use of abrasive or solvent-based cleaners is strictly forbidden as it could result in irreparable damage to the product's external surfaces. We recommend the use of a soft, slightly damp cloth to remove fingerprints, etc...

9. ACCESSORIES

- Key spare : Cat. N° 081177
- LED pack : Cat. N° 7301 58 for locator usage* (10 per pack)
 Cat. N° 7300 58 for indicator usage* (10 per pack)
- Fixing screw concealment plugs : Cat. N° 7301 53 (50 per pack).
- 7301 52 : Looping terminal for connection of LED packs.

***Note : For installation tests, ensure LED packs are disconnected.**

10. CONFORMITY TO STANDARDS

Conform to BS EN 60669-1.