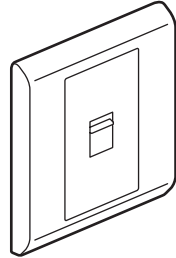
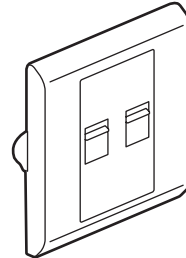


Belanko™
RJ 11 telephone sockets

Cat. No(s): 6 170 97/98 - 6 172 97/98 - 6 173 97/98 - 6 174 97/98



6 170 97



6 170 98

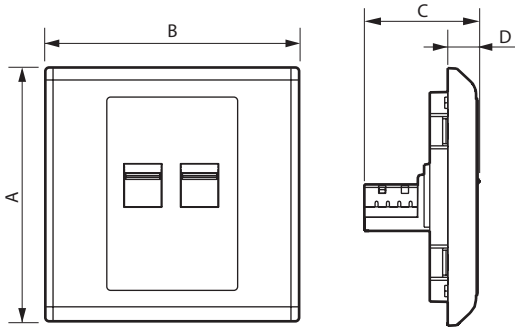
1. USE

Telephone socket outlets for the transmission of data or telephone, with shutters.
 Complete delivered.
 Supplied with 2 x M3.5 fixing screws for BS boxes.
 For flush-mounting or surface-mounting boxes.

2. RANGE

Description	White	Ivory	Dark Grey	Brown
RJ 11 socket	6 170 97	6 172 97	6 173 97	6 174 97
Double RJ 11 socket	6 170 98	6 172 98	6 173 98	6 174 98

3. DIMENSIONS

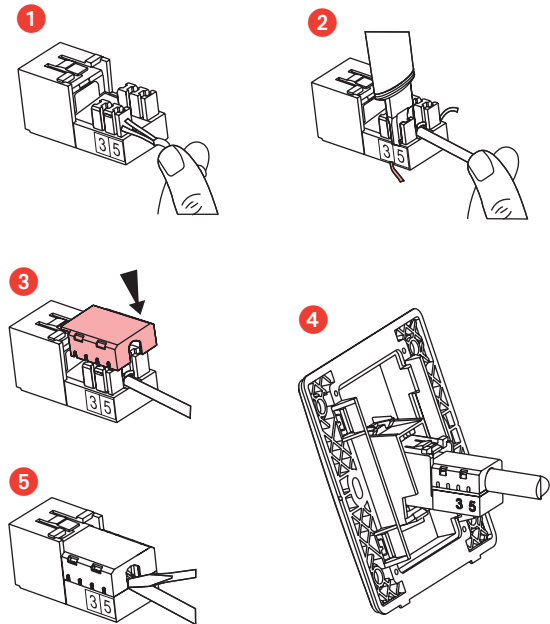
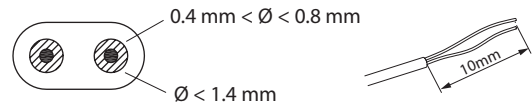


	A	B	C	D
6 17x 97/98	86	86	39	11

Distance of installation hole: 60.3 mm

4. CONNECTION

Accept 0.4 to 0.8 mm single core copper conductors (26 AWG to 20 AWG).
 Maximum of cable insulating sheath: 1.4 mm
 Stripping length: 10 mm



5. TECHNICAL CHARACTERISTICS

■ 5.1 Mechanical characteristics

Impact tests: IK 02

Protection against solid bodies and liquids: IP 40

■ 5.2 Material characteristics

Thermoplastic with glossy finish

Colour: White T084

Ivory

Dark Grey

Brown

Halogen free

UV resistant

Self-extinguishing: 650° C / 30 s

■ 5.3 Electrical characteristics

Contact blades gold plated on nickel (gold thickness: 50 V")

Spring shutter obturation when socket not in use

Plug retention in socket: 5.3 kg (53 Newtons)

■ 5.4 Climatic characteristics

Storage temperature: - 10° C to + 70° C

Operating temperature: - 5° C to + 35° C

6. CLEANING

Surface cleaning with a soft, slightly damp cloth.

Do not use: acetone, tar remover, trichloroethylene.

Maintenance with the following products: Hexane (EN 60669-1), Methylated spirit, Soapy water, Diluted ammonia, Bleach diluted to 10%, Window-cleaning products.

Caution: A preliminary test should be carried out if other specific cleaning products are to be used.

7. STANDARDS AND APPROVALS

Compliance with standards of installation and manufacturing.

See e.catalogue.