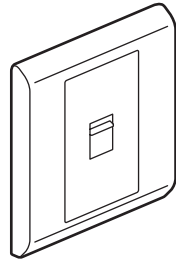
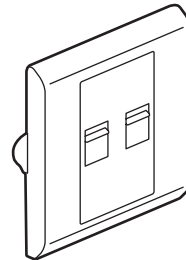


Belanko™
RJ 45 data sockets

Cat. No(s): 6 170 91/92 - 6 172 91/92 - 6 173 91/92 - 6 174 91/92



6 170 91



6 170 92

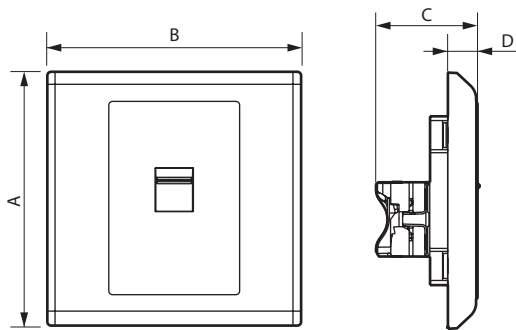
1. USE

Computer socket outlets for the transmission of data, with shutters.
 Complete delivered.
 Supplied with 2 x M3.5 fixing screws.
 For flush-mounting or surface-mounting boxes.

2. RANGE

Description	White	Ivory	Dark Grey	Brown
RJ 45 Cat. 6 UTP	6 170 91	6 172 91	6 173 91	6 174 91
Double RJ 45 Cat. 6 UTP	6 170 92	6 172 92	6 173 92	6 174 92

3. DIMENSIONS

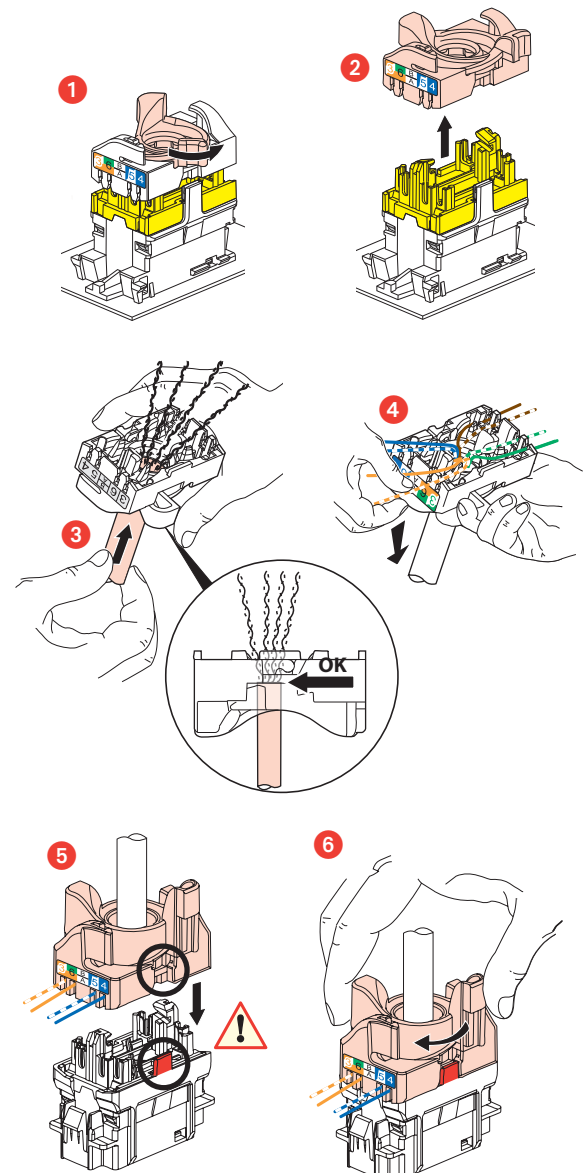


	A	B	C	D
6 17x 91/92	86	86	45	10

Distance of installation hole: 60,3 mm

4. CONNECTION

Recommended screwdriver size: 4 mm flat blade



5. TECHNICAL CHARACTERISTICS

■ 5.1 Mechanical characteristics

Impact tests: IK 02

Protection against solid bodies and liquids: IP 40

■ 5.2 Material characteristics

Thermoplastic with glossy finish

Colour: White T084

Ivory

Dark Grey

Brown

Halogen free

UV resistant

Self-extinguishing: 650° C / 30 s

■ 5.3 Electrical characteristics

Breakdown voltage ≥ 1000 V

Contact resistance $\leq \Omega$

Insulation resistance $\geq \Omega$

4 IDC type connections

Accept 0.4 to 0.8mm single core copper conductors (26 AWG to 20 AWG)

Contact blades gold plated on nickel (gold thickness: 0.8 μ m min.)

■ 5.4 Climatic characteristics

Storage temperature: - 10° C to + 70° C

Operating temperature: - 5° C to + 35° C

6. CLEANING

Surface cleaning with a soft, slightly damp cloth.

Do not use: acetone, tar remover, trichloroethylene.

Maintenance with the following products: Hexane (EN 60669-1), Methylated spirit, Soapy water, Diluted ammonia, Bleach diluted to 10%, Window-cleaning products.

Caution: An initial test is required for the use of other special maintenance products.

7. STANDARDS AND APPROVALS

Refer to IEC 11801, TIR568B.2