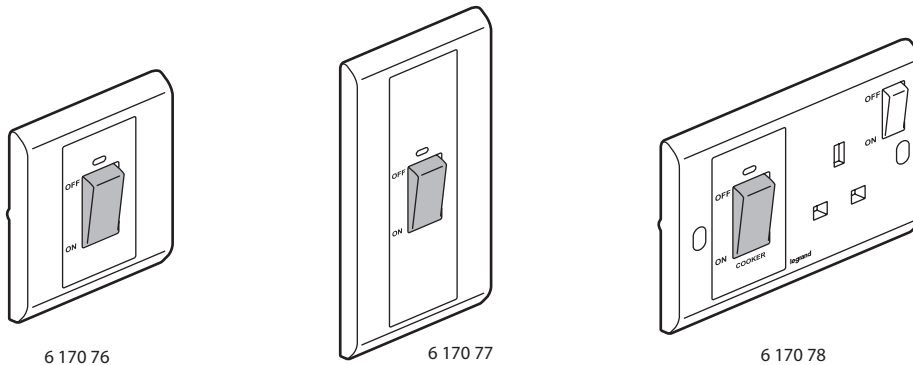


Belanko™ 45 A switches

Cat. No.(s): 6 170 75/76/77/78 - 6 172 75/76/77
 6 173 75/76/77/78 - 6 174 75/76/77/78



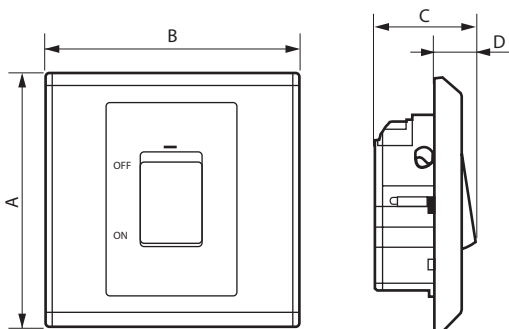
1. USE

High capacity double pole switch for the control of fixed appliances eg. cooker ovens, showers or air-conditioning units. Only available with neon «power on» indicator.
 Complete delivered.
 For flush-mounting or surface-mounting box.
 Supplied with 2 screws M3.5 for BS boxes.
 35 mm recommended depth back boxes.

2. RANGE

Description	White	Ivory	Dark Grey	Brown
2-gang 45 A DP switch + neon	6 170 77	6 172 77	6 173 77	6 174 77
1-gang 45 A DP switch + neon	6 170 76	6 172 76	6 173 76	6 174 76
1-gang 45 A DP switch	6 170 75	6 172 75	6 173 75	6 174 75
45 A DP switch + red neon and 13 A BS switched socket	6 170 78	-	6 173 78	6 174 78

3. DIMENSIONS



	A	B	C	D
6 17x 75/76	86	86	34.5	14
6 17x 77	146	86	34.5	14
6 17x 78	86	146	34	15.5

Profile size: 86 x 146 mm - 146 X 86 mm
 Distance of installation hole: 120.6 mm
 Profile size: 86 x 86 mm
 Distance of installation hole: 60.3 mm

4. CONNECTION

Type of terminals: with screws
 Terminal capacity: 1 x 16 mm² - 1 x 10 mm² - 2 x 6 mm² - 3 x 4 mm²
 Stripping length: 24 mm for L/N
 8 mm for earth
 Screwdriver size: 5.5 mm flat blade

5. TECHNICAL CHARACTERISTICS

■ 5.1 Mechanical characteristics

- Impact tests: IK 04
 - Protection against solid bodies and liquids: IP 40

■ 5.2 Material characteristics

Thermoplastic with glossy finish
 Colour: White T084
 Ivory
 Dark Grey
 Brown

Rear: grey
 Rocker: red
 Halogen free
 UV resistant

Self-extinguishing:

+ 850°C / 30 s for insulating parts holding live parts in place.
 + 650°C / 30 s for other parts made of insulating materials.

■ 5.3 Electrical characteristics

Voltage: 250 V~
 Current: 45 A

■ 5.4 Climatic characteristics

Storage temperature: - 10°C to + 70°C
 Operating temperature: - 5°C to + 35°C

6. CLEANING

Surface cleaning with a soft, slightly damp cloth.
 Do not use: acetone, tar remover, trichloroethylene.

Caution: An initial test is required for the use of other special maintenance products.

7. STANDARDS AND APPROVALS

Compliance with standards of installation and manufacturing.
 See e. catalogue.