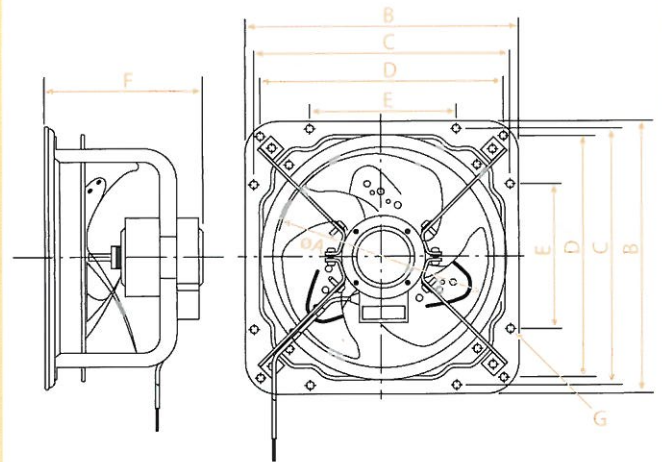


## 50GSC/60GSC

- Reversible
- Bell mouth construction with distinctive wave shape blade
- Durable powder coating
- High performance motor with thermal cut-off
- Able to be used over an ambient temperature range of from -10°C to +50°C
- Possible to install horizontally or vertically

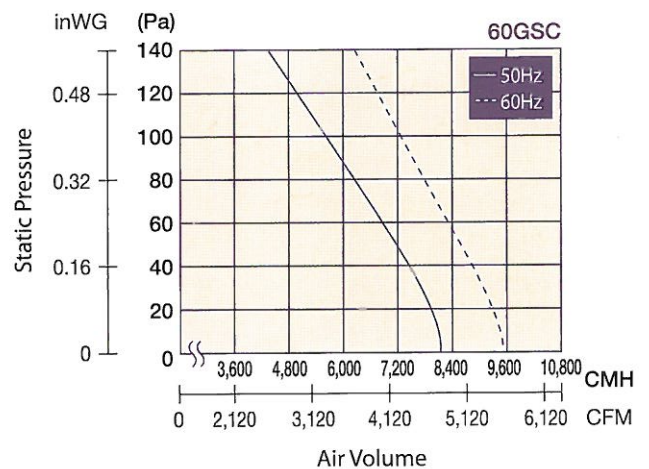
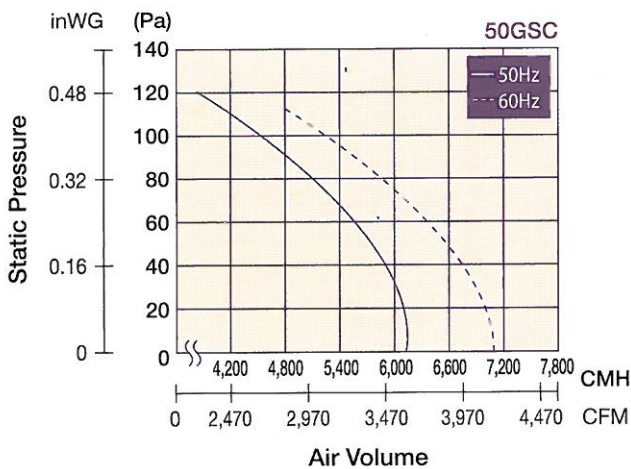
### Dimension

Unit : mm



Model No.	A	B	C	D	E	F	G
50GSC	500	659	620	560	355	315	15
60GSC	620	760	720	650	400	320	15

### Performance Data (220V 50Hz/60Hz)



### Specifications

Note: The value in Specification tables are representative characteristic value at 220V, 50/60Hz.

Model No.	Hz	Consumption [W]	R.P.M [min <sup>-1</sup> ]	Air Volume		Noise [dB(A)]	Weight [kg]
				[CMH]	[CFM]		
50GSC	50	249	960	6,130	3,608	47	22.5
	60	326	1,130	7,100	4,179	51	
60GSC	50	245	970	8,040	4,732	50	34
	60	361	1,150	9,410	5,538	54	