

## 40GSC/45GSC

Reversible

Bell mouth construction with distinctive wave shape blade

Durable powder coating

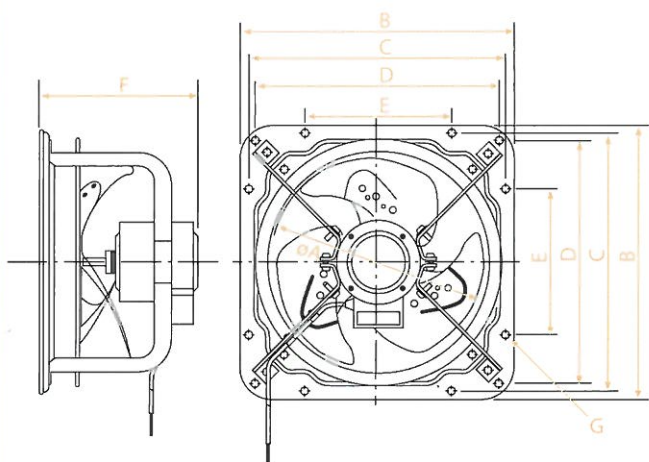
High performance motor with thermal cut-off

Able to be used over an ambient temperature range of from -10°C to +50°C

Possible to install horizontally or vertically

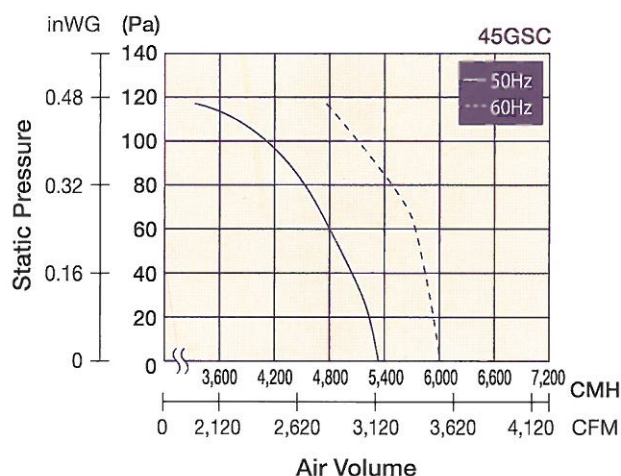
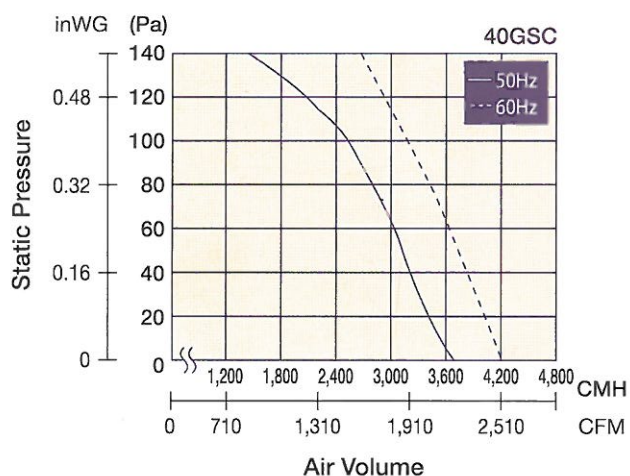
### Dimension

Unit : mm



| Model No. | A   | B   | C   | D   | E   | F   | G  |
|-----------|-----|-----|-----|-----|-----|-----|----|
| 40GSC     | 400 | 518 | 485 | 460 | 280 | 274 | 12 |
| 45GSC     | 450 | 570 | 540 | -   | 320 | 297 | 12 |

### Performance Data (220V 50Hz/60Hz)



### Specifications

Note: The value in Specification tables are representative characteristic value at 220V, 50/60Hz.

| Model No. | Hz | Consumption [W] | R.P.M [min <sup>-1</sup> ] | Air Volume |       | Noise [dB(A)] | Weight [Kg] |
|-----------|----|-----------------|----------------------------|------------|-------|---------------|-------------|
|           |    |                 |                            | [CMH]      | [CFM] |               |             |
| 40GSC     | 50 | 161             | 1,450                      | 3,610      | 2,124 | 47            | 19          |
|           | 60 | 210             | 1,710                      | 4,240      | 2,495 | 51            |             |
| 45GSC     | 50 | 227             | 1,410                      | 5,200      | 3,060 | 51            | 19          |
|           | 60 | 325             | 1,630                      | 5,970      | 3,513 | 54            |             |