

audio door entry kit with handset 1 apartment



3 690 00

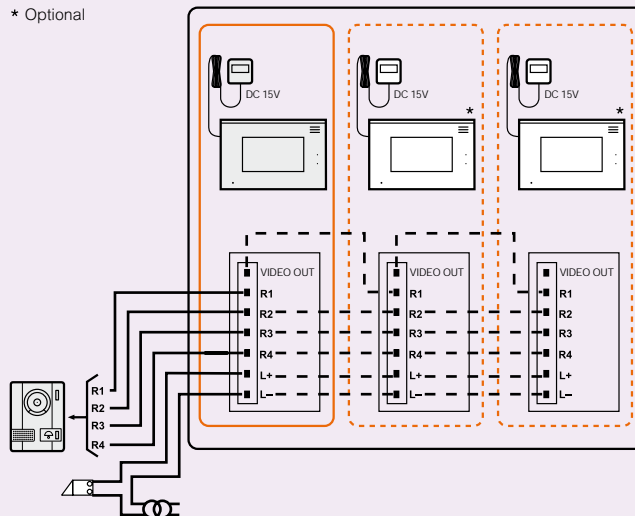
Surface-mounting street panel
2 wires (+ 2 to open the gate)
Opening of gate with handset
The system allows 2 additional audio internal units
Can be used as intercom within the house

| Pack | Cat.Nos | German standard |
|-------------------------|----------|---|
| 1 | 3 690 00 | Complete video kit Composition: - 1 slim street panel (entrance) - 1 audio handset with transformer equipped with German standard plug - 1 set of screws for wall fixing |
| 1 | 3 690 05 | Additional audio internal unit with transformer equipped with German standard plug |
| British standard | | |
| 1 | 3 690 03 | Complete video kit Composition: - 1 slim street panel (entrance) - 1 audio handset with transformer equipped with British standard plug - 1 set of screws for wall fixing |
| 1 | 3 690 08 | Additional audio internal unit with transformer equipped with British standard plug |

video and audio door entry kits wiring diagrams

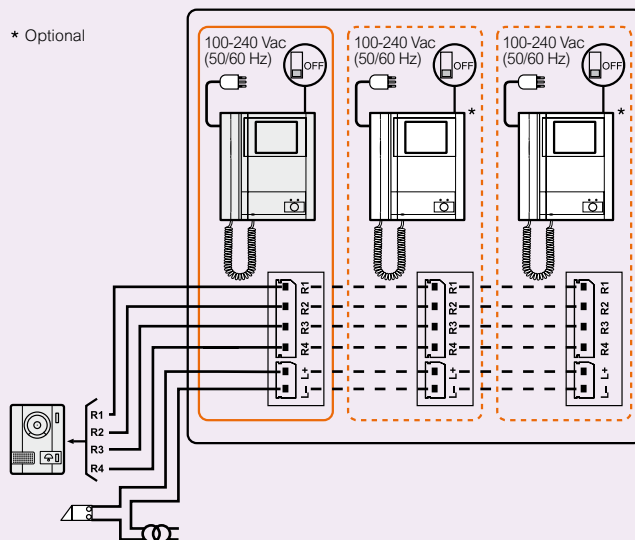
■ Colour screen analog video kit - Hands free

* Optional



■ Colour screen analog video kit - with handset

* Optional



■ Audio kit - with handset

* Optional

