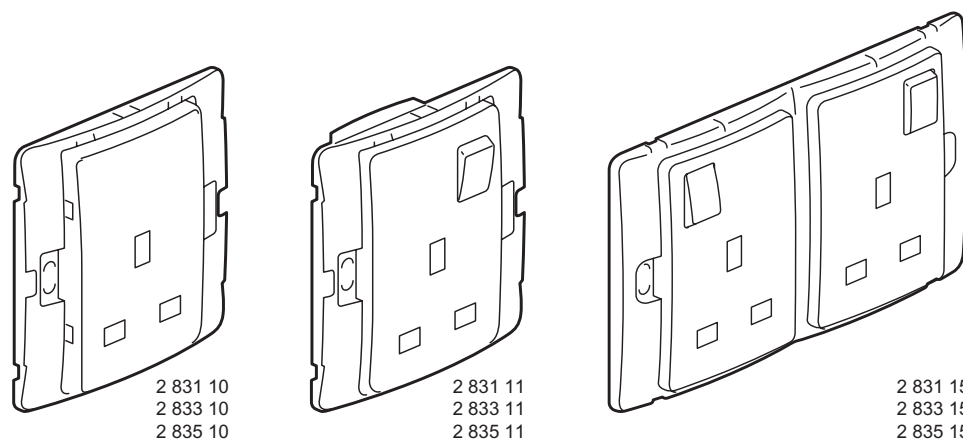


Mallia™ - 13 A switched & unswitched socket outlets dressable colour

Cat. No(s): 2 831 10/11/12/13/14/15
2 833 10/11/12/13/14/15
2 835 10/11/12/13/14/15



CONTENTS	Pages
1. Use	1
2. Range	2
3. Preparation	2
4. Overall dimensions	2
5. Connection	3
6. Operation	3
7. Technical characteristics	3
8. Cleaning	3

1. USE

General switched and unswitched 13 A socket outlets for use BS 1363 fused plugs.

2. RANGE

	Designation	Finishes			Connection method	Weight (g)	Characteristics
		Silver	Pearl	Dark silver			
	1 gang unswitched socket outlet	2 831 10	2 833 10	2 835 10	with screws	70	13 A - 250 VAC
	1 gang switched socket outlet	2 831 11	2 833 11	2 835 11	with screws	71	13 A - 250 VAC
	2 gang unswitched socket outlet	2 831 12	2 833 12	2 835 12	with screws	116	13 A - 250 VAC
	2 gang switched socket outlet	2 831 13	2 833 13	2 835 13	with screws	122	13 A - 250 VAC
	1 gang switched socket outlet with red indicator	2 831 14	2 833 14	2 835 14	with screws	71	13 A - 250 VAC
	2 gang switched socket outlet with red indicator	2 831 15	2 833 15	2 835 15	with screws	122	13 A - 250 VAC

Mallia™ - 13 A switched & unswitched socket outlets dressable colour

Cat. No(s): 2 831 10/11/12/13/14/15
 2 833 10/11/12/13/14/15
 2 835 10/11/12/13/14/15

3. PREPARATION

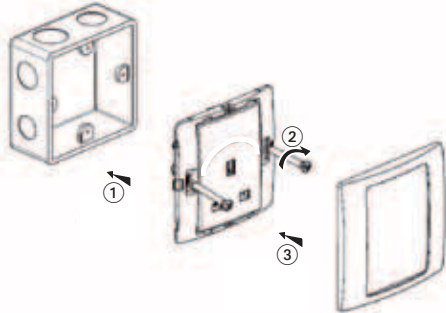
Flush-mounting:

- All products supplied with 2 x M 3.5 fixing screws.
- It is recommended that redundant top and bottom fixing lugs in metal back boxes are bent back to increase room for mechanism and their attendant wiring.
- 25 mm minimum depth back boxes suitable for 13 A sockets.
- 35 mm recommended depth back boxes for extra wiring space.

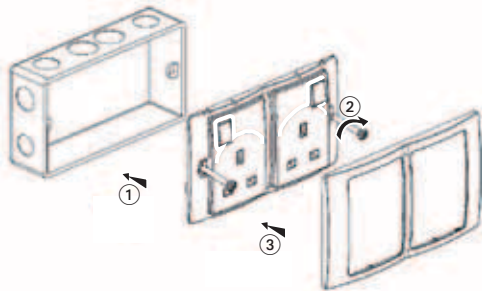
Surface mounting:

- 1 gang 35 mm minimum deep pattress
- 2 gang 35 mm minimum deep pattress

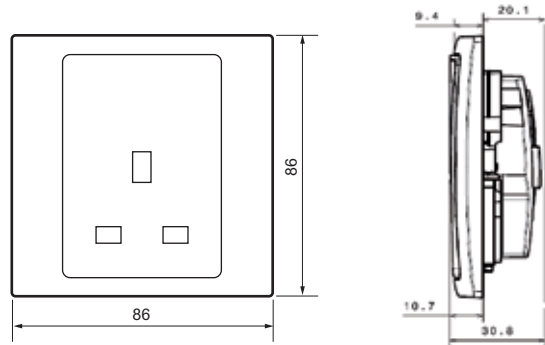
3.1 General preparation for 2 831 10/11/14 - 2 833 10/11/14 - 2 835 10/11/14



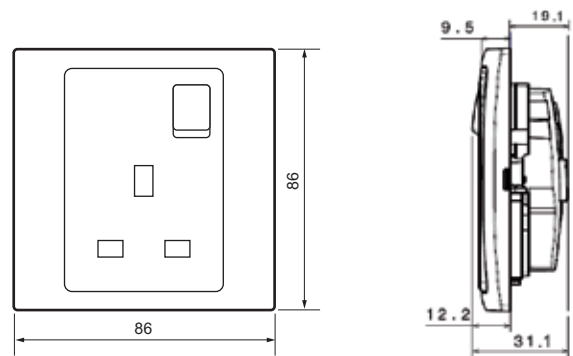
3.2 General preparation for 2 831 12/13/15 - 2 833 12/13/15 - 2 835 12/13/15



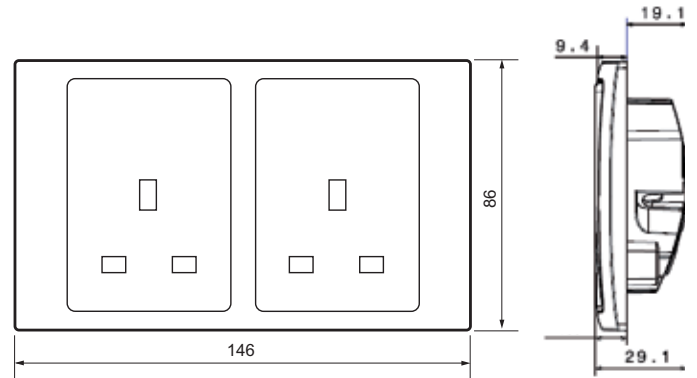
4. OVERALL DIMENSIONS



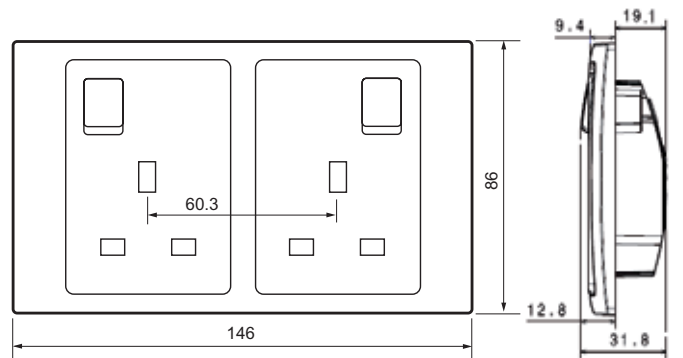
Profile size: 86 x 86 mm
 Distance of installation hole: 60.3 mm
 Cat. Nos.: 2 831 10 - 2 833 10 - 2 835 10



Profile size: 86 x 86 mm
 Distance of installation hole: 60.3 mm
 Cat. Nos.: 2 831 11/14 - 2 833 11/14 - 2 835 11/14



Profile size: 146 x 86 mm
 Distance of installation hole: 120.6 mm
 Cat. Nos.: 2 831 12 - 2 833 12 - 2 835 12



Profile size: 146 x 86 mm
 Distance of installation hole: 120.6 mm
 Cat. No.: 2 831 13/15 - 2 833 13/15 - 2 835 13/15

Mallia™ - 13 A switched & unswitched socket outlets dressable colour

Cat. No(s): 2 831 10/11/12/13/14/15
2 833 10/11/12/13/14/15
2 835 10/11/12/13/14/15

5. CONNECTION

5.1 Terminals

Terminal capacity: 3 x 2.5 mm²
3 x 4.0 mm²
2 x 6.0 mm²

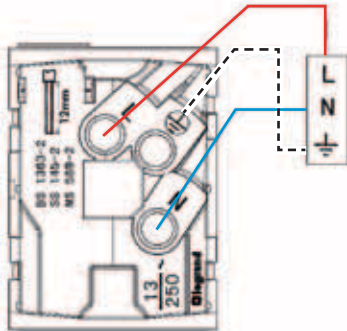
Stripping: 12 mm

The number of terminal earth depends on Cat. No.

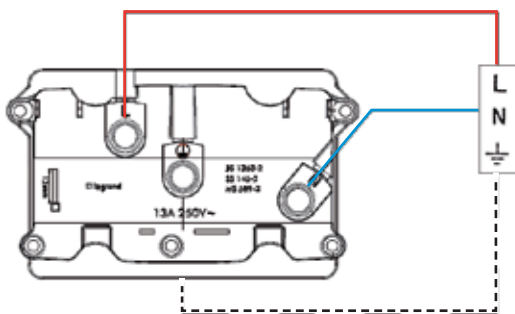
Recommended screwdriver size: 4 mm flat blade

Recommended terminal tightening torque: 0.8 Nm

5.2 Circuit diagrams



Cat. No.s: 2 831 10/11/14 - 2 833 10/11/14 - 2 835 10/11/14



Cat. No.s: 2 831 12/13/15 - 2 833 12/13/15 - 2 835 12/13/15

6. OPERATION

Standard operation by insertion or withdrawal of a plug to normalized standard

7. TECHNICAL CHARACTERISTICS

7.1 Mechanical characteristics

Impact tests: IK04

Protection against liquids: IP41

Patented 3-pin operated shutter mechanism.

Terminals all supplied in backed-off position.

7.2 Material characteristics

Rocker: Polycarbonate

Frame: Polycarbonate

Support: Polycarbonate

Base: Polypropylene

7.3 Electrical characteristics

Self-extinguishing: 650°C / 30 s

Voltage: 250 VAC

Current: 13 A

7.4 Climatic characteristics

Storage temperatures: - 10°C to + 70°C

Operating temperatures: - 5°C to + 50°C

8. CLEANING

Surface cleaning with a cloth.

Do not use: acetone, tar remover, trichloroethylene.

Resistance to the following cleaning agents:

Hexane (EN 60669-1), Methylated spirits, Soapy water, Diluted ammonia, Diluted pure bleach 10 %, Glass cleaning substance, Pre-impregnated wipes.

Caution: a preliminary test should be carried out if other specific cleaning products are to be used.