



25GSC/30GSC/35GSC

Reversible

Bell mouth construction with distinctive wave shape blade

Durable powder coating

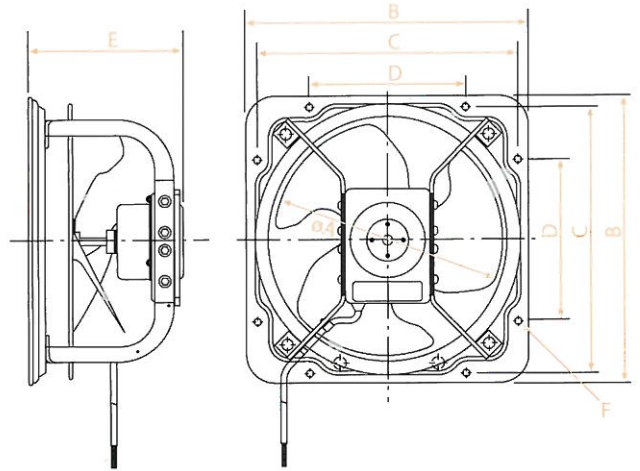
High performance motor with thermal cut-off

Able to be used over an ambient temperature range of from -10°C to +50°C

Possible to install horizontally or vertically

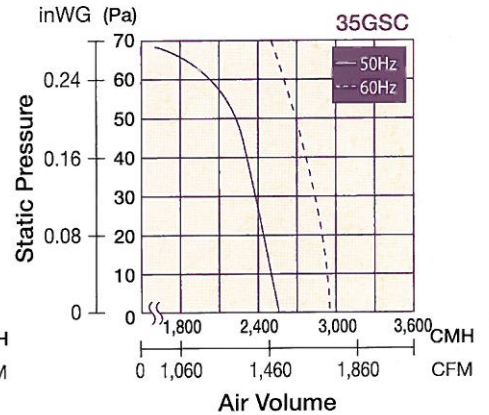
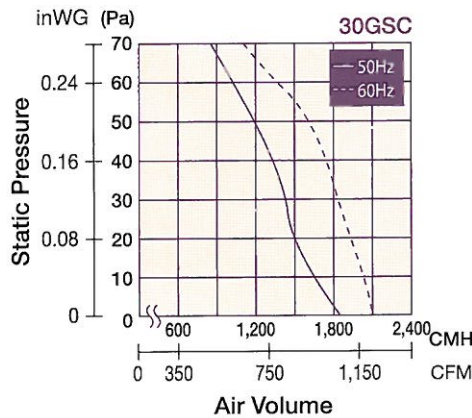
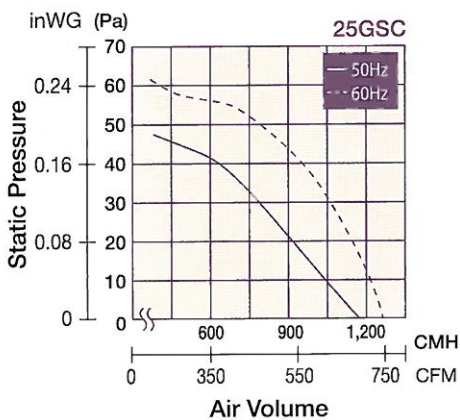
Dimension

Unit : mm



Model No.	A	B	C	D	E	F
25GSC	250	327	298	165	171	10
30GSC	300	378	349	210	200	10
35GSC	350	467	434	250	236	12

Performance Data (220V 50Hz/60Hz)



Specifications

Note: The value in Specification tables are representative characteristic value at 220V, 50/60Hz.

Model No.	Hz	Consumption [W]	R.P.M [min ⁻¹]	Air Volume		Noise [dB(A)]	Weight [kg]	
				[CMH]	[CFM]			
25GSC	50	39	1,360	1,150	676	34	6.1	
	60	47	1,560	1,250	735	39		
30GSC	50	59	1,360	1,820	1,071	38		
	60	80	1,560	2,080	1,224	42		
35GSC	50	88	1,420	2,560	1,506	44		10.5
	60	127	1,660	2,940	1,730	48		

