

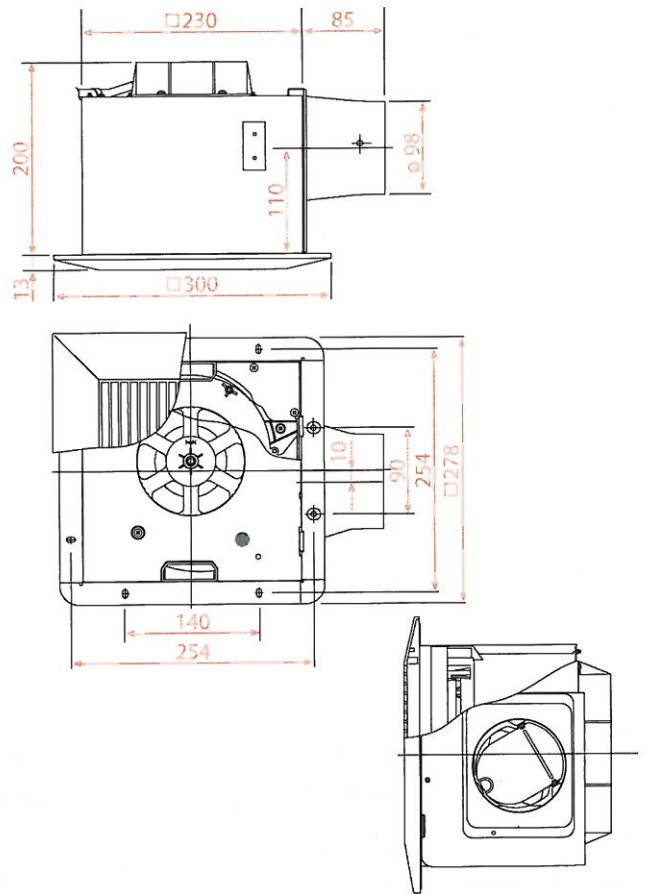


24CUF / 24CDF / 24CHF

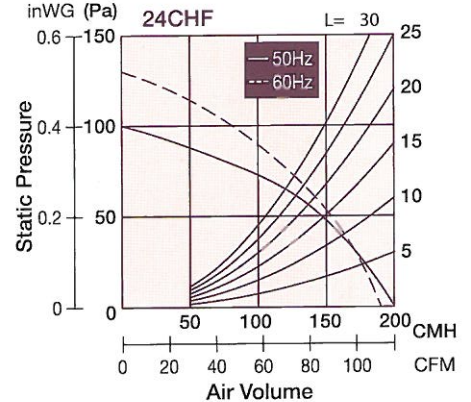
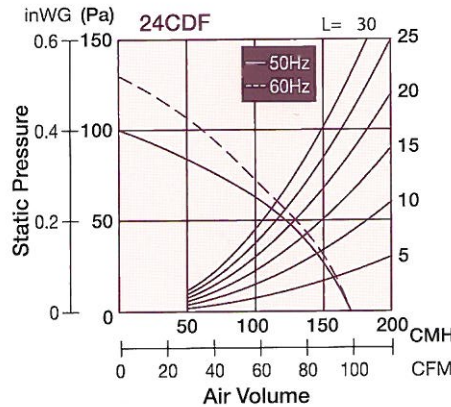
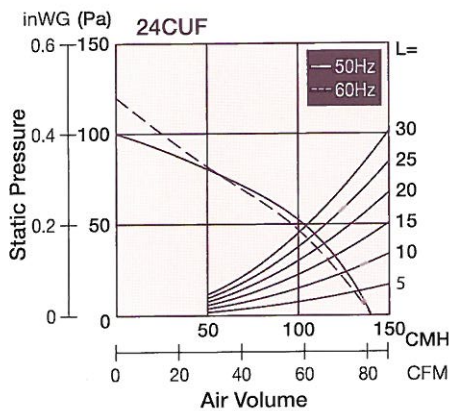
- Condenser motor with thermal cut-off
- Well lubricated bearing for long life operation
- Pre-installed power cord
- Resonance-Noise-Absorption structure
- High performance taper blade designed sirocco fan

Dimension

Unit : mm



Performance Data (220V 50Hz/60Hz)



Specifications

Note: The value in Specification tables are representative characteristic value at 220V, 50/60Hz.

Model No.	Hz	Consumption [W]	R.P.M [min ⁻¹]	Air Volume		Noise [dB(A)]	Weight [kg]	Installation space [mm]	Applicable pipe [mm]
				[CMH]	[CFM]				
24CUF	50	14	690	140	82	28	2.9	240 x 240	ø 100
	60	16	690	140	82	29			
24CDF	50	17	790	170	100	31	3.0	240 x 240	ø 100
	60	19	805	170	100	33			
24CHF	50	20	870	200	118	35	3.0	240 x 240	ø 100
	60	24	840	190	112	35			