

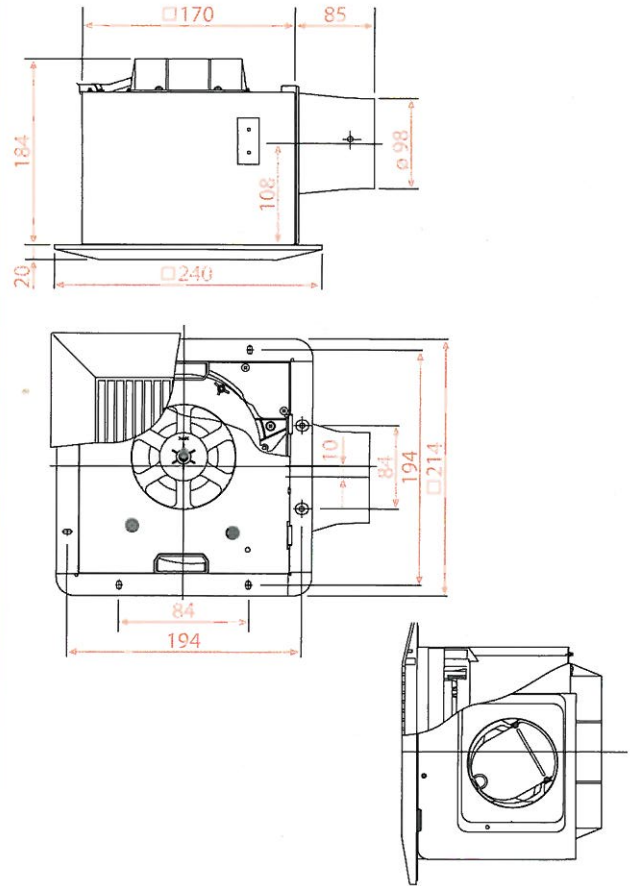


## 17CUF

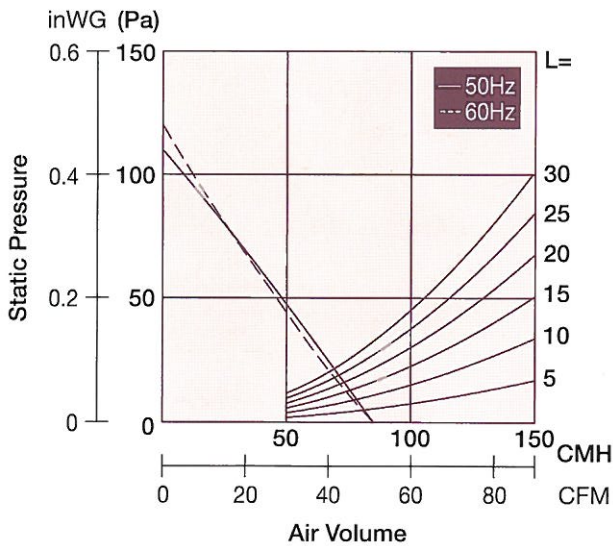
- Condenser motor with thermal cut-off
- Well lubricated bearing for long life operation
- Pre-installed power cord
- Resonance-Noise-Absorption structure
- High performance taper blade designed sirocco fan

### Dimension

Unit : mm



### Performance Data (220V 50Hz/60Hz)



### Specifications

Note: The value in Specification tables are representative characteristic value at 220V, 50/60Hz.

Model No.	Hz	Consumption [W]	R.P.M [min <sup>-1</sup> ]	Air Volume		Noise [dB(A)]	Weight [Kg]	Installation space [mm]	Applicable pipe [mm]
				[CMH]	[CFM]				
17CUF	50	11	790	85	50	26	1.9	177 x 177	ø 100
	60	11	800	85	50	28			