

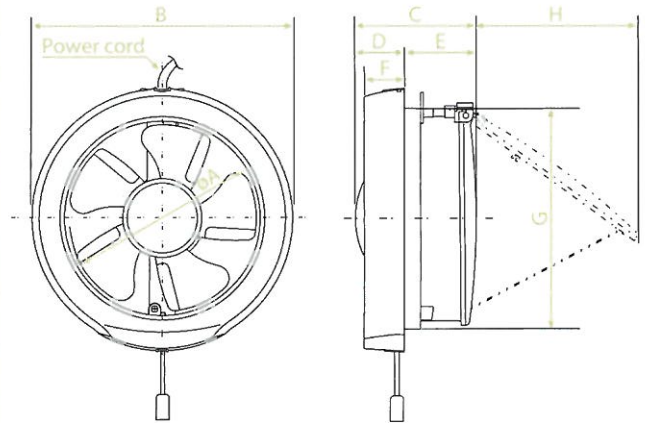


15WUD/20WUD

- HP Condenser motor with thermo cut-off
- Well lubricated bearing for long life operation
- Propeller fan incorporated with advanced blade design
- Shutter operated by pull cord
- Metallic shutter axis

Dimension

Unit : mm



Recommended Glass Thickness = 3 - 7 mm

Model No.	A	B	C	D	E	F	G	H
15WUD	150	210	97	43	54	37	177	149
20WUD	200	271	98	36	62	36	237	201

Specifications

Note: The value in Specification tables are representative characteristic value at 220V, 50/60Hz.

Model No.	Hz	Consumption [W]	R.P.M [min ⁻¹]	Air Volume		Noise [dB(A)]	Weight [Kg]	Installation Size [mm]
				[CMH]	[CFM]			
15WUD	50	8	1,463	210	124	35	0.9	ø 186 - 188
	60	9	1,393	198	117	34		
20WUD	50	16	1,042	360	212	32	1.1	ø 247 - 250
	60	19	1,024	360	212	31		