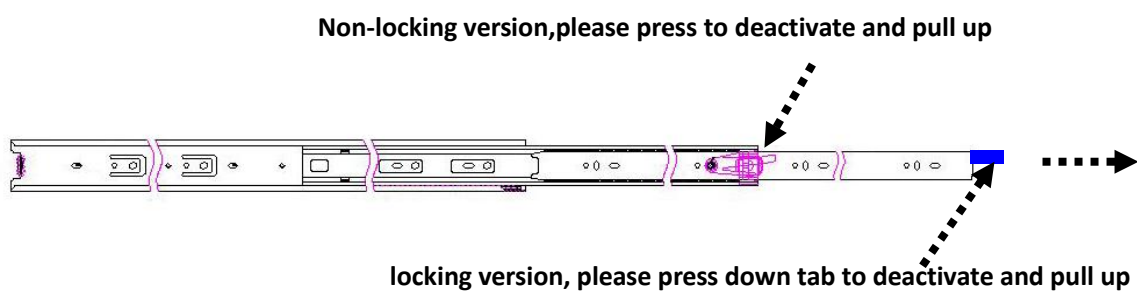


THE INSTRUCTION OF TEST/INSTALLATION

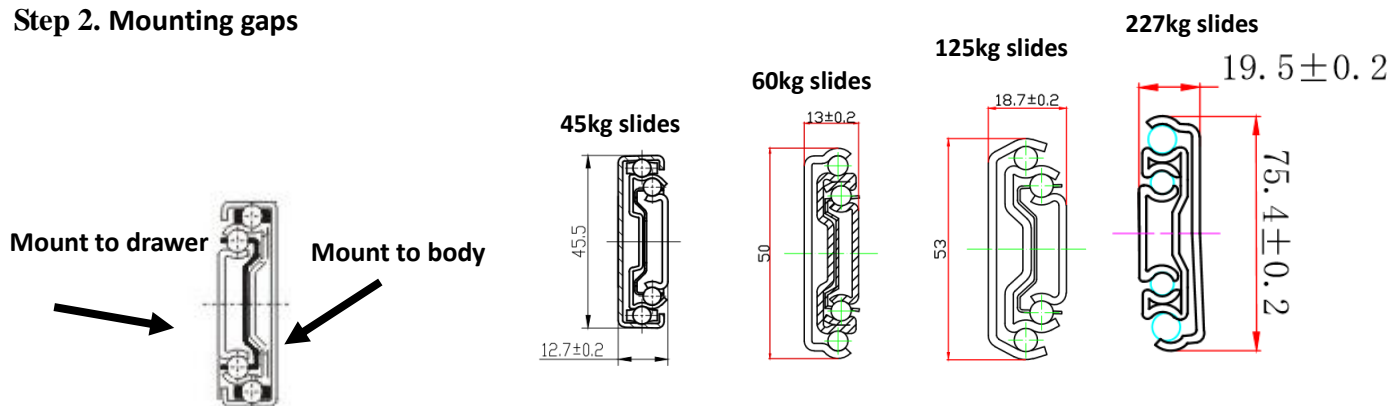
Before attempting to install test slides to drawer, it is necessary to remove the drawer from the body. To do this, pull the drawer out as far as it can go then locate the small black plastic stops visible on the ball bearing drawer slides. One of the black stops will need to be deactivated by pressed down and the other one pulled up. Be careful not to break plastic stops. While deactivating the stops pull the slides out and separate it. After installing drawer, make sure slides(left and right slide) are exactly in the same position of the body, then line up the slides and push the drawer back in.

Step 1.



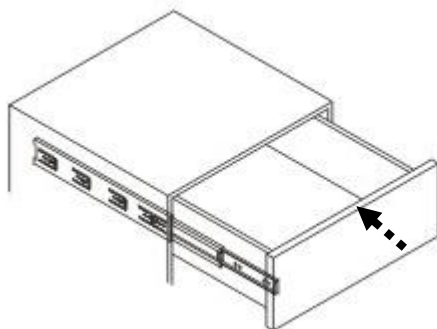
"227kg runners all the length are designed as not come apart. This is for precise installation purpose."

Step 2. Mounting gaps



Step 3 Line up the slides and push the drawer back in.

Locking version, please press down tab to deactivate, line up in right position and pull back carefully



Step 4 Don't over draw out or pull back slides during durable cycle test, 5mm gaps have to be kept between top and bottom dead center.