



# CORAL

## LINEAR ROD PENDANT (x4)

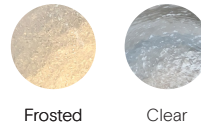
Designed and Handmade by Oliver Höglund & Ryan Roberts

Molten hot glass shaped and hand-blown at one thousand degrees cel-sius. Four flat disc shape made with quality Swedish clear glass.

The free formation design ensures that no two pieces are the same, giving you a truly aesthetic piece for your space.

Hand Made in Currumbin, Australia.

### GLASS FINISH



Frosted

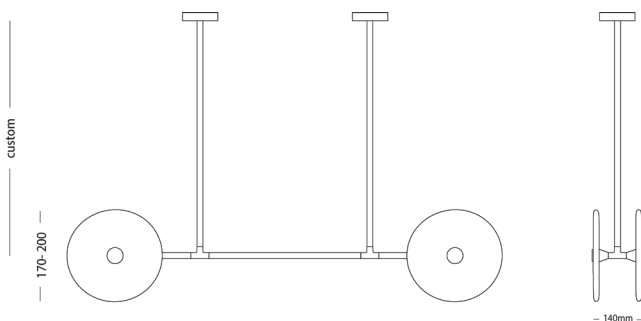
Clear



### TECHNICAL DATA

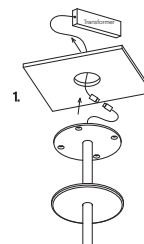
Application	Interior Use Only	Input Power	100 - 240VAC
Glass Colour	Clear / Frosted	Output Voltage (Standard)	12V DC Driver (350mA Constant Current) Supplied with Remote Driver
Cover Cap Finish	Brass Finish / Matte Black / Matte White / Steel Finish / Medium Bronze Powdercoat	Dedicated LED	4 x 1W - 350mA (Standard) 4 x 2W - 350mA (additional cost) Lifespan - 60,000+ Hours
Rod Suspensions	Brass Finish / Matte Black / Matte White / Steel Finish / Medium Bronze Powdercoat	Colour Temperature	2700K / 3000K (Standard) / 4000K
Ceiling Canopy	Brass Finish / Matte Black / Matte White / Steel Finish . Medium Bronze Powdercoat	Dimming	Yes - Dimmable TRIAC/Phase (Standard) Dimmable DALI (additional cost) Please contact for alternative dimming
Dimensions	Glass Diameter: 170-200mm Glass Thickness: 10-20mm Linear Rod: 1000mm	Warranty	24 Months / 2 Years
Measurement between vertical rods - 500mm		Certification	CE / AS/NZS - 60598.2.1

### DIMENSIONS



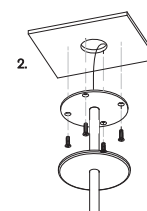
### MOUNTING

#### Installation Instructions

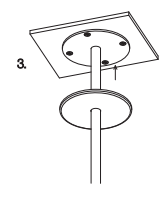


Prep the ceiling with an approx. 50mm hole to fit the transformer. Place the transformer in the ceiling and feed the cable through the hole into the room. Connect the single electrified cable to the transformer.

\*The transformer needs to be accessible for maintenance purposes.



Screw the steel mounting plate to the ceiling using appropriate fasteners for the ceiling substrate.



Secure the magnetic cover plate onto the mounting plate.