



# CORAL DUO PENDANT

Designed and Handmade by Oliver Höglund & Ryan Roberts

Molten hot glass shaped and hand-blown at one thousand degrees cel-sius. Two flat disc shape made with quality Swedish clear glass.

The free formation design ensures that no two pieces are the same, giving you a truly aesthetic piece for your space.

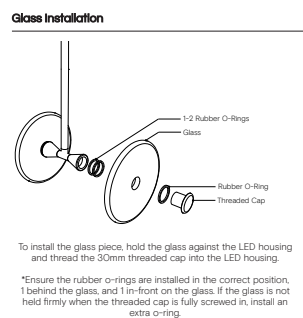
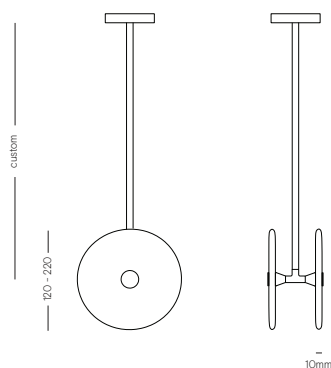
Hand Made in Currumbin, Australia.



## TECHNICAL DATA

Application	Interior Use Only	Input Power	100 - 240VAC
Glass Colour	Frosted / Clear	Output Voltage Standard	4V DC Driver (350mA Constant Current) Supplied with Remote Driver
Suspension Rod	Natural Brass / Matte Black / Matte White / Steel Finish / Medium Bronze Powdercoated	Dedicated LED	2 x 1W - 350mA (Standard) 2 x 2W - 350mA (additional cost) Lifespan - 60,000+ Hours
Glass Diameter	Small: 120 - 140mm Medium: 150 - 170mm Large: 200 - 220mm  Glass thickness: 10-20mm	Colour Temperature	2700K / 3000K (Standard) / 4000K
Rod Length	1200mm (custom lengths available)	Dimming	Yes - Dimmable TRIAC/Phase (Standard) Dimmable DALI (additional cost) Please contact for alternative dimming
		Warranty	24 Months / 2 Years
		Certification	CE / AS/NZS - 60598.2.1

## DIMENSIONS



## MOUNTING

