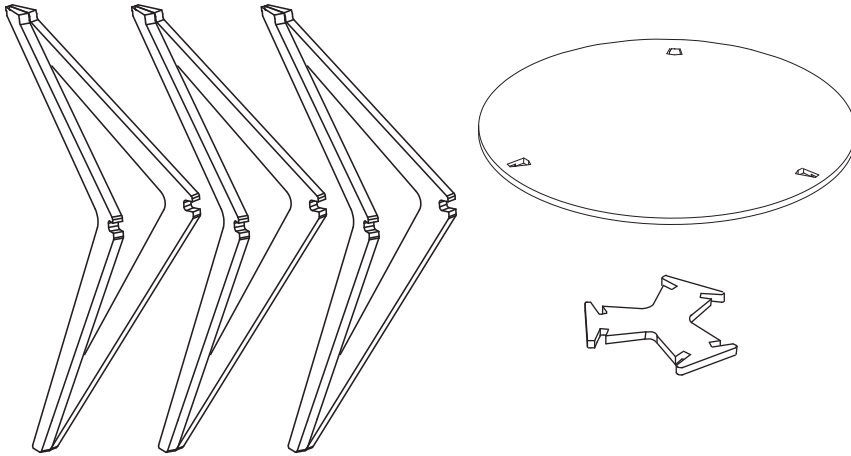
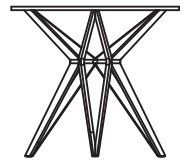
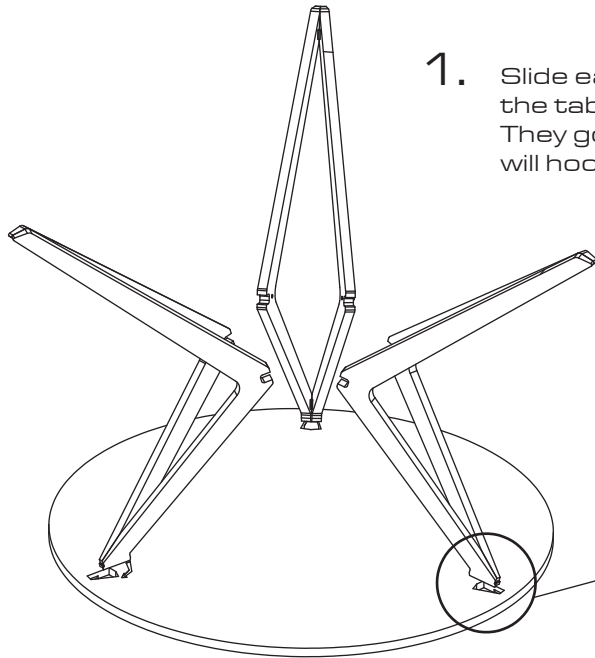


# Round Table Assembly



The Round Table consists of only 3 sets of legs, table top and a mid connector; requiring no tools for assembly.



1. Slide each set of legs into the slots on the underside of the table top. They go in at a slight angle and then a little bit of force will hook them securely into place.

2. Slide the middle connector in between the 3 legs, a push firmly into place.

