

# PANGEN

Historical Archive, 2012

This lampshade is a fluid, minimal dome shape, its lacquer finish and modern colors ensuring surprising lighting. Available in suspension and ceiling mounted versions.



## RELATED PRODUCTS

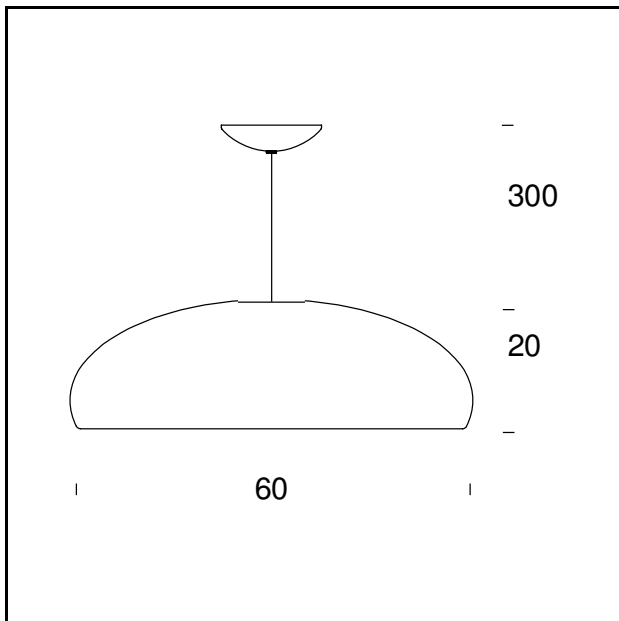


## PANGEN

*Ceiling Lamp*

**TECHNICAL SHEET**

Suspension lamp. Body in white painted aluminum BI (RAL 9003 gloss), black N (RAL 9005 gloss), red R (RAL 3004 gloss), green V (RAL 6003 gloss) and orange AR (RAL 2010 gloss). The diffuser screen is in satin-finish polycarbonate. Clear power cable. Chromed ceiling rose.



**MODEL NAME:** Pangen

**CODE:** 4196..

**DIMENSIONS:**  $\varnothing$  60 × 20 + 300 cm

**MATERIALS:** Metal

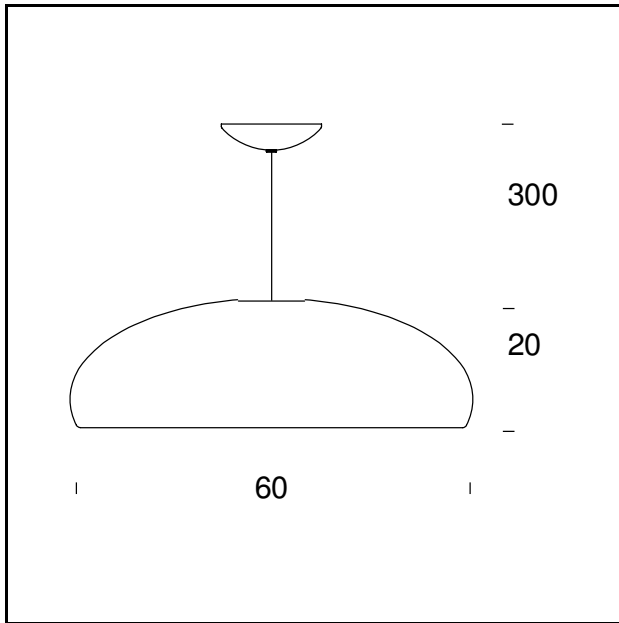
**COLORS**

- Black - RAL Code: RAL 9005 Gloss
- Green - RAL Code: RAL 6003 Gloss
- Orange - RAL Code: RAL 2010 Gloss
- Red - RAL Code: RAL 3004 Gloss
- White Gloss - RAL Code: RAL 9003 Gloss

**BULB:** 3×42W (HA) E27

**POWER CORD:** Transparent

**CERTIFICATIONS AND SYMBOLS:**



**MODEL NAME:** Pangen led

**CODE:** 4334..

**DIMENSIONS:**  $\varnothing 60 \times 20 + 300$  cm

**MATERIALS:** Metal

#### COLORS

- Black - RAL Code: RAL 9005 Gloss
- Green - RAL Code: RAL 6003 Gloss
- Orange - RAL Code: RAL 2010 Gloss
- Red - RAL Code: RAL 3004 Gloss
- White Gloss - RAL Code: RAL 9003 Gloss

**BULB:** 28,6W Led (3000K, CRI>80, 3650 Lm)

**POWER CORD:** transparent

#### CERTIFICATIONS AND SYMBOLS:

CE IP20

Subject to technical modifications and modifications to content