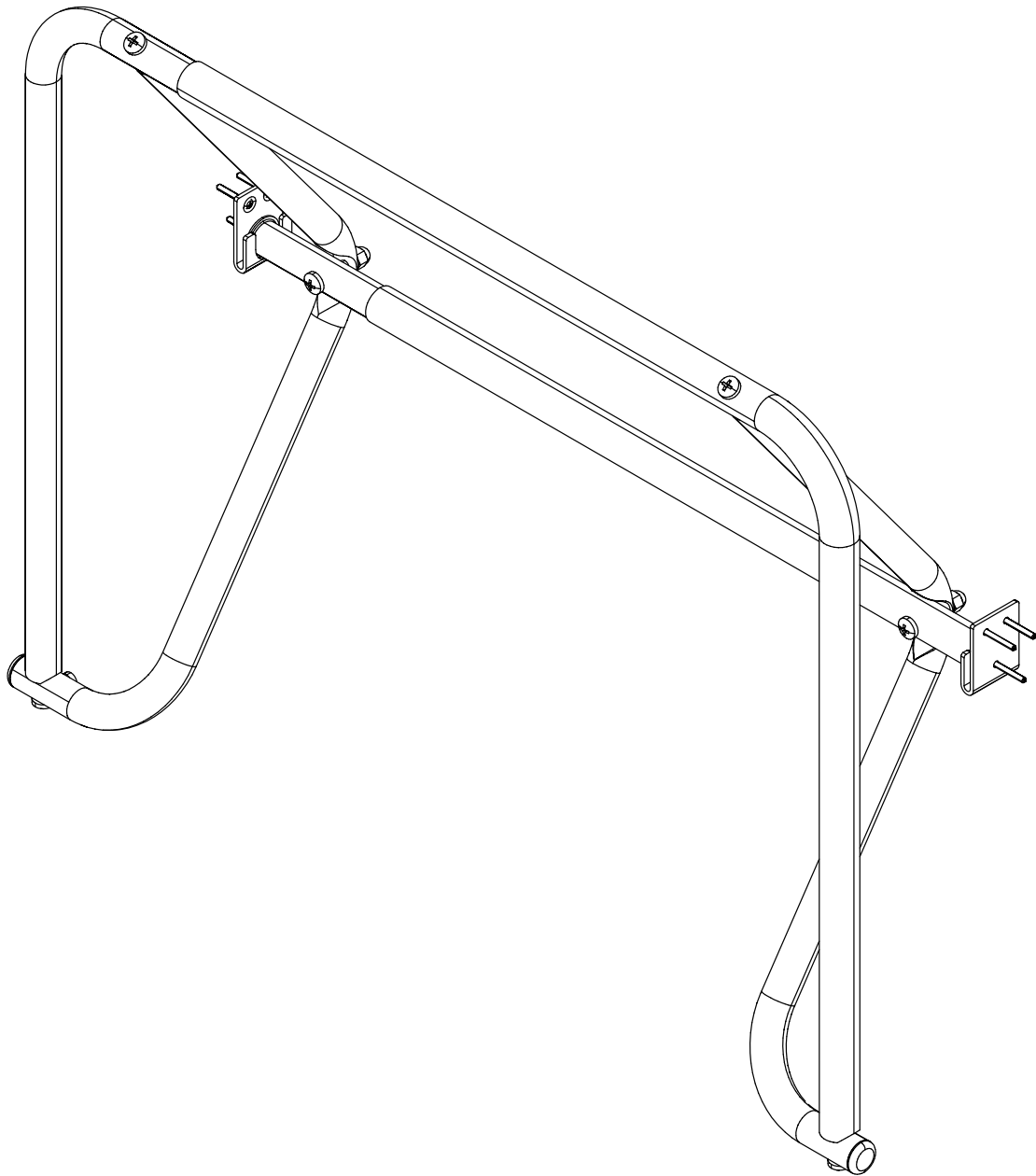


Body-Solid®

Built for Life

PUB-34



Assembly Instructions

OWNER'S & MANUAL

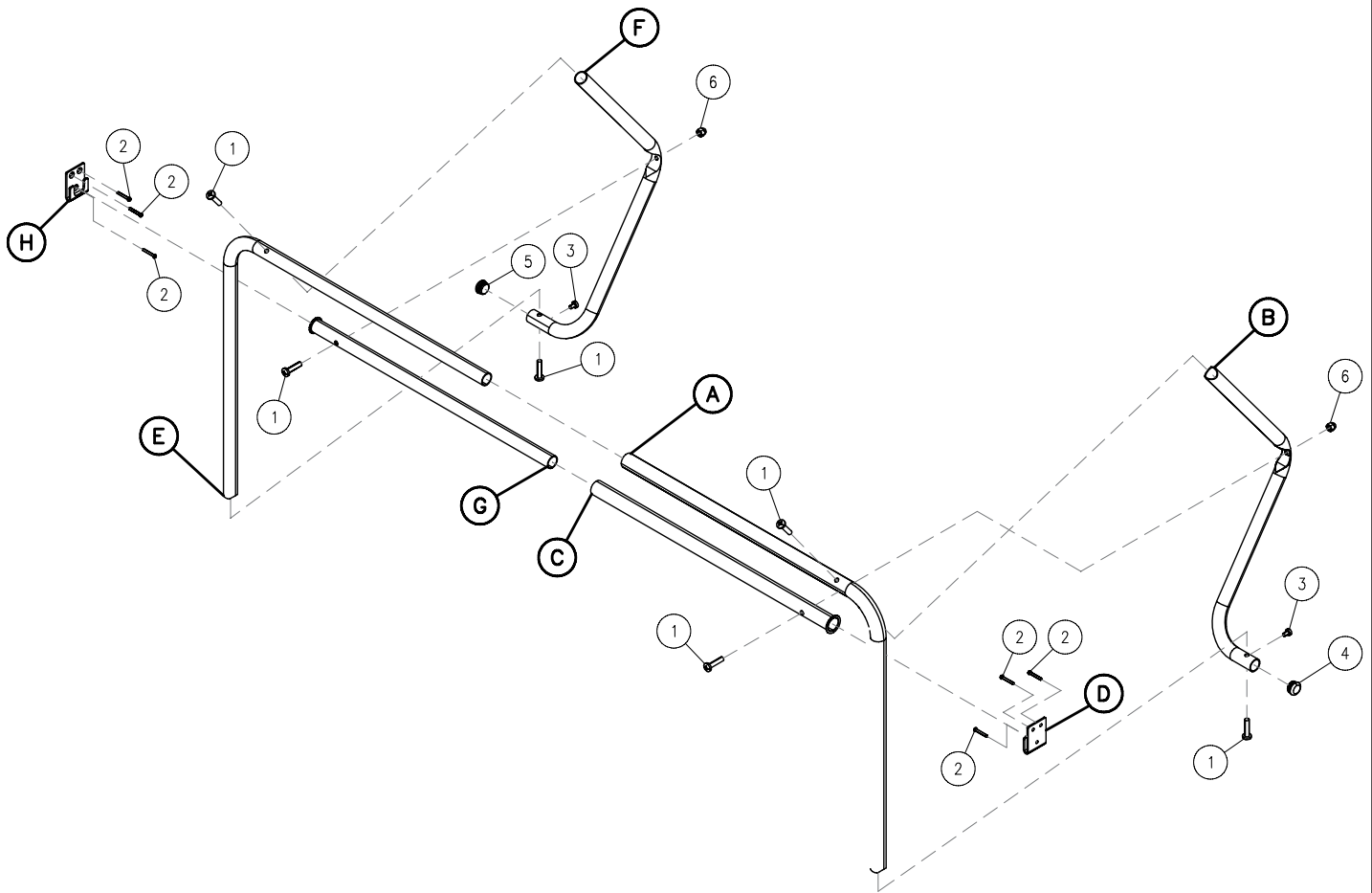
PUB-34 INSTRUCTIONS

1. Attach Left Frame Connector (**H**) and Right Frame Connector (**D**) to your door frame and have the top of the connectors at least 1 1/2" below the cross member of your door frame using a total of:
6 - (#2) 5/32"X1 1/8" Wood Screw
2. Attach Left V-Frame (**F**) to Left Post (**G**) and Right V-Frame (**B**) to Right Post (**C**) using a total of:
2 - (#1) 1/4"X1 3/8" Cross Screw
2 - (#6) 1/4" Acorn Nut
3. Insert Left Post (**G**) into Right Post (**C**). Attach the end of Left Post (**G**) into Left Frame Connector (**H**) and the end of Right Post (**C**) into the Right Frame Connector (**D**) that are mounted on your door frame to obtain proper length.
4. Attach Left Frame (**E**) to Left Post (**G**) and Left V-Frame (**F**) using a total of:
2 - (#1) 1/4"X1 3/8" Cross Screw
5. Insert Right Frame (**A**) onto Left Frame (**E**) and then attach Right Frame (**A**) to Right Post (**C**) and Right V-Frame (**B**) using a total of:
2 - (#1) 1/4"X1 3/8" Cross Screw
6. Insert a Large Round End Cap (**#4**) and Rubber Plug (**#3**) into end openings of Right V-Frame (**B**) and insert Small Round End Cap (**#5**) and Rubber Plug (**#3**) into end openings of Left V-Frame (**F**).

Hardware / Part List

Part	Qty	Description
1	6	1/4"X1 3/8" CROSS SCREW
2	6	5/32"X1 1/8" WOOD SCREW
3	2	RUBBER PLUG
4	1	LARGE ROUND END CAP
5	1	SMALL ROUND END CAP
6	2	1/4" ACORN NUT
A	1	RIGHT FRAME
B	1	RIGHT V-FRAME
C	1	RIGHT POST
D	1	RIGHT FRAME CONNECTOR
E	1	LEFT FRAME
F	1	LEFT V-FRAME
G	1	LEFT POST
H	1	LEFT FRAME CONNECTOR

PUB-34 EXPLODED VIEW



NOTE:

1. Left and Right are referenced from looking at the front view of your PUB-34 and your door frame.
2. Your parts should be labeled with L and R stickers, if your parts are not labeled then parts E, F, G, H go on the left and are the smaller diameter parts (25mm) and parts A, B, C, D go on the right and are the larger diameter parts (28mm).
3. PUB-34 fits residential doorways 24" to 32" and can support up to 300lbs. However, any upward force can cause the PUB-34 to dislodge from position.
4. Pre-cautionary measures should be used to avoid damage to door frames constructed of unconventional or inferior materials.
5. PUB-34 is not designed for permanent installation and should not be used as a jungle gym, kids should not swing or hang by their legs as this could result in serious injury.

Body-Solid[®]
Built for Life

PUB - 34

1900 S. Des Plaines Ave.
Forest Park, Il 60130
Phone:(708)427-3555
Fax:(708)427-3556
Hours: M-F 8:30 - 5:00 CST

www.bodysolid.com