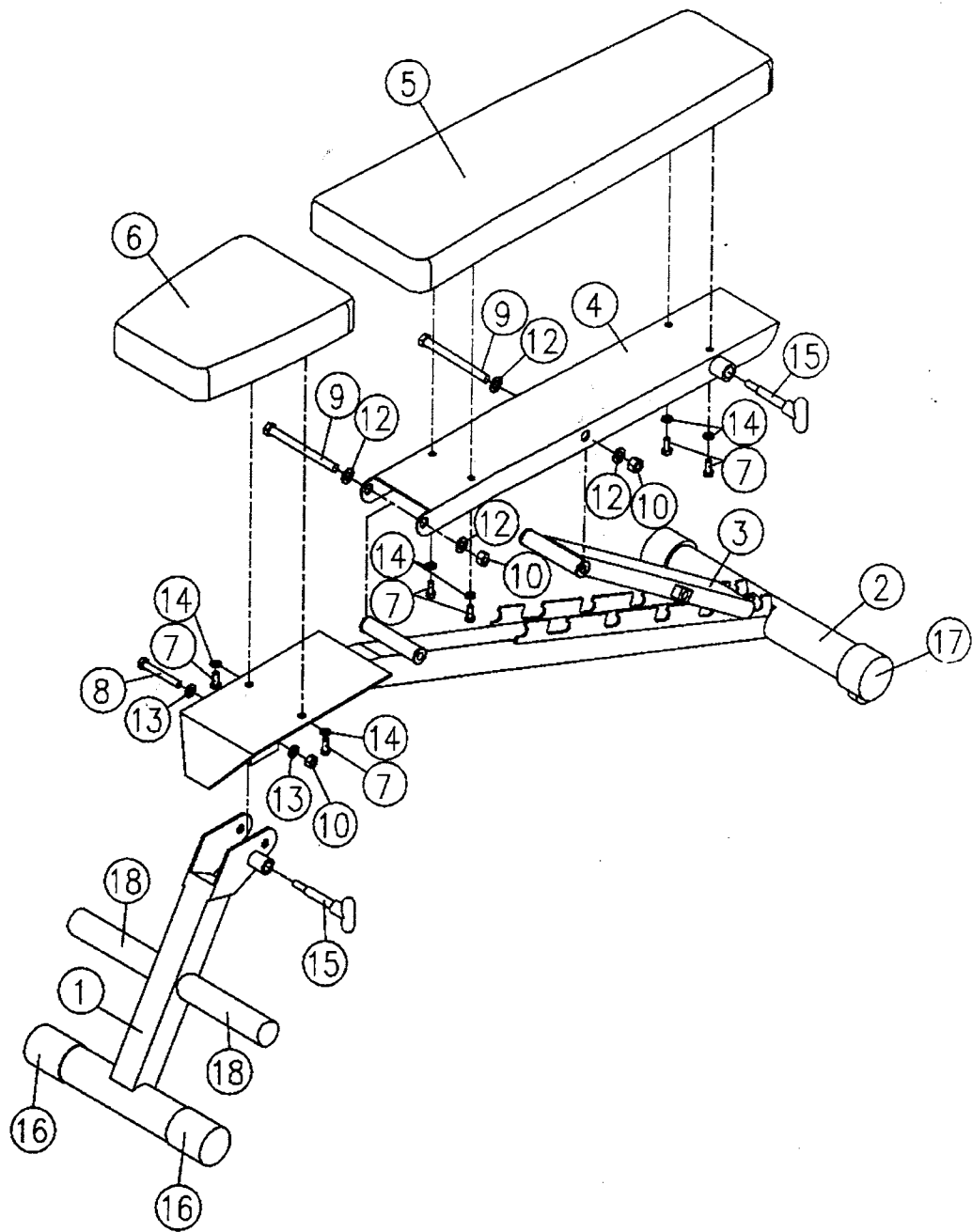
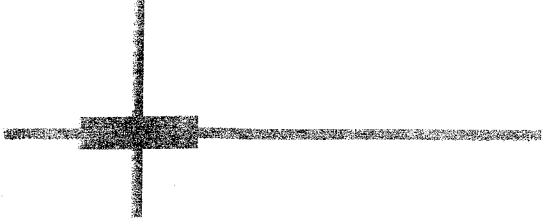


USER'S MANUAL

PFID125W



PFID125W Part List

| No. | NAMES | QTY. |
|-----|--|------|
| 1 | Folding Leg | 1 |
| 2 | Main Frame | 1 |
| 3 | Back Pad Adjuster | 1 |
| 4 | Back Pad Frame | 1 |
| 5 | Back Pad | 1 |
| 6 | Seat Pad | 1 |
| 7 | Hex Head Bolt 5/16"X 3/4" Full thread | 6 |
| 8 | Hex Head Bolt 3/8"X3" Partial thread | 1 |
| 9 | Hex Head Bolt 1/2"X5 1/2" Partial thread | 2 |
| 10 | 3/8" Nylon Lock Nut | 1 |
| 11 | 1/2" Nylon Lock Nut | 2 |
| 12 | 1/2" Washer | 4 |
| 13 | 3/8" Washer | 2 |
| 14 | 5/16" Spring Lock Washer | 6 |
| 15 | 3/4" Diameter X 1 1/2" T-shaped Pop Pin | 2 |
| 16 | 2 1/2" Diameter X Round Foot Cap | 2 |
| 17 | 2 1/2" Diameter X Round Foot Cap With Wheels | 2 |
| 18 | 1 1/2" Diameter X 7 1/2" Rubber Tubing | 2 |
| 19 | 7/8" Outside Diameter X 1/2" Inside Diameter Bushing | 4 |