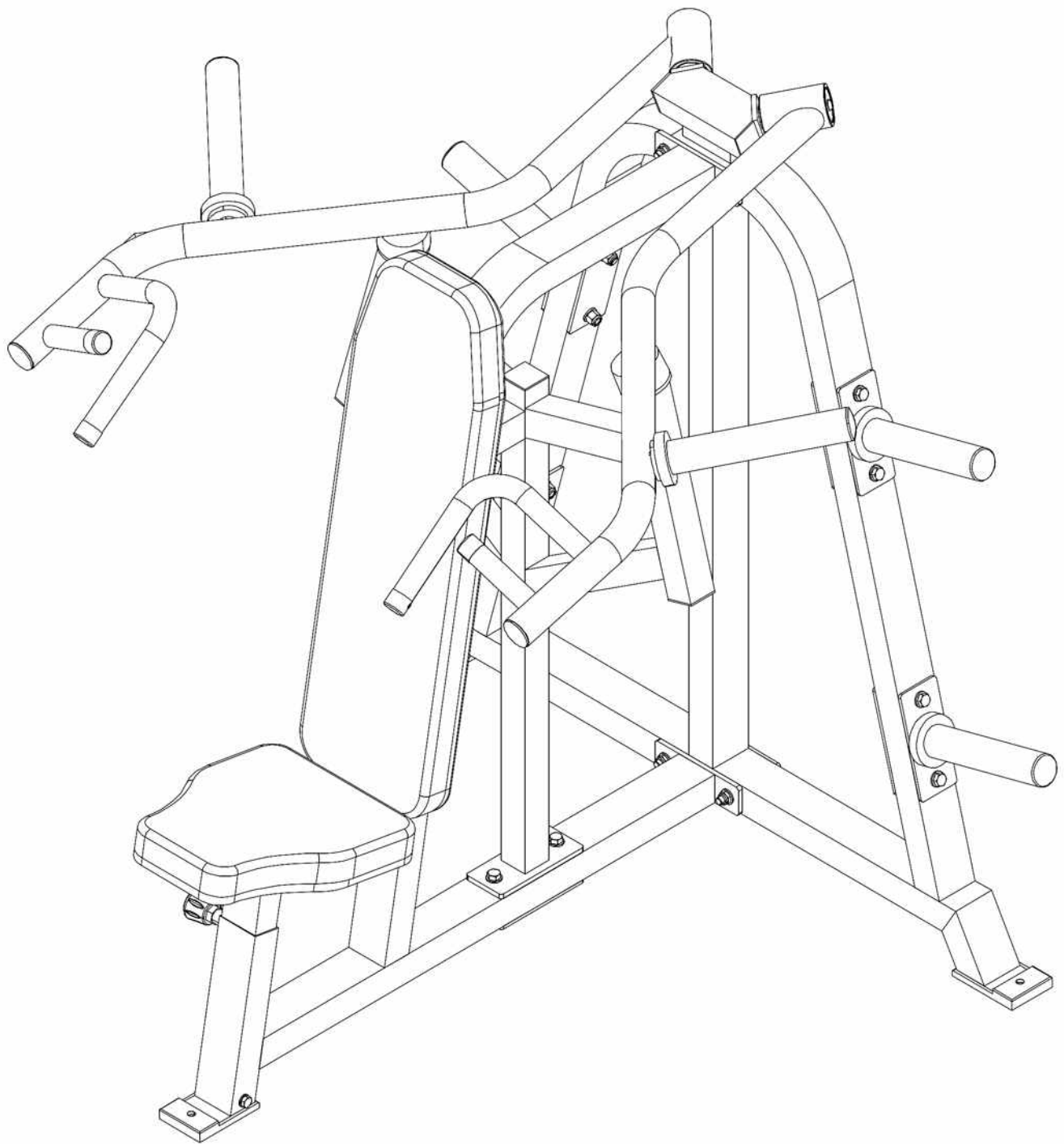


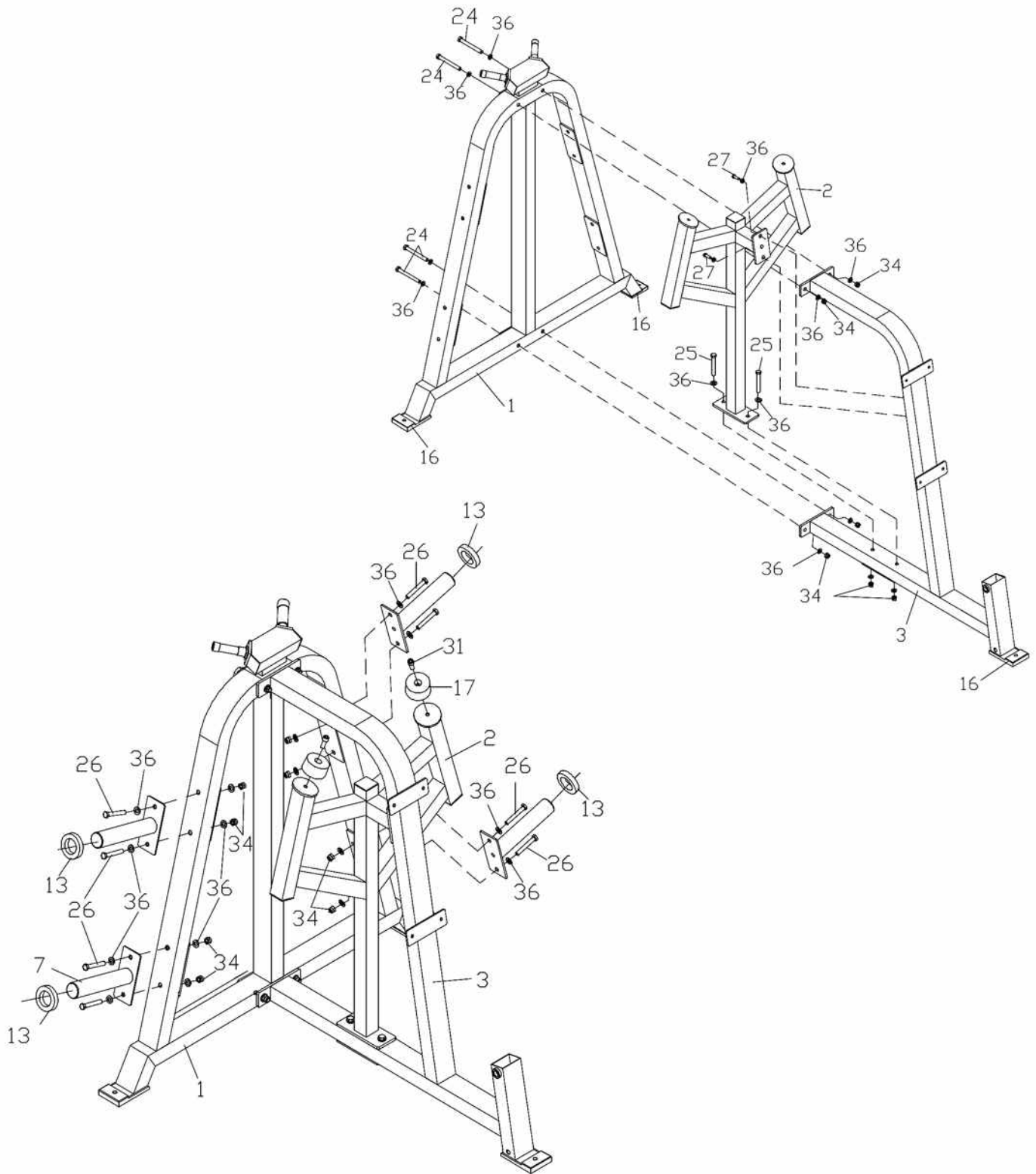
**LVSP**



*Body-Solid*

**LVSP**

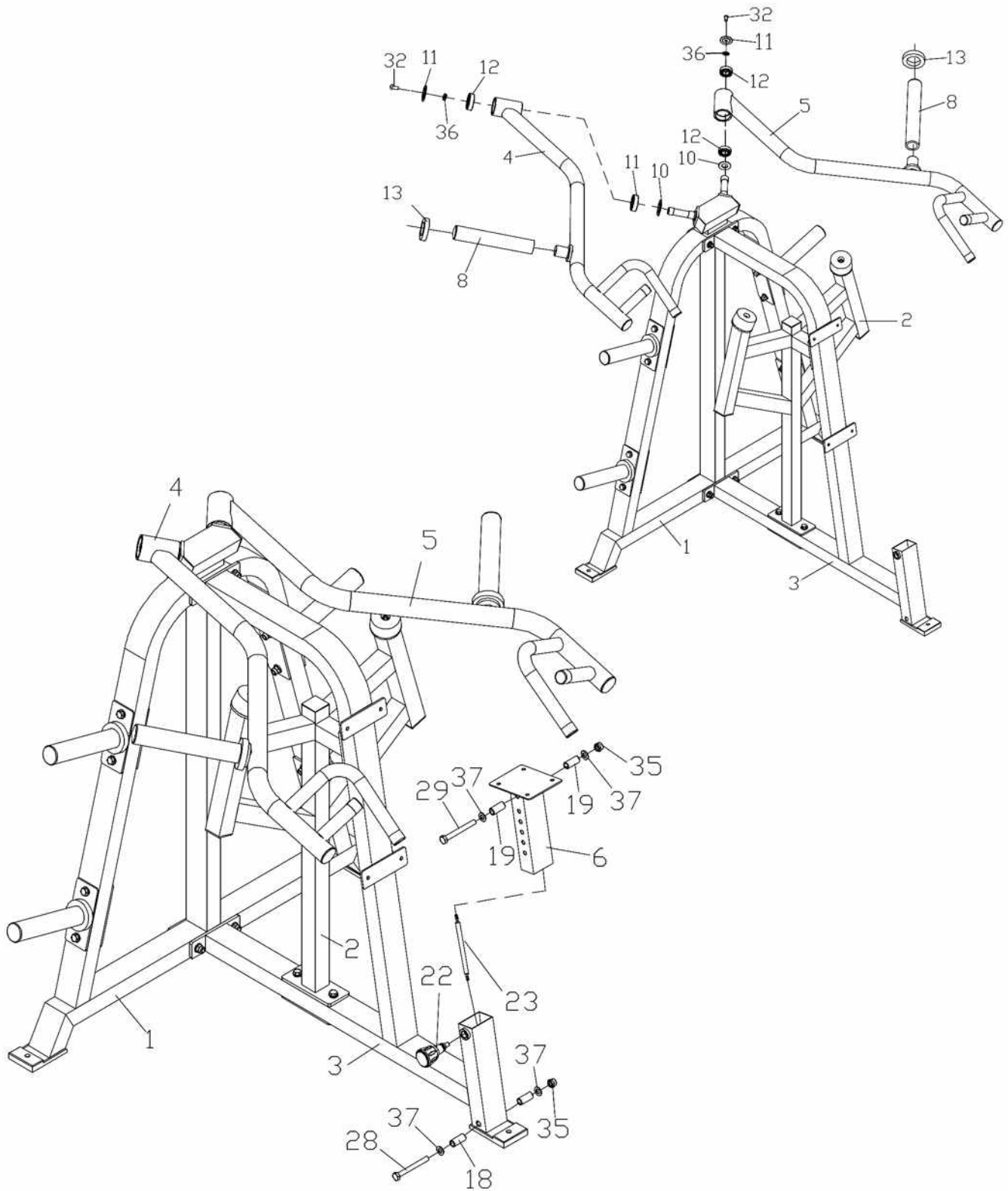
# ASSEMBLY INSTRUCTIONS



*Body-Solid*

**LVSP**

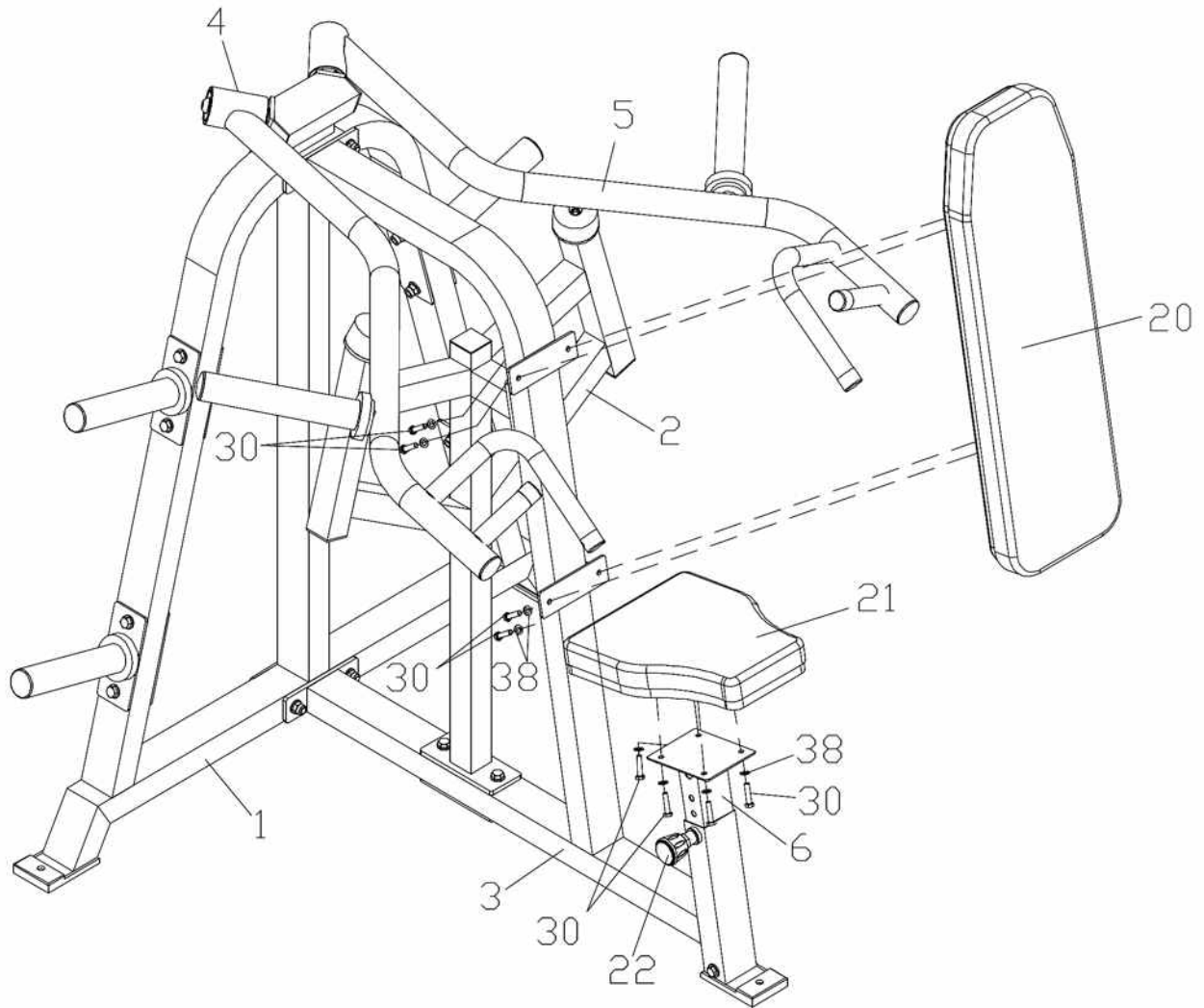
# ASSEMBLY INSTRUCTIONS



*Body - Solid*

**LVSP**

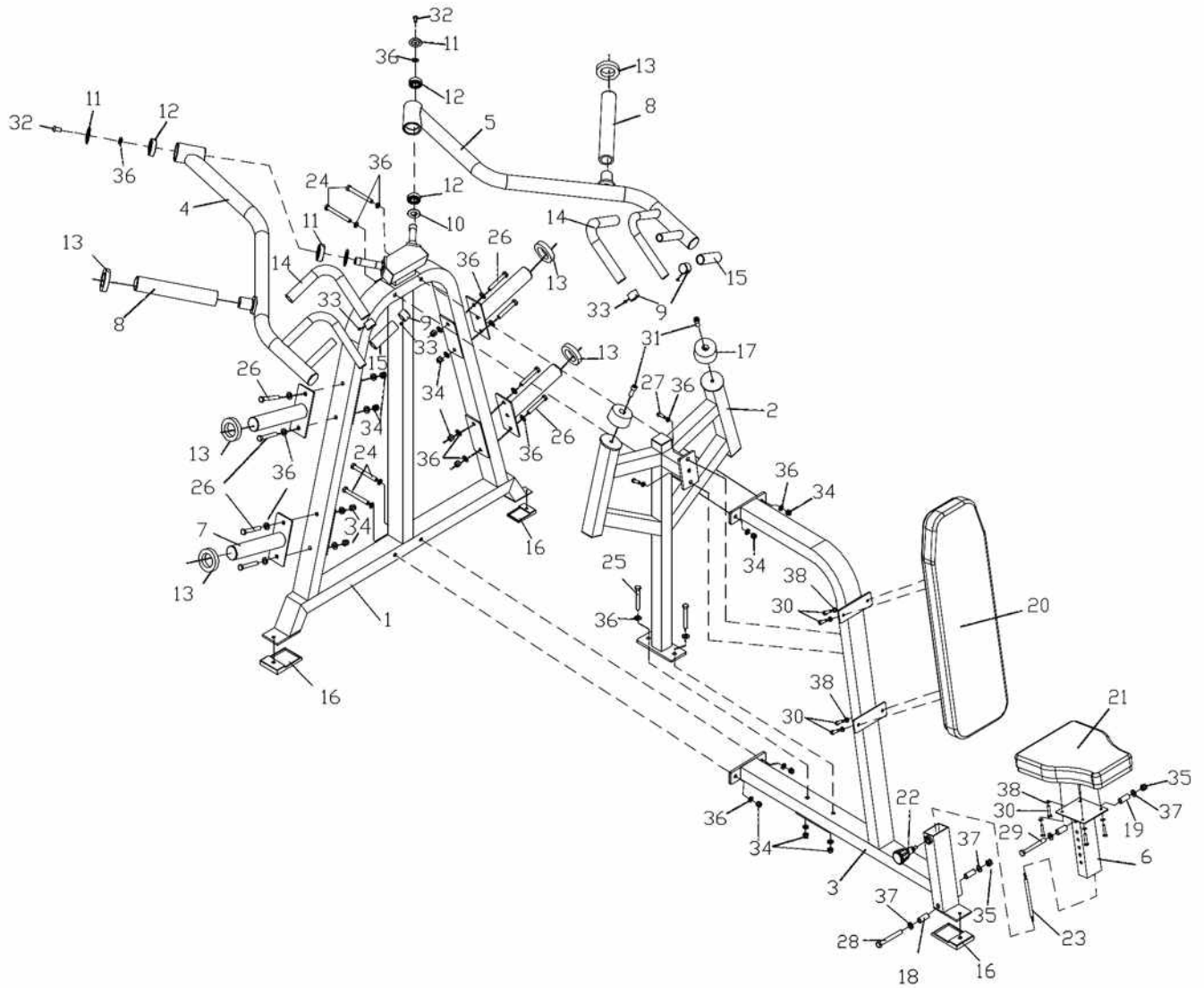
# ASSEMBLY INSTRUCTIONS



*Body-Solid*

**LVSP**

# EXPLODED VIEW



*Body-Solid*

### LVSP Hardware List

No .	Description	Qty	No .	Description	Qty
1	Main Frame	1	20	Back Pad	1
2	Tube	1	21	Seat Pad	1
3	Support Tube	1	22	Pop Pin	1
4	Left Pushing Arm	1	23	*21*515 Shock	1
5	Right Pushing Arm	1	24	M12*110Hex Bolt	4
6	Support Tube	1	25	M12*85 Hex Bolt	2
7	Loading Bar A	4	26	M12*80 Hex Bolt	8
8	Loading Bar B	2	27	M12*25 Hex Bolt	2
9	End Cap	4	28	M10*95 Hex Bolt	1
10	Washer for bearing *46**25.5*t3.0	2	29	M10*85 Hex Bolt	1
11	Washer for bearing *46**20.5*t3.0	2	30	M8*30Hex Bolt	8
12	Shaft	4	31	M12*30 Hex Bolt	2
13	*80**50*t16 Rubber Stoper	6	32	M10*20 Hex Bolt	2
14	Foam Grip	2	33	M4*8 Hex Bolt	4
15	Foam Grip	2	34	M12 Nylon Nut	14
16	End Cap	3	35	M10 Nylon Nut	2
17	*80**50*t16 Rubber Stoper	2	36	*12 Washer	32
18	L1=22 Tube	2	37	*10 Washer	4
19	L2=22 Tube	2	38	*8 Washer	8