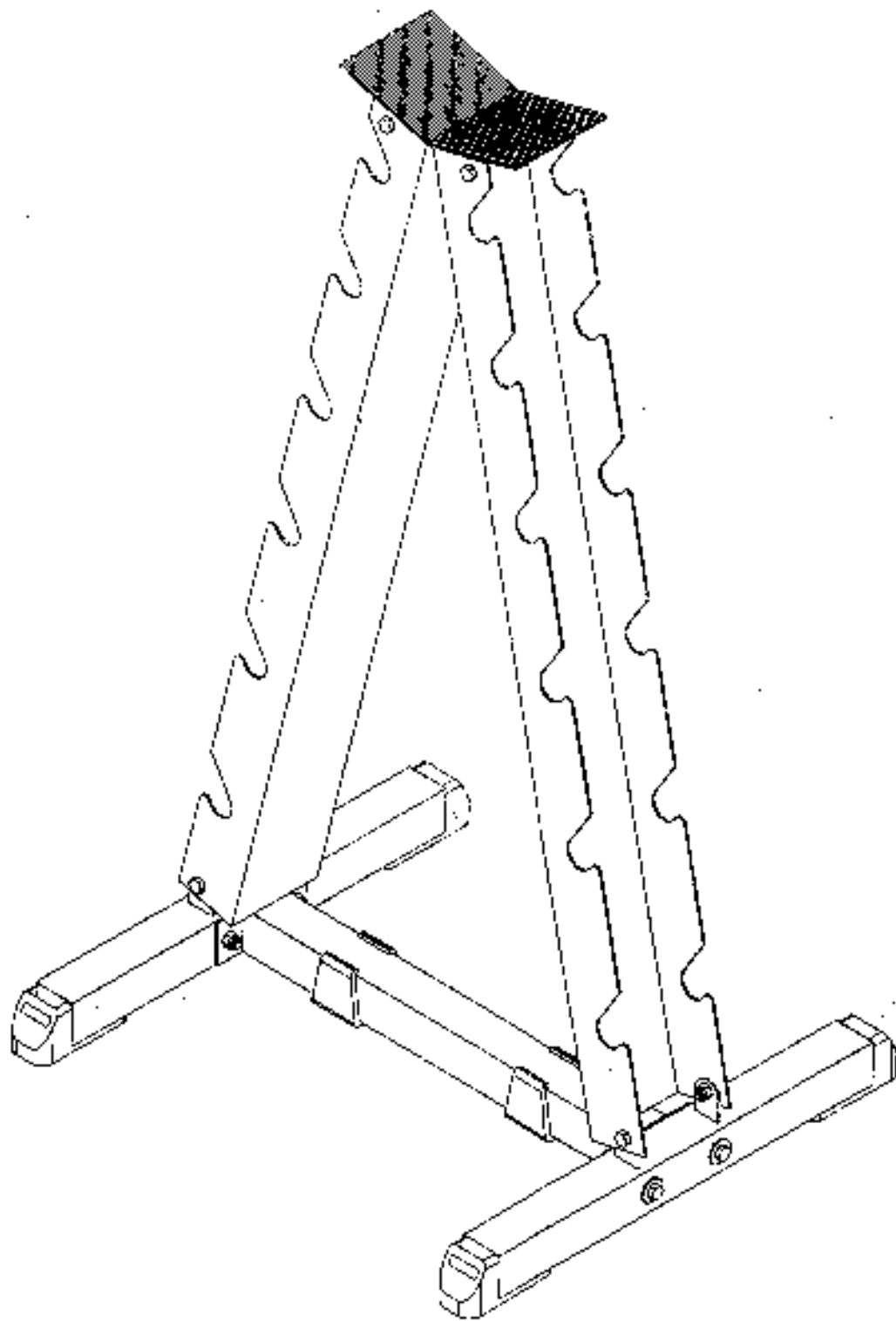


GDR-44



VERSION 0505

HANDWARE ILLUSTRATION SHEET PARTS ILLUSTRATION SHEET

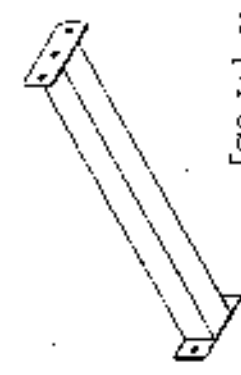
|                                   | Qty.    |
|-----------------------------------|---------|
| A1. ALUMINUM Hex Head Bolt        | [4PCS]  |
| A2. ALUMINUM Hex Head Bolt        | [8PCS]  |
| B1. M16 Nylon Lock Nut            | [13PCS] |
| C1. M09 (110) Washer              | [4PCS]  |
| D1. Lead Cap (9211-024)           | [4PCS]  |
| D2. 2"x2" RUBBER DOWEL (9212-010) | [2PCS]  |

A1. A2. B1. C1.

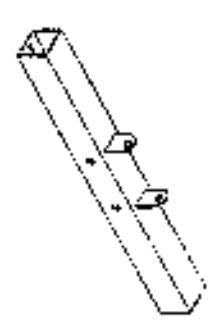
D1. D2.



A [1PCS]



B [2PCS]



C [1PCS]



D [2PCS]

