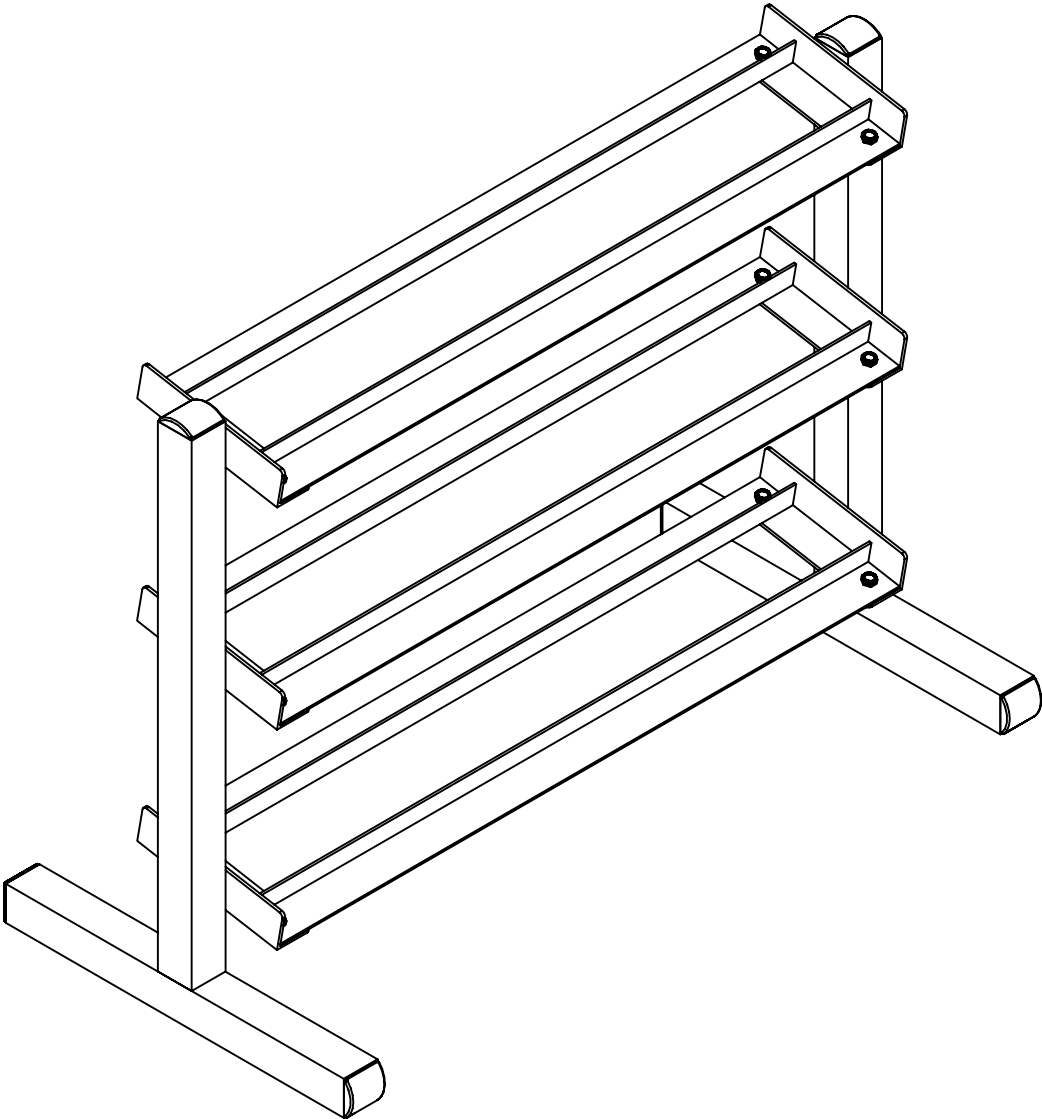


GDR-363



VERSION 0506

GDR-363

HARDWARE ILLUSTRATION SHEET

PARTS ILLUSTRATION SHEET

- A1. M8X16 HEX HEAD BOLT _____ [12PCS]
 B1. M8 Lock Nut _____ [12PCS]
 D1. 2"X2" END CAP(9211-087) _____ [6PCS]

A [1PCS]

B [1PCS]

- A1. B1. D1.



C [6PCS]

