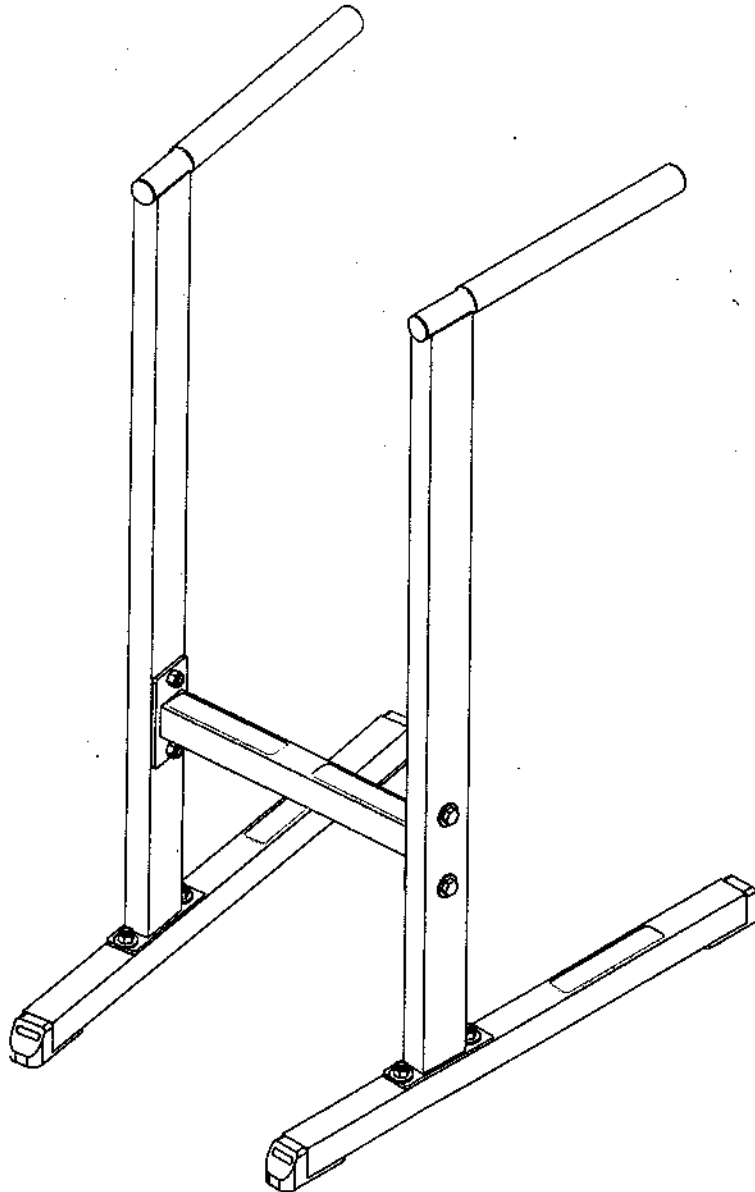


# GDIP-59

THERE IS A RISK ASSUMED BY INDIVIDUALS WHO USE THIS TYPE OF EQUIPMENT. TO MINIMIZE RISK, YOU MUST FOLLOW THESE RULES:

1. Inspect equipment daily. Check that all nuts, bolts and screws are fully tightened and replace worn parts immediately.
2. Before use, always check cables for signs of wear. Replace immediately. Never use machine if cable is damaged. Failure to do so may result in serious injury.
3. Keep clear of the cables and all moving parts when the machine is in use.
4. Always make sure all Snap Links are closed when doing any cable/pulley exercises.
5. Exercise with care. Perform your exercises at a smooth moderate pace; never perform jerky or uncoordinated movements that may cause injury.
6. It is recommended that you should workout with a training partner.
7. Do not allow children or minors to play on or around this equipment.
8. **WARNING:** Consult your physician before starting your exercise program. For your own safety, do not begin any exercise without proper instruction.



VERSION 0506

# GDIP-59

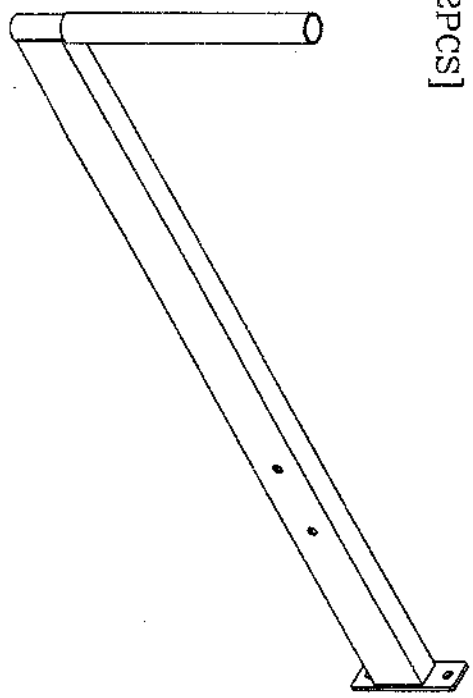
## HARDWARE ILLUSTRATION SHEET

## PARTS ILLUSTRATION SHEET

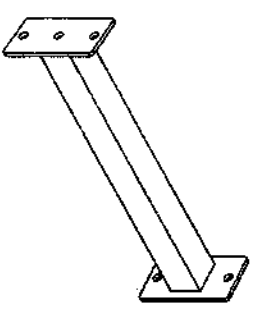
A1.	M12X65 HEX HEAD BOLT	[4PCS]	Qty.
A2.	M12X70 CARRIAGE BLOT	[4PCS]	
B1.	M12 NYLON LOCK NUT	[8PCS]	
C1.	M12 (1D) WASHER	[8PCS]	
D1.	Foot Cap (9211-024)	[4PCS]	
D2.	ø38 ROUND END CAP (9211-018)	[2PCS]	
D3.	38X195 NO SLIP TAPE (9310-030)	[4PCS]	
D5.	ø38 ROUND END CAP (9211-099)	[2PCS]	



A [2PCS]



B [1PCS]



C [2PCS]

