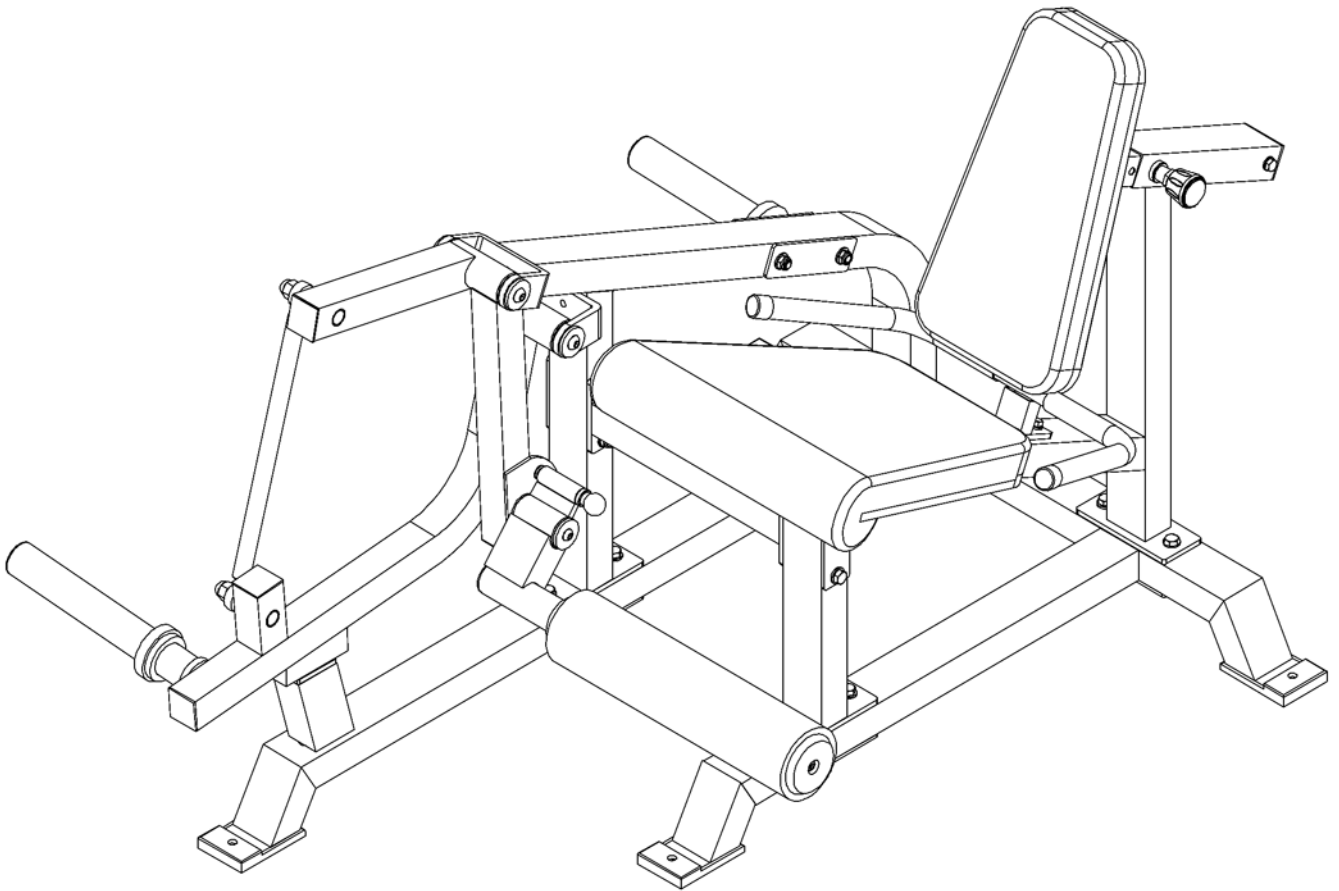


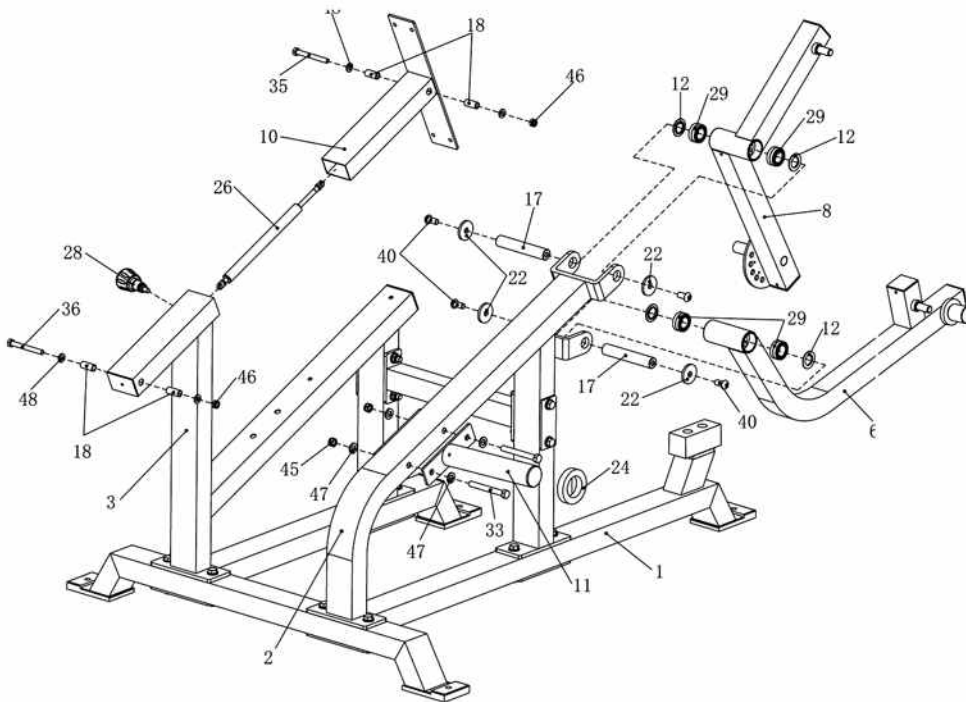
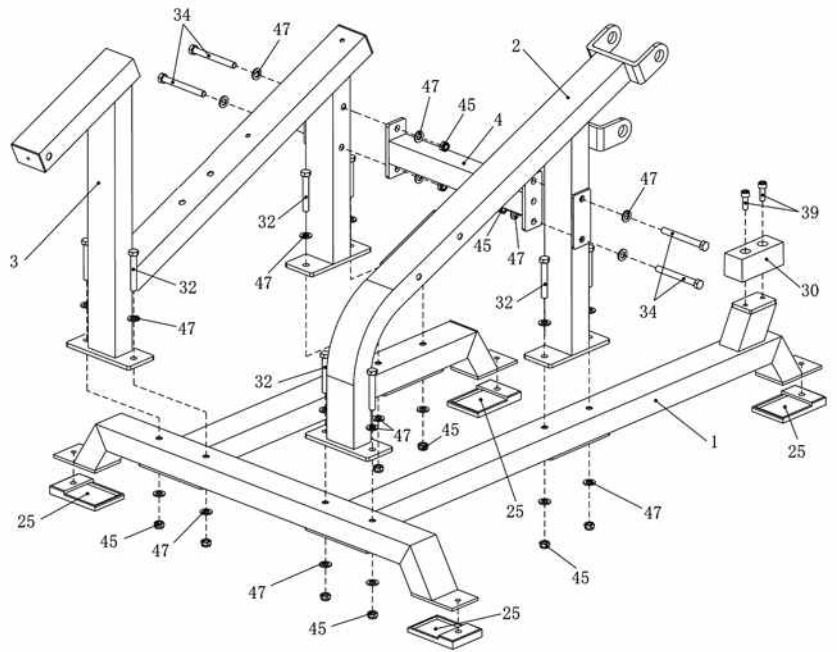
LVLE



Body-Solid

LVLE

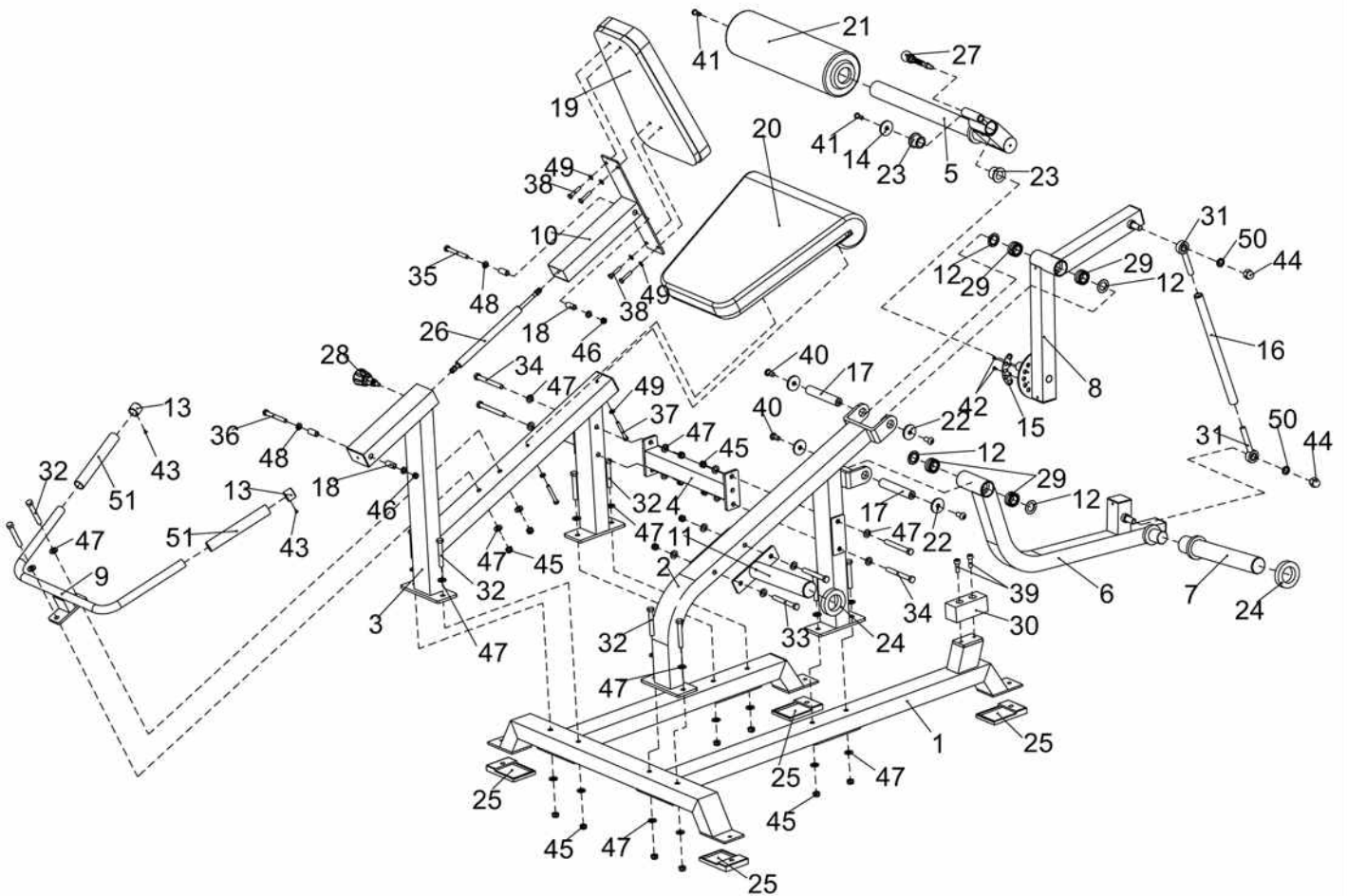
ASSEMBLY INSTRUCTIONS



Body - Solid

LVLE

EXPLODED VIEW



Body-Solid

LVLE Hardware List

No.	Description	Qty	No.	Description	Qty
1	Bottom Tube	1	27	*11*115 Pop Pin	1
2	Left Support Tube	1	28	*10*90 Pon Pin	1
3	Right Support Tube	1	29	Bearing NA 4905	4
4	Connecting Tube	1	30	48*50*120 Rubber Stoper	1
5	Foam Roller Tube	1	31	M16 Screw	2
6	Loading Bar Set	1	32	M12*85 Hex Bolt	10
7	Loading Bar A	1	33	M12*105 Hex Bolt	2
8	Tube	1	34	M12*110 Hex Bolt	4
9	Handle Bar	1	35	M10*90 Hex Bolt	1
10	Back Pad Frame	1	36	M10*95 Hex Bolt	1
11	Loading Bar B	1	37	M8*65 Hex Bolt	2
12	Washer for bearing	4	38	M8*30 Hex Bolt	4
13	End Cap	2	39	M10*30 Screw	2
14	Teflon Sticker	1	40	M12*25 Screw	4
15	Arc Plate	1	41	M10*25 Screw	2
16	Connecting Tube	1	42	M5*10 Screw	2
17	Shaft	2	43	M4*8 Screw	2
18	Spacer	4	44	M16 Nylon Nut	2
19	Back Pad	1	45	M12 Nylon Nut	16
20	Seat Pad	1	46	M10 Nylon Nut	2
21	Foam Roller	1	47	*12 Washer	32
22	Teflon Sticker	4	48	*10 Washer	4
23	Bushing	2	49	*8 Washer	6
24	*80**50*16 Rubber Stoper	2	50	*16 Washer	2
25	125*85 End Cap	4	51	Foam Grip	2
26	*21*515 Shock	1			