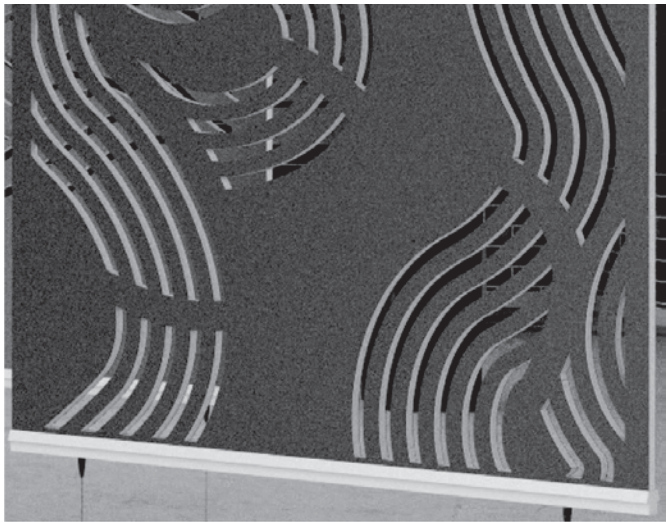




INNOVASIA
ACOUSTICS

VERTO™ Installation Guide

Making Sound Versatile



Verto, designed by CSR Martini, is a versatile installation system that can be paired with both Capella and Allora products. It can be fixed on the ceiling or wall to provide multiple execution and suspension effects.

General Installation Guidelines

Verto mounting system must be installed by experienced tradesmen having full knowledge of the product and installation procedures. Innovasia presents this guide in good faith to assist relevant installation and accepts no liability for installation actions. The installation guidelines catalogued in this document are recommended by Innovasia Acoustics but the individual tradesman's ability to assess each situation and achieve the desired finished installation is essential.

Handling, Storage and Inspection

Products must be stored in a sealed and moisture proof warehouse. Wear clean gloves when handling to prevent marking. After unpacking and before installation, confirm the correct material and color has been supplied and inspect the product thoroughly for any damage or defects. Do not install unacceptable or questionable quality products. Innovasia will not be responsible for removal or replacement costs of unacceptable products.

- Boxes and sheets should be carried vertically upright by two or more people
- Avoid bending sheets as this can cause creasing
- Store boxes on a flat, solid surface. If stored on pallets, do not store more than 40 sheets together on one pallet.
- Keep away from sources of heat including radiators, steam pipes and direct sunlight.

Surface Preparation

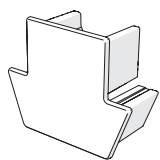
Products can be installed on substrates including plasterboard, concrete and fiber cement. Substrates with textured or rough surfaces are not recommended. Before installation, ensure all joints and gaps in the substrate are sealed. Sealing tape should be used on the substrate as per the manufacturer's instructions to tape joints on walls in order to prevent dust or foreign matter from migrating from the wall cavity. Ensure the surface is clean and free of dust or imperfections. Wipe clean with a damp cloth and allow to dry prior to proceeding.

Installation

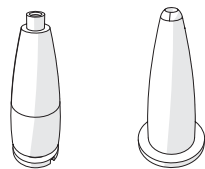
Measure the wall or ceiling area before installation and refer to the installation plan for placement. Verify the length of each wall section as walls are not always perfectly straight. Place a level to check the wall. If not level, you may need to make good the wall. All dimensions and conditions should be verified on site before commencing installation.

Follow the installation instructions, step-by-step, outlined under each method for Allora and Capella Collections.

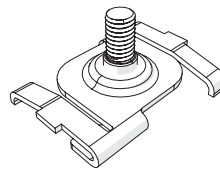
Components



End Caps



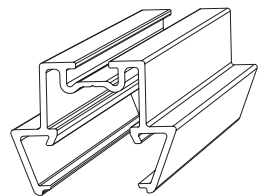
Eclipse Ceiling Ends



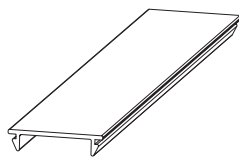
T- Grid Clips



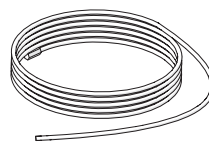
Concrete Dowel



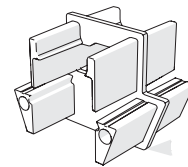
Aluminium Extrusion



Snap Cover



Suspension Wire



Connector



Installation Of Allora Screens With Verto

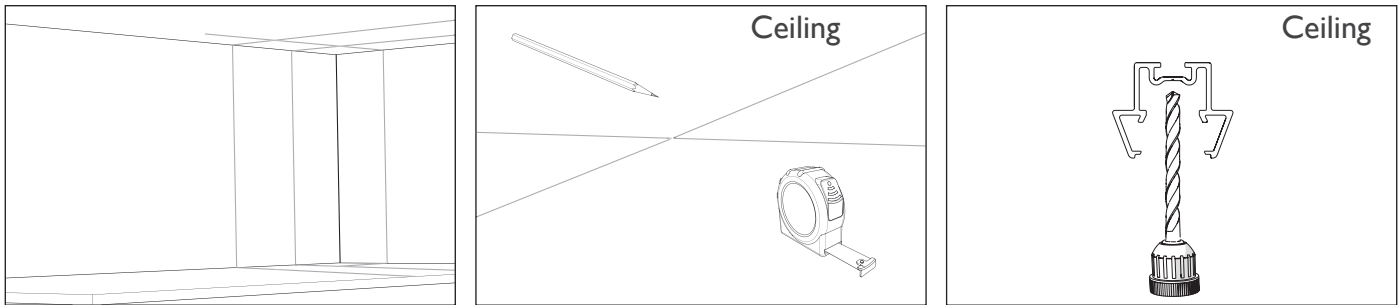
Allora Screens can be installed using Verto installation system by three methods. The installation instructions for each method have been outlined below.

I. Direct Fix Method

Installation Instructions:

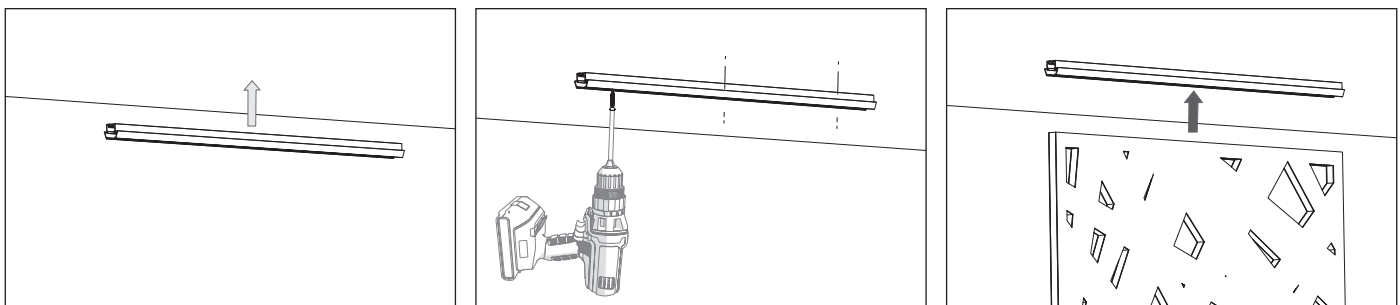
Step 1, 2 and 3

Prepare area and use laser level to mark out desired location of screen. Using the center line marked on the underside of the extrusion, drill a clearance hole through the aluminium in a minimum of three spaces.



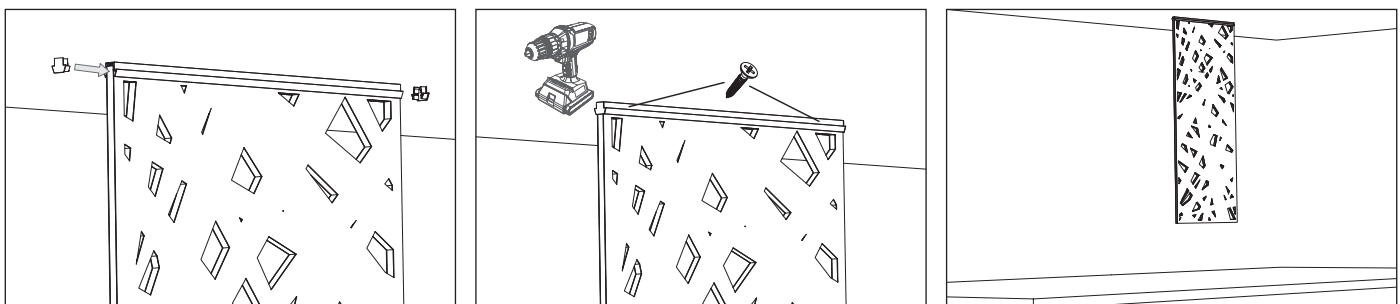
Step 4 and 5

Drill the aluminium extrusion into the premarked location on the ceiling ensuring you are fixing into a structural member. Friction fit the panel into the aluminium extrusion ensuring it bottoms out.



Step 6 and 7

Insert end caps on either side of the aluminium extrusion. For additional fixing you can use the supplied screws to fix the panel through the aluminium.

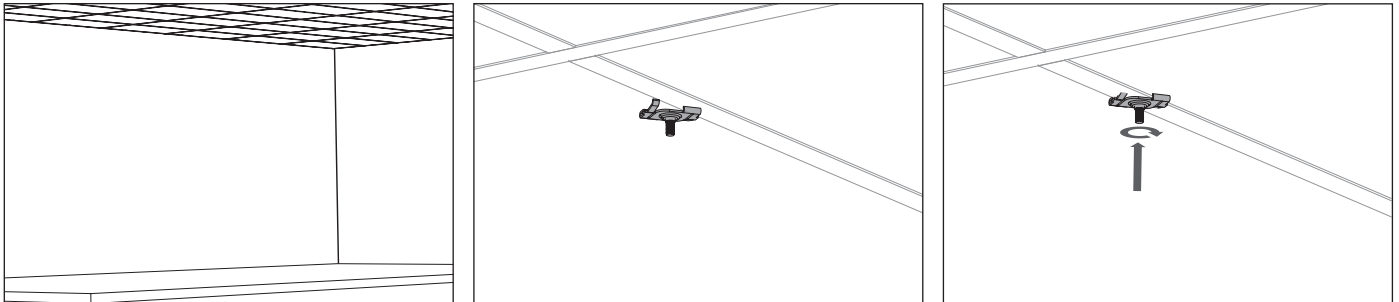


2. Suspended Grid and Tension Method

Installation Instructions:

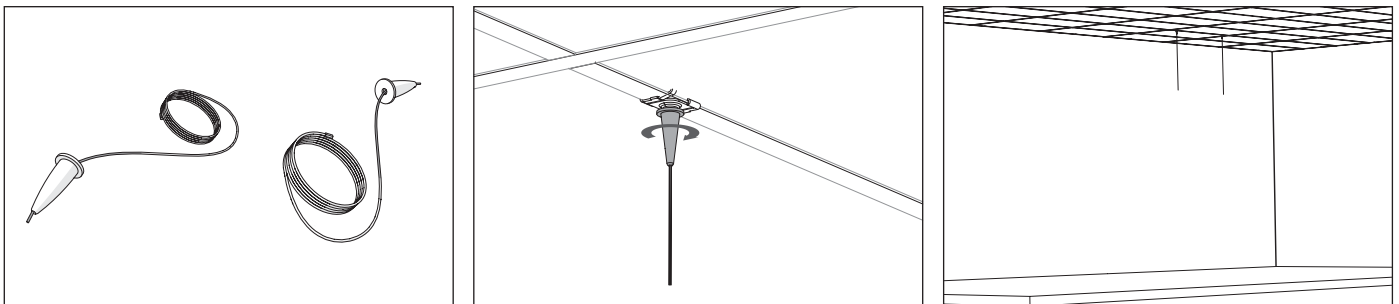
Step 1, 2 and 3

Prepare area and use laser level to mark out desired location of screen. Measure out area and attach T-Grid Clips to grid ceiling system where required.



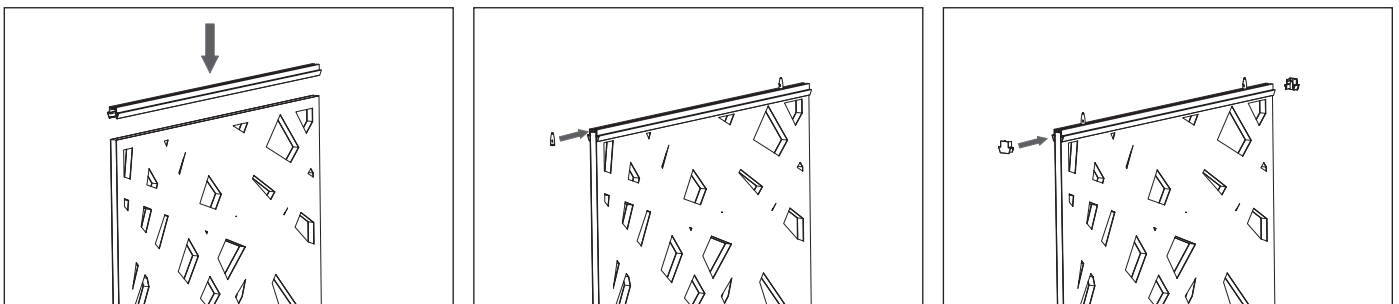
Step 4, 5 and 6

Insert Suspension Wire through the bottom of the Eclipse Ceiling End and pull Suspension Wire all the way through till the end knuckle is secured inside the Eclipse Ceiling End. Screw Eclipse Ceiling End into T-Grid Clip. Ensure Eclipse is screwed all the way to the top of the T-Grid.



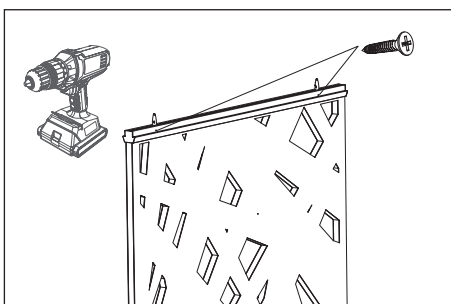
Step 7, 8 and 9

Friction fit aluminium extrusion to top (and bottom if required) of the decorative screen, ensuring it bottoms out on the aluminium. Slide in both Eclipse Rail Ends into aluminium extrusion. Insert end caps on either side of the aluminium extrusion.



Step 10

For additional fixing you can use the supplied screws to fix the panel through the aluminium.

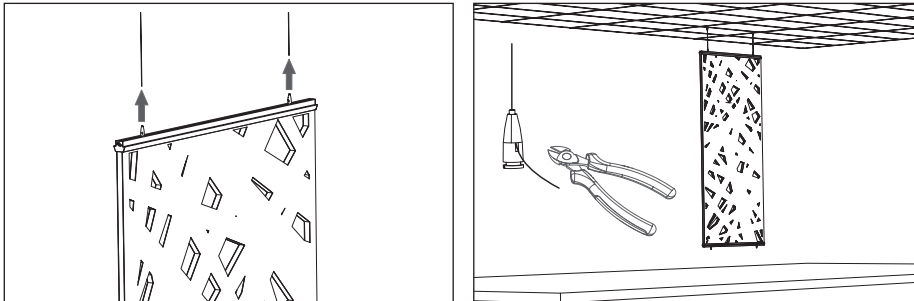


Step 11, 12 and 13

Insert Suspension Cord through the Eclipse Rail End already attached to the aluminium extrusion. Ensure the cord is threaded through the lower hole. Repeat step for all suspension cords.

Whilst supporting the suspension cord firmly with one hand, lift the aluminium extrusion to the required height ensuring it is level. Repeat step for other suspension cords. Once level and in position, cut off the excess suspension cord with side cutters.

Note: Once you cut this excess suspension cord you can no longer lower the height of this system. Make sure you are absolutely happy with the height before cutting the cord.

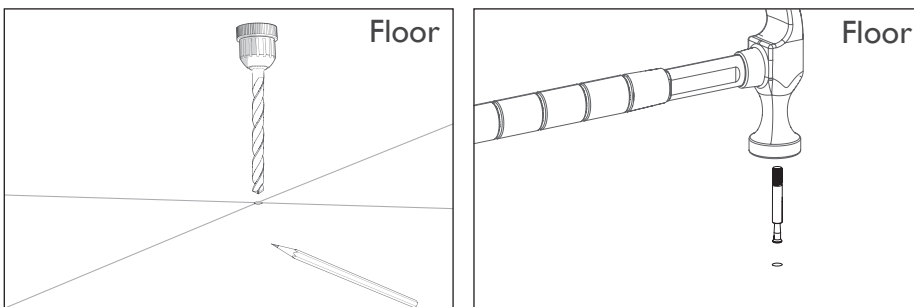


If Tension Fitting To The Floor

Repeat steps 7-10 on the bottom. Then follow up with steps 14-19 below.

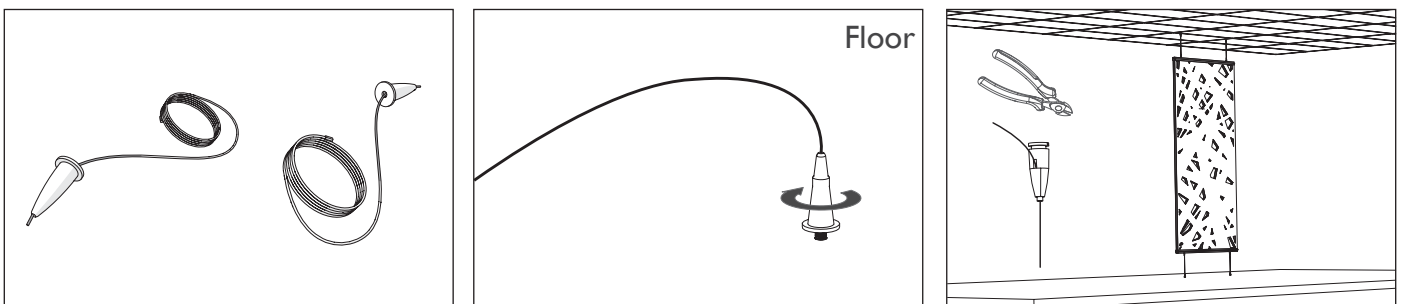
Step 14, 15 and 16

Measure out area and mark spacing for required hole. Drill a 30 mm hole. Hammer Concrete Dowel into hole.



Step 17, 18 and 19

Insert Suspension Wire through the bottom of the Eclipse Ceiling End and pull Suspension Wire all the way through till the end knuckle is secured inside the Eclipse Ceiling End. Screw Eclipse End into Concrete Dowel. Ensure Eclipse is screwed all the way to the bottom of the dowel. Tension and cut bottom cords.

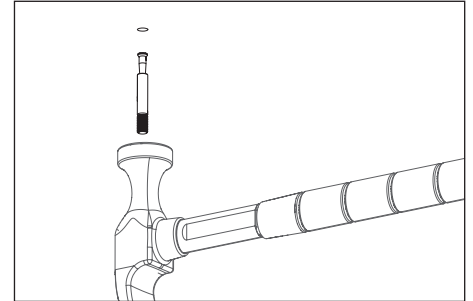
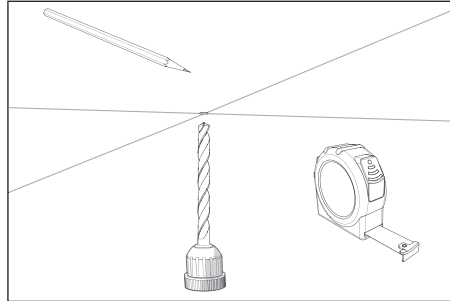
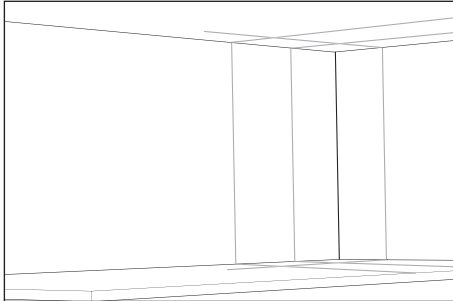


3. Suspended Soffit and Tension Method

Installation Instructions:

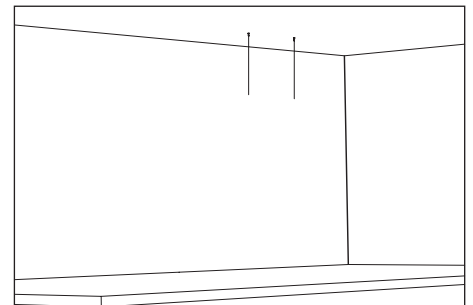
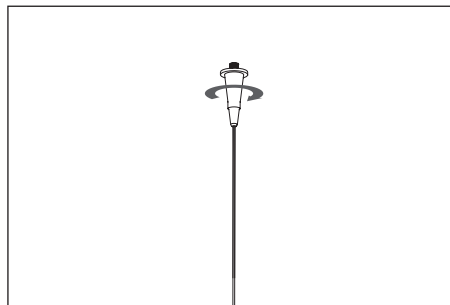
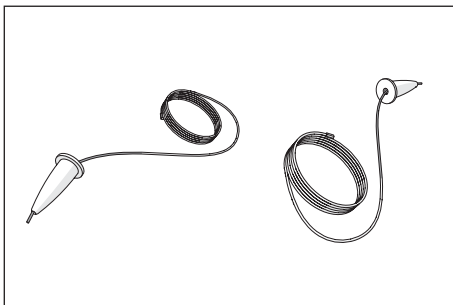
Step 1, 2 and 3

Prepare area and use laser level to mark out desired location of screen. Measure out area and mark spacing for required hole. Drill a 30mm hole. Hammer Concrete Dowel into hole.



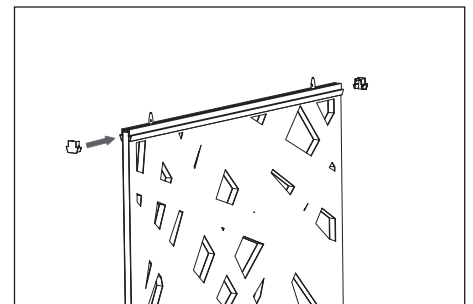
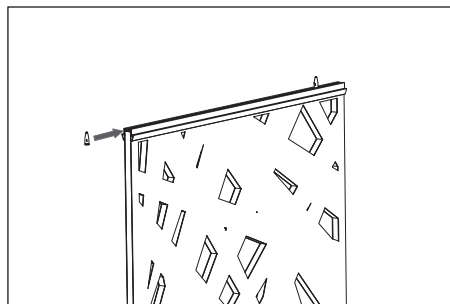
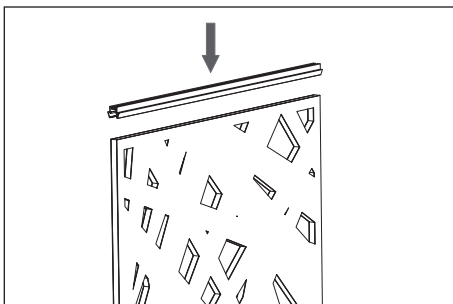
Step 4 and 5

Insert Suspension Wire through the bottom of the Eclipse Ceiling End and pull Suspension Wire all the way through till the end knuckle is secured inside the Eclipse Ceiling End. Screw Eclipse Ceiling End into Concrete Dowel. Ensure Eclipse is screwed all the way to the top of the dowel.



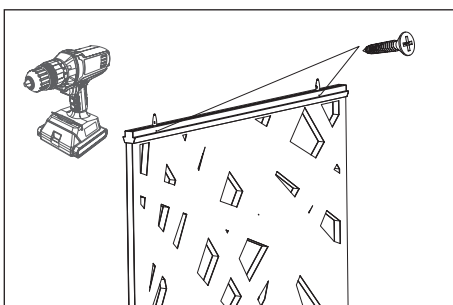
Step 6, 7 and 8

Friction fit aluminium extrusion to top (and bottom if required) of the decorative screen, ensuring it bottoms out on the aluminium. Slide in both Eclipse Rail Ends into aluminium extrusion. Insert end caps on either side of aluminium extrusion.



Step 9

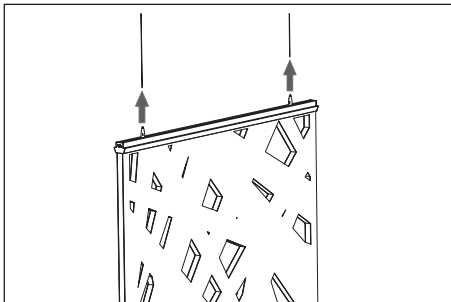
For additional fixing you can use the supplied screws to fix the panel through the aluminium.



Step 10, 11 and 12

Insert Suspension Cord through the Eclipse Rail End already attached to the aluminium extrusion. Ensure the cord is threaded through the lower hole. Repeat step for all suspension cords.

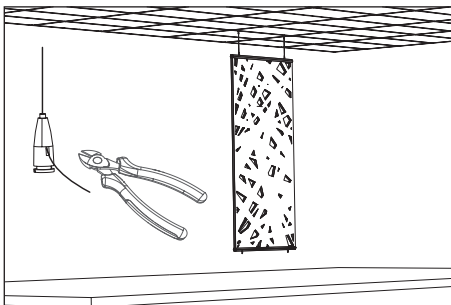
Whilst supporting the suspension cord firmly with one hand, lift the aluminium extrusion to the required height ensuring it is level. Repeat step for other suspension cords.



Step 13

Once level and in position, cut off excess suspension cord with side cutters.

NOTE: Once you cut this excess suspension cord you can no longer lower the height of this system. Make sure you are absolutely happy with the height before cutting the cord.

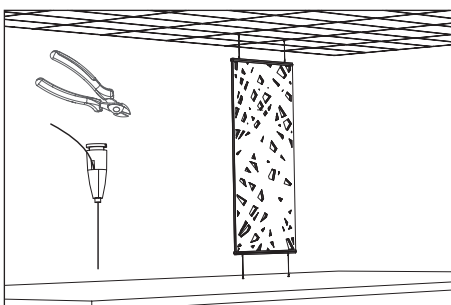


IF TENSION FITTING TO THE FLOOR:

Repeat steps 2 - 12 on the floor. Then follow step 14 below.

Step 14

Tension and cut bottom cords.



Installation Of Capella Blades With Verto

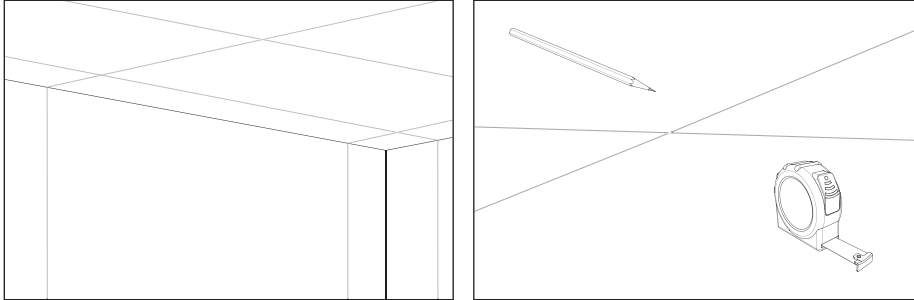
Capella Blades can be installed using Verto installation system by three methods. The installation instructions for each method have been outlined below.

I. Direct Fix Method

Installation Instructions:

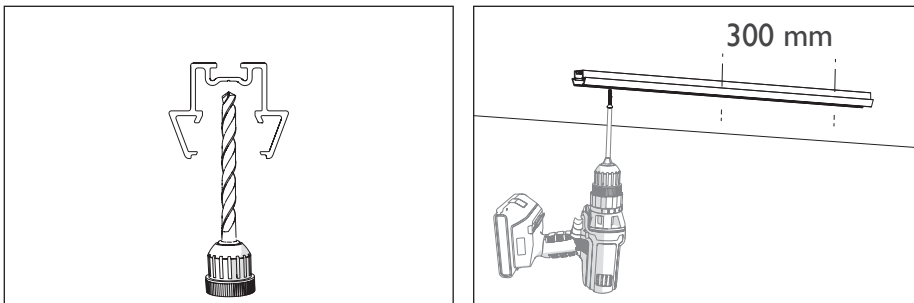
Step 1 and 2

Layout all components for use. Prepare area and use laser level to mark out desired location.



Step 3 and 4

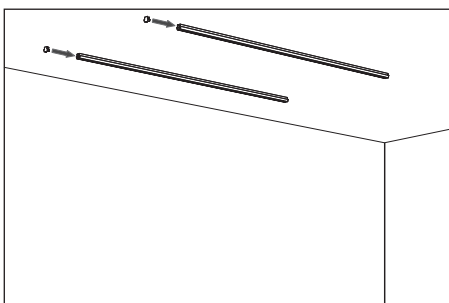
Using the center line marked on the underside of the extrusion, drill a clearance hole through the aluminium with 300mm spacings. Drill the aluminium extrusion into the pre-marked location on the ceiling ensuring you are fixing into a structural member.



Step 5 and 6

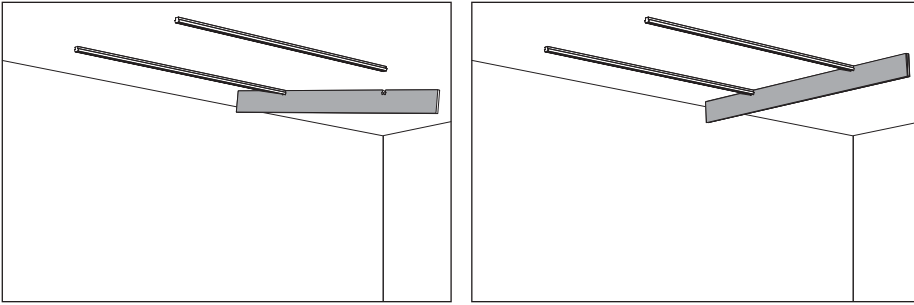
Repeat steps 3 and 4 with the other extrusion. Insert end caps on either side of the aluminium.

Note: Spacing of aluminium extrusion should be parallel apart at either 600mm or 1200mm depending on the Capella blade size purchased.



Step 7

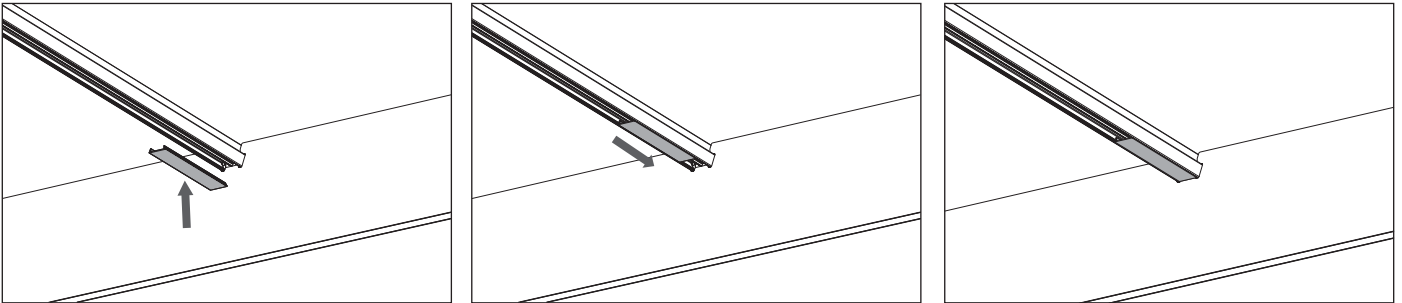
Snap your first acoustic blade flushed to the edge of the aluminium extrusion.



Step 8

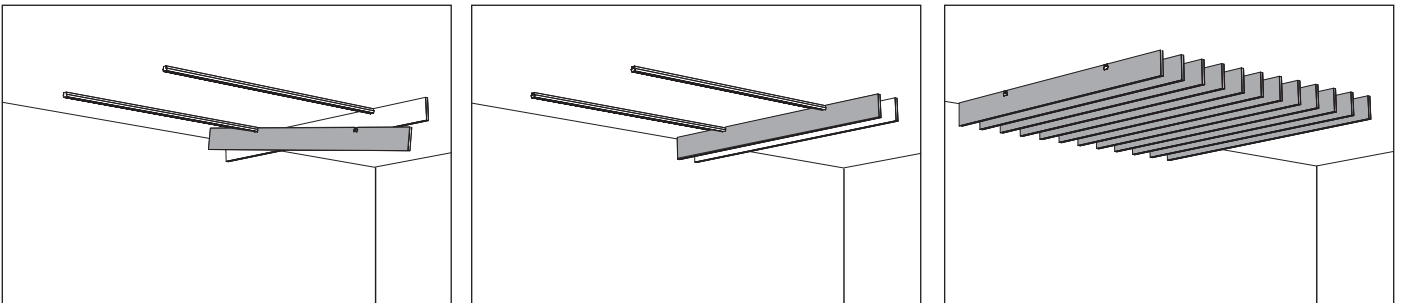
Insert the Snap Covers near the first blade you have already installed and slide across.

Note: Trim the Snap Cover to the required size to use as snap cover/spacer for Capella blades using a drop saw. Ensure you consider the thickness of the acoustic panels when determining a spacing size to cover the entire 2.5m.



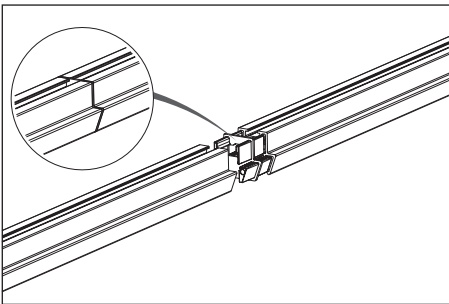
Step 9

Continue until you have positioned all blades and snap covers across the entire system.



Step 10

For modular setup use supplied connector.



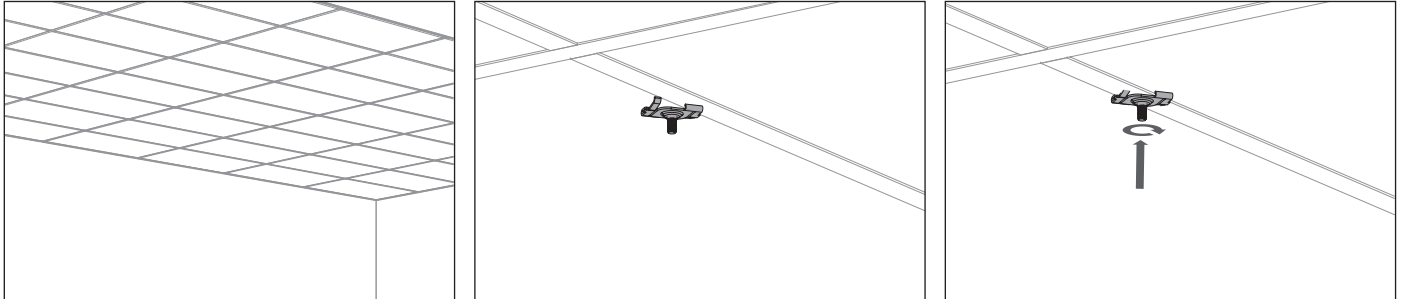
2. Suspended Grid Ceiling Method

Installation Instructions:

Step 1, 2 and 3

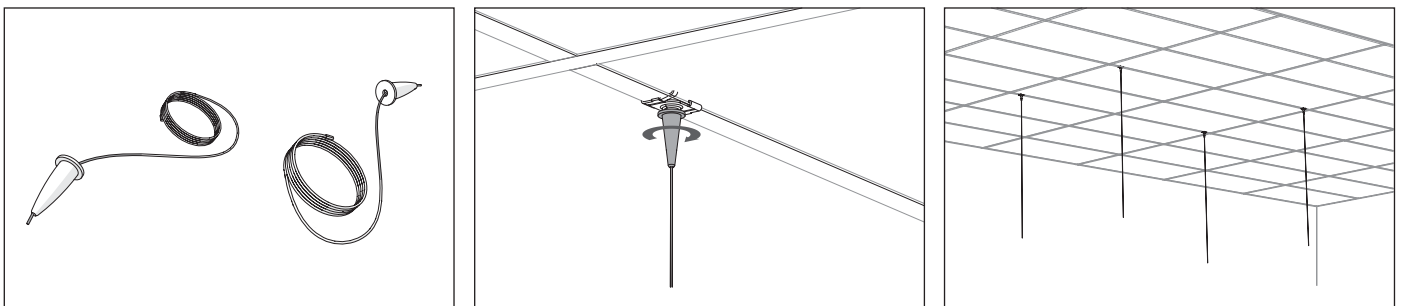
Prepare area and layout all components for use. Measure out area and attach T-Grid clips to grid ceiling system where required.

Note: Spacing of aluminium extrusion should be parallel apart at either 600mm or 1200mm depending on the Capella blade size purchased.



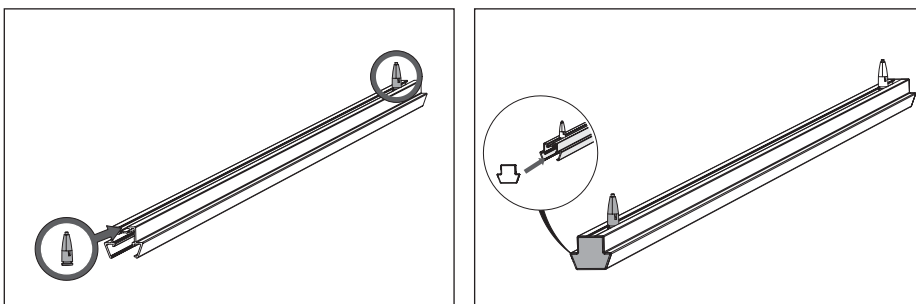
Step 4 and 5

Insert Suspension Wire through the bottom of the Eclipse Ceiling End and pull Suspension Wire all the way through till the end knuckle is secured inside the Eclipse Ceiling End. Screw Eclipse Ceiling End into T-Grid Clip. Ensure Eclipse is screwed all the way to the top of the T-Grid.



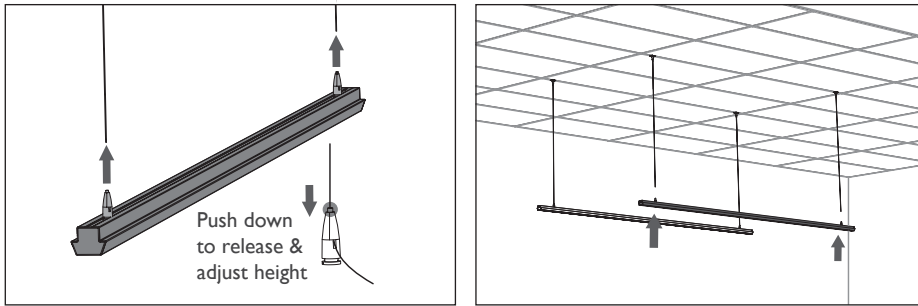
Step 6 and 7

Slide in both Eclipse Rail Ends into the aluminium extrusion. Insert end caps on either side of the aluminium extrusion.



Step 8 and 9

Insert Suspension Cord through the Eclipse Rail End already attached to the aluminium extrusion. Ensure the cord is threaded through the lower hole. Repeat step for all suspension cords.



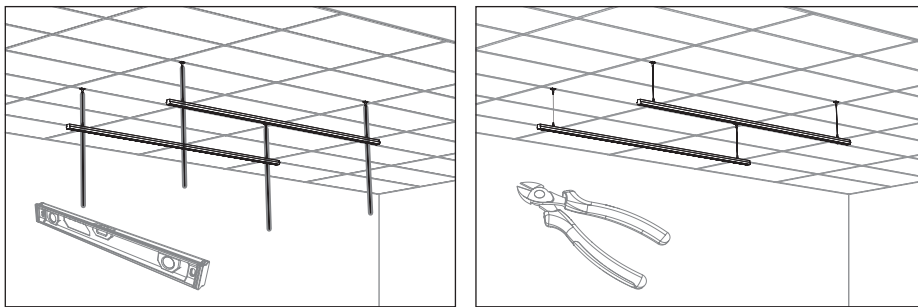
Step 10, 11 and 12

Whilst supporting the suspension cord firmly with one hand, lift the aluminium extrusion to the required height ensuring it is level. Repeat step for all suspension cords.

TIP: Do this gradually over all 4 anchor points to simplify the raising process.

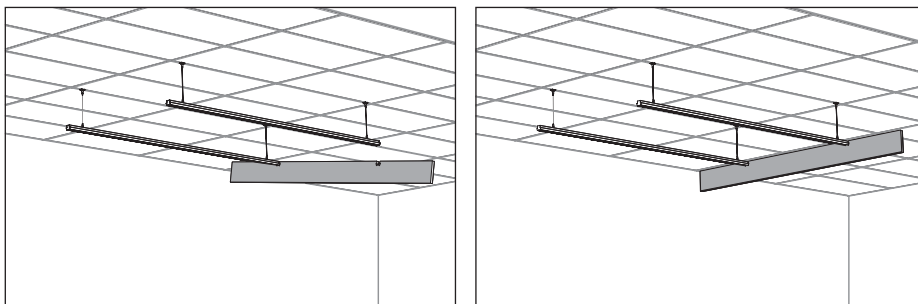
Once level and in position, cut off excess suspension cord with side cutters.

Note: Once you cut this excess suspension cord you can no longer lower the height of this system. Make sure you are absolutely happy with the height before cutting the cord.



Step 13

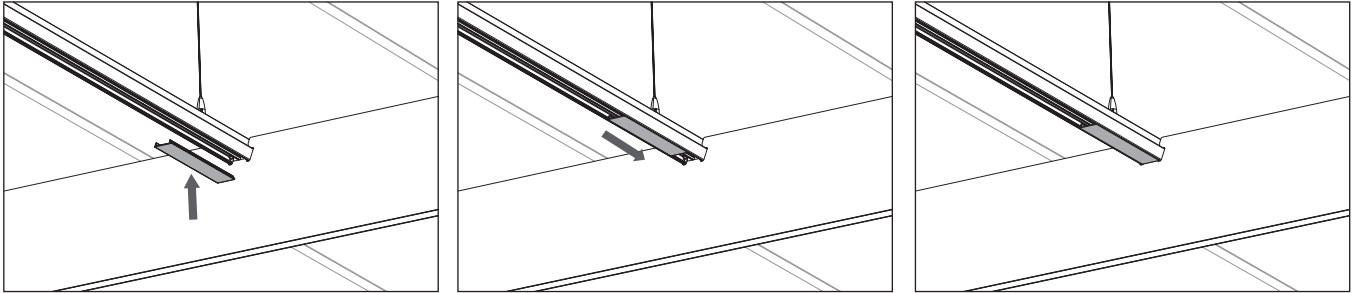
Snap your first acoustic blade flushed to the edge of the aluminium extrusion.



Step 14

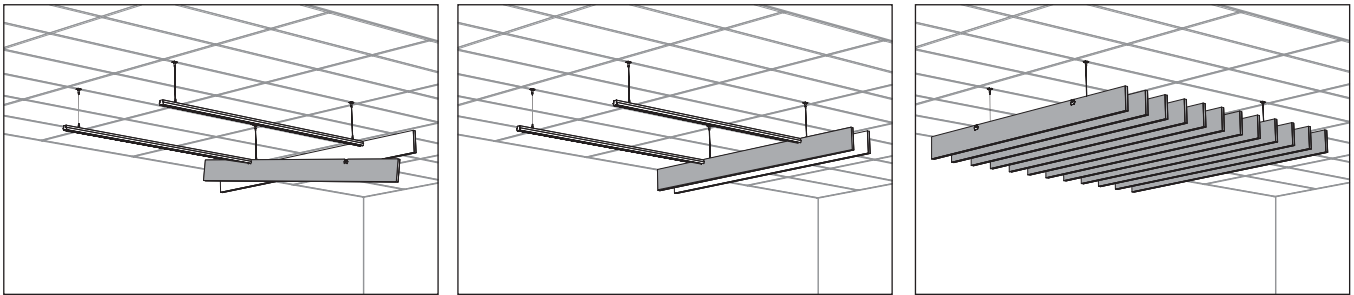
Insert the Snap Covers near the first blade you have already installed and slide across.

Note: Trim the Snap Cover to the required size to use as snap cover/spacer for Capella blades using a drop saw. Ensure you consider the thickness of the acoustic panels when determining a spacing size to cover the entire 2.5m.



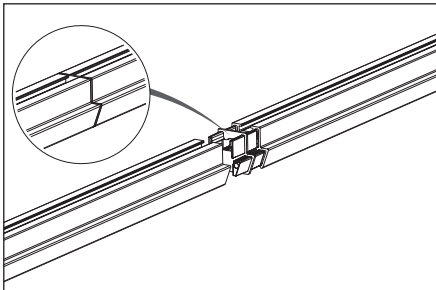
Step 15

Continue until you have positioned all blades and snap covers across the entire system.



Step 16

For modular setup use supplied connector.



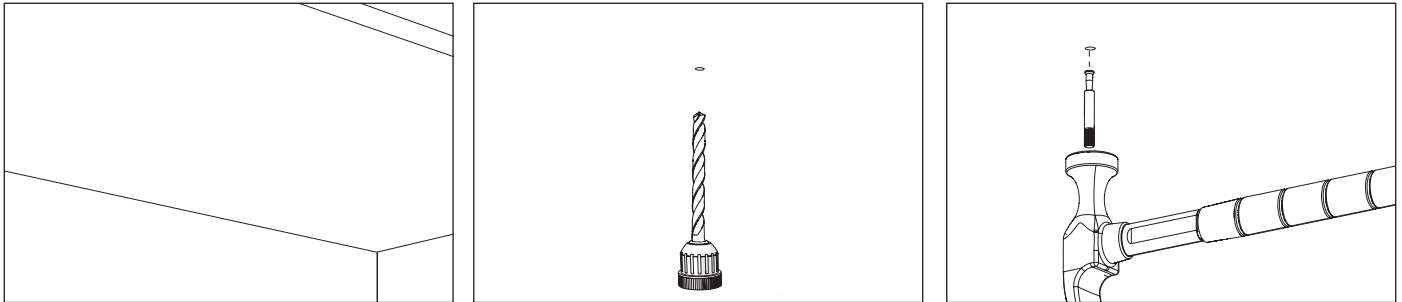
3. Suspended Soffit Method

Installation Instructions:

Step 1, 2 and 3

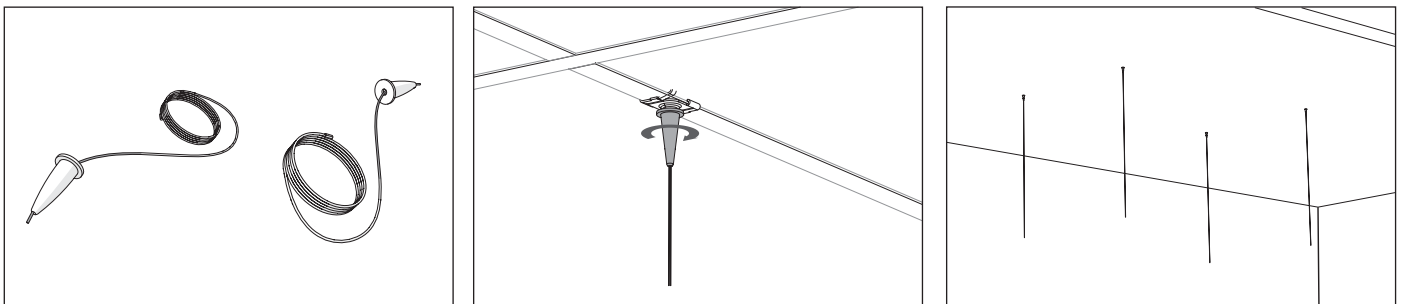
Prepare area and layout all components for use. Measure out area and mark spacing for required hole. Drill a 30mm hole. Hammer Concrete Dowel into hole.

Note: Spacing of aluminium extrusion should be parallel apart at either 600mm or 1200mm depending on the Capella blade size purchased.



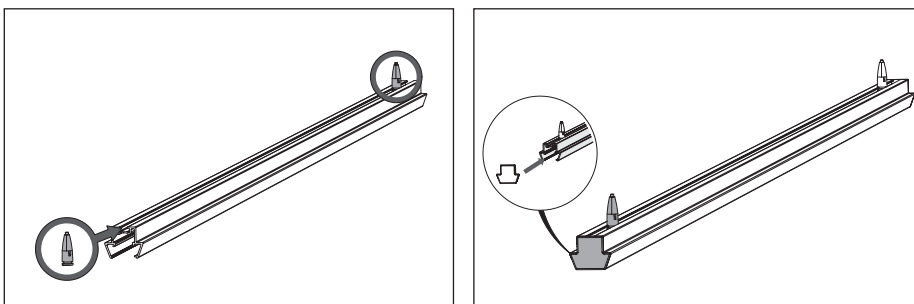
Step 4 and 5

Insert Suspension Wire through the bottom of the Eclipse Ceiling End and pull Suspension Wire all the way through till the end knuckle is secured inside the Eclipse Ceiling End. Screw Eclipse Ceiling End into Concrete Dowel. Ensure Eclipse is screwed all the way to the top of the dowel.



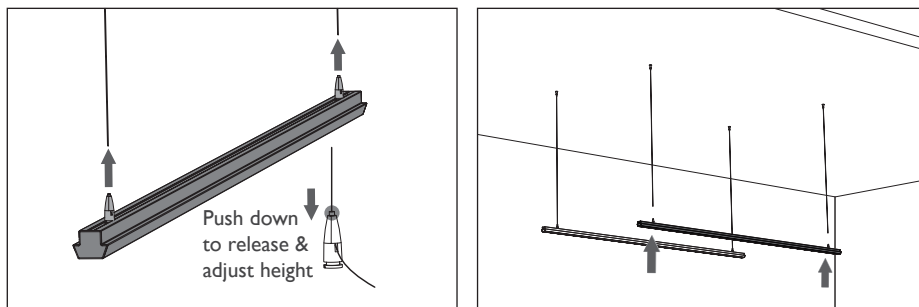
Step 6 and 7

Slide in both Eclipse Rail Ends into the aluminium extrusion. Insert end caps on either side of the aluminium extrusion.



Step 7 and 8

Insert Suspension Cord through the Eclipse Rail End already attached to the aluminium extrusion. Ensure the cord is threaded through the lower hole. Repeat step for all suspension cords.



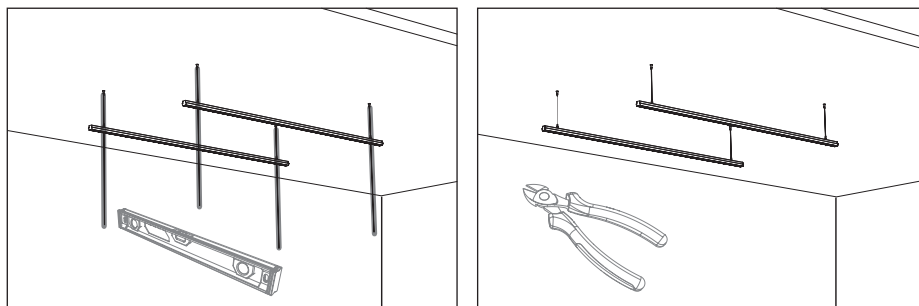
Step 9, 10 and 11

Whilst supporting the suspension cord firmly with one hand, lift the aluminium extrusion to the required height ensuring it is level. Repeat step for all suspension cords.

TIP: Do this gradually over all 4 anchor points to simplify the raising process.

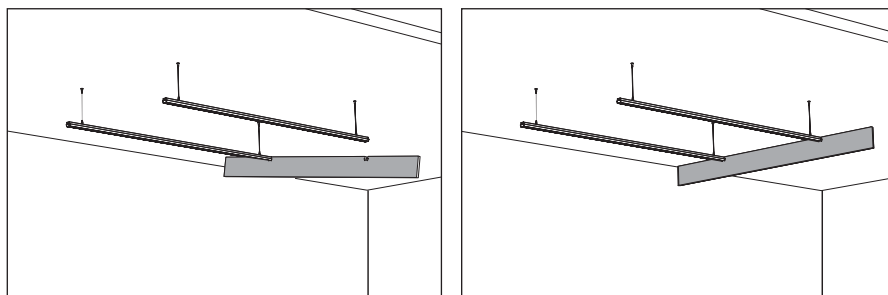
Once level and in position, cut off excess suspension cord with side cutters.

Note: Once you cut this excess suspension cord you can no longer lower the height of this system. Make sure you are absolutely happy with the height before cutting the cord.



Step 12

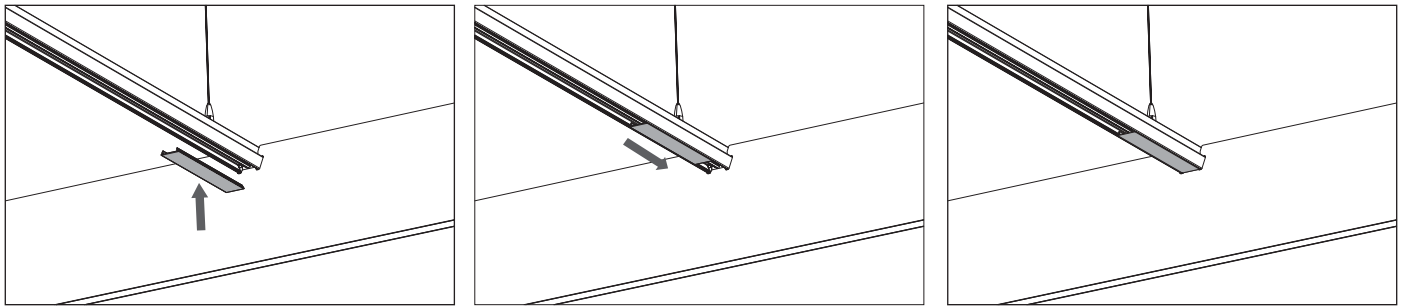
Snap your first acoustic blade flushed to the edge of the aluminium extrusion.



Step 13

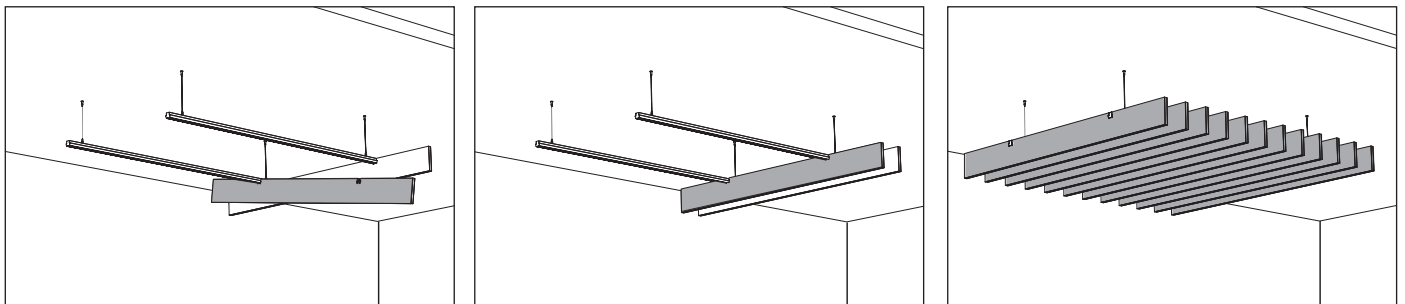
Insert the Snap Covers near the first blade you have already installed and slide across.

Note: Trim the Snap Cover to the required size to use as snap cover/spacer for Capella blades using a drop saw. Ensure you consider the thickness of the acoustic panels when determining a spacing size to cover the entire 2.5m.



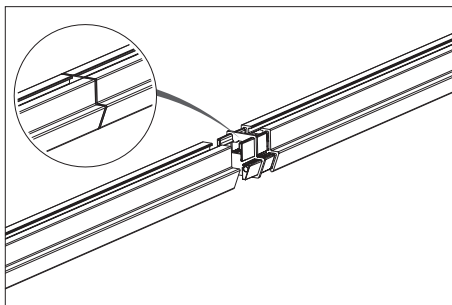
Step 14

Continue until you have positioned all blades and snap covers across the entire system.



Step 15

For modular setup use supplied connector.



Physical Description and Properties

Product Name:	Verto
Patent Pending:	Panel Mounting System AU - 2019901268
Composition:	Aluminium 6060 T5 6060 alloy is one of the most common alloys of the 6000 series. It is a heat treatable alloy with very good corrosion resistance and weldability. It is commonly used in window and door frames in residential and commercial applications.
Channel:	Verto hanging and mounting system
Channel Length:	Available in 2.5 meters and 1.2 meters
Coatings:	Pearl White and Satin Black - Powder Coated, Clear Anodised (25UM)
T-Grid Safe Working Load*:	20 kg per anchor, safety factor of 5
Suspension Cord Safe Working Load*:	25 kg per anchor
Soffit Concrete Dowel Safe Working Load*:	25 kg per anchor
Intended Use:	<ul style="list-style-type: none">• Verto is suitable for indoor use only• Appropriate for ceiling or wall applications or both, ceiling to wall combinations• Compatible for suspension or direct fix to ceiling structures or direct fix to walls• Verto can also be tension fit for decorative screen applications• Verto is compatible to use with both Capella and Allora
Fire Sprinkler Considerations:	Fire sprinkler should be mounted below the blades in accordance with clauses 5.7.2 to 5.7.8 from AS2118.1-1999
Verto Care and Maintenance	<ul style="list-style-type: none">• To clean your aluminium, wash down with a solution of warm water and non-abrasive, pH neutral detergent with a soft damp cloth. Rinse thoroughly to remove any residue• For environments classified as high corrosion areas, cleaning should occur at a minimum of every 3 months• For low corrosion areas aluminium should be cleaned at least every 12 months• Remove all acoustic blades and lighting before cleaning aluminium

* Always check with the builder before suspending or fixing any product to the ceiling.