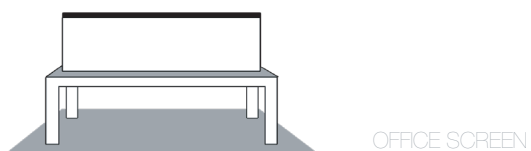
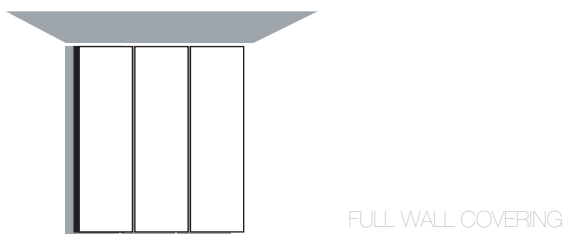
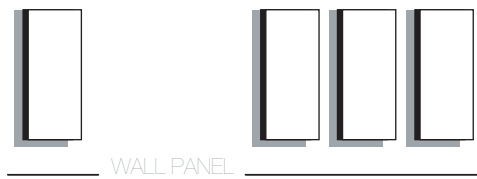
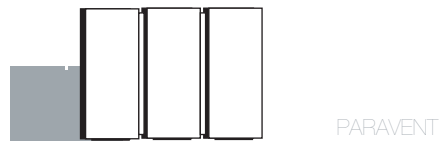


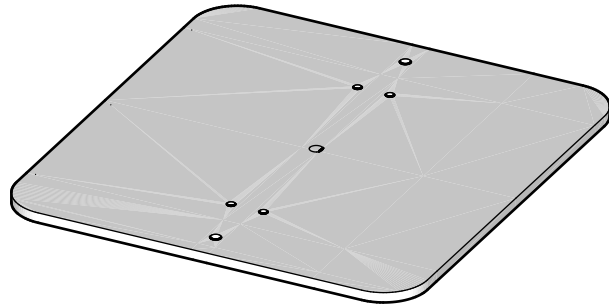
ARCHITEXTILES

CONFIGURATION



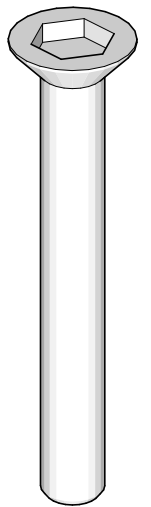


0104.011 / 0104.012

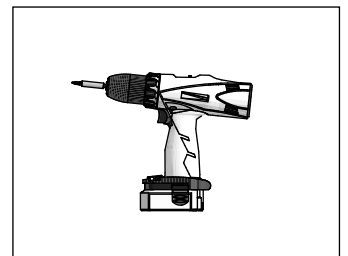
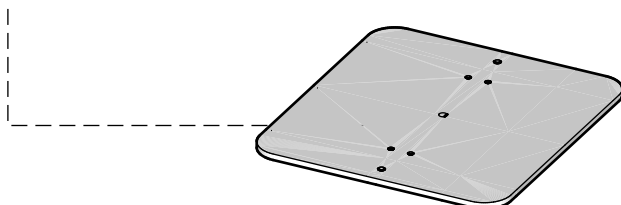
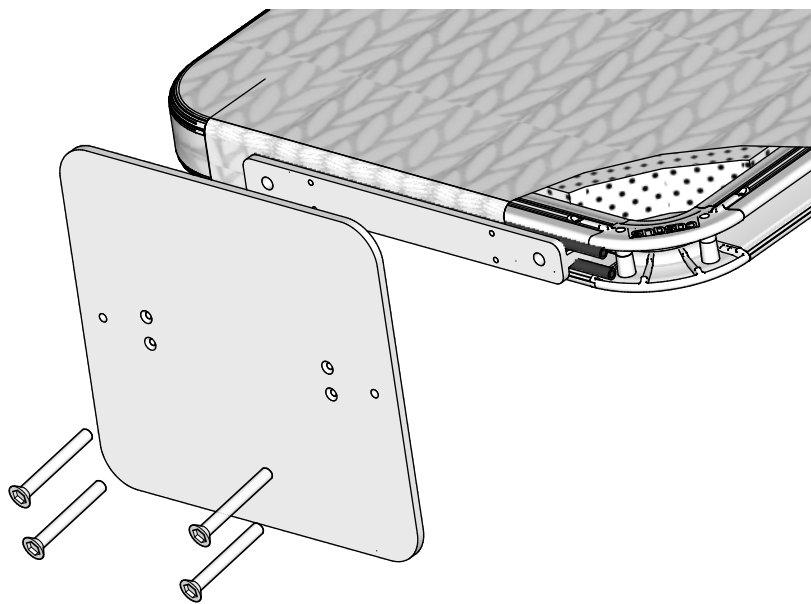


X 1

0113.001

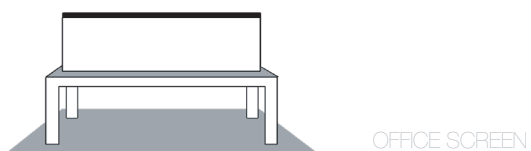
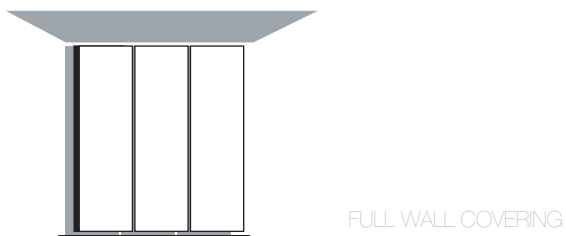
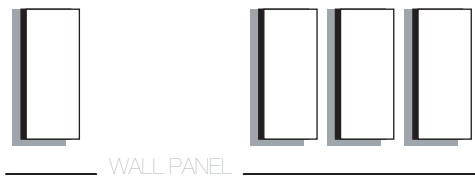


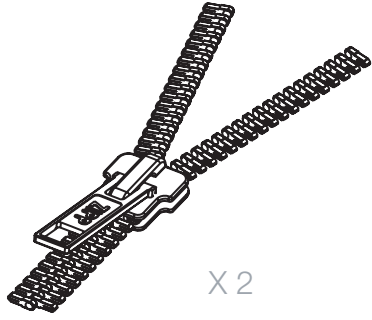
X 4



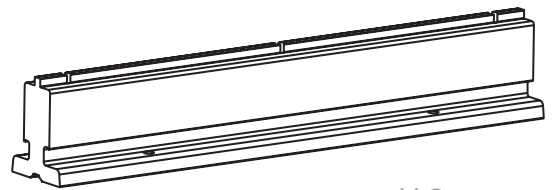
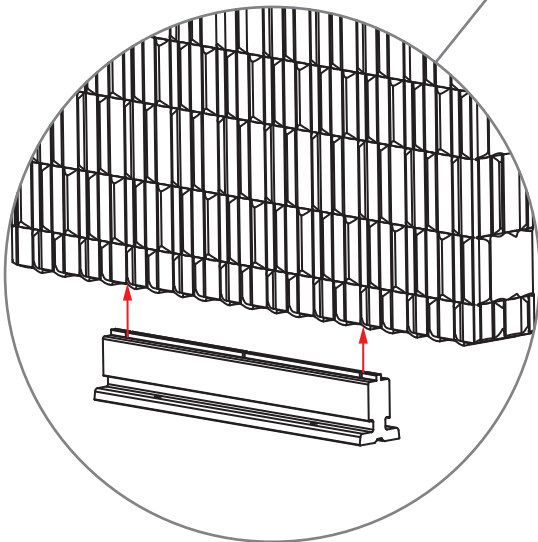
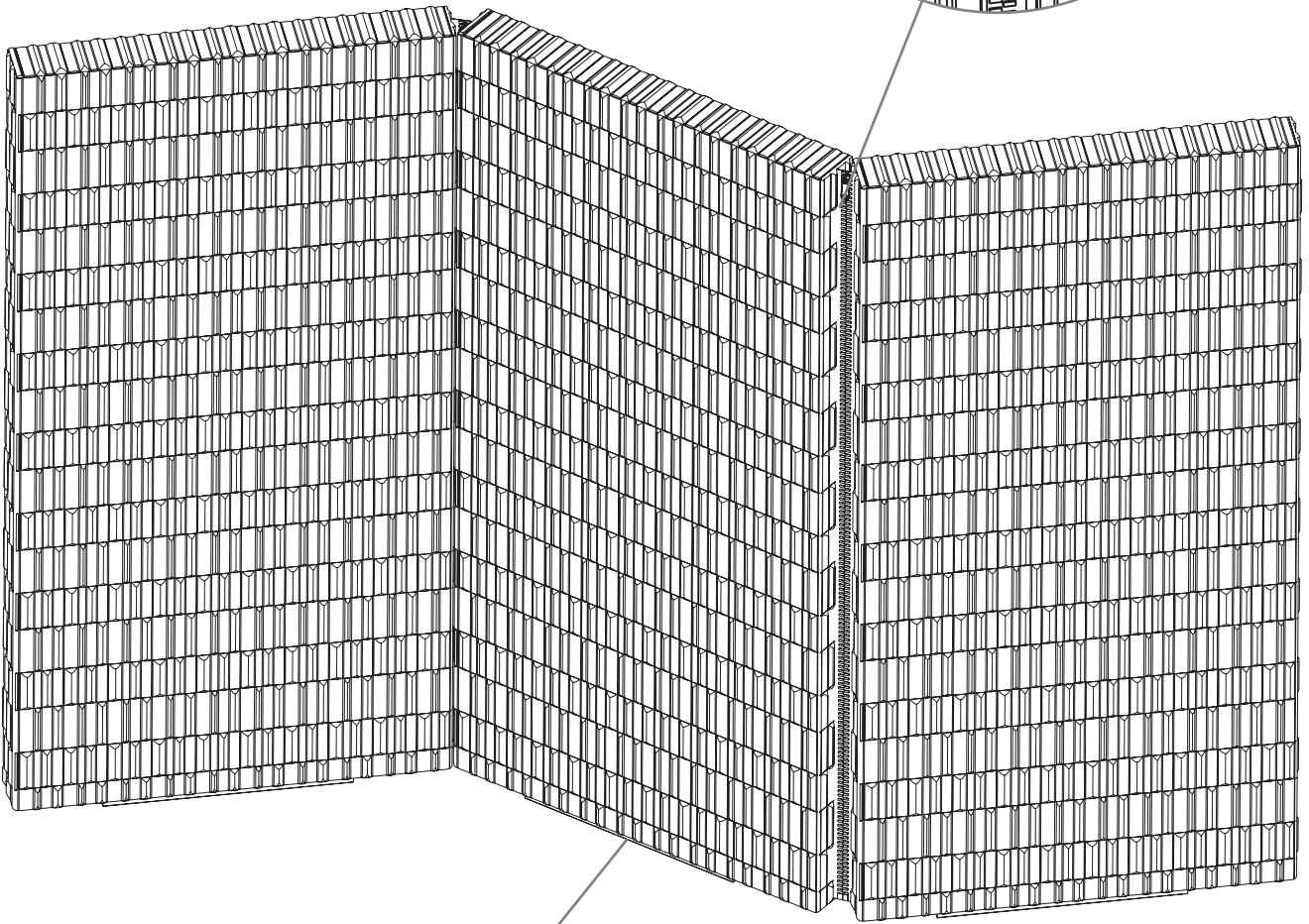
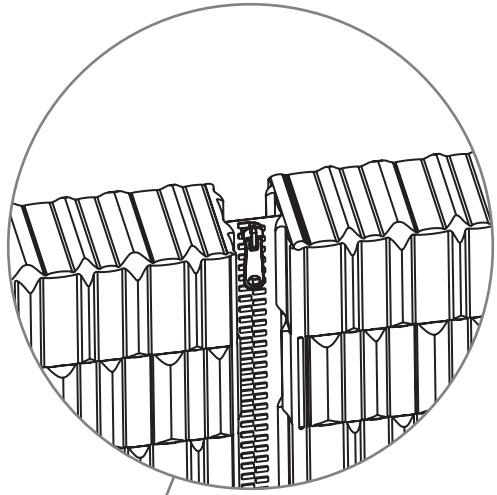
ARCHITEXTILES

CONFIGURATION





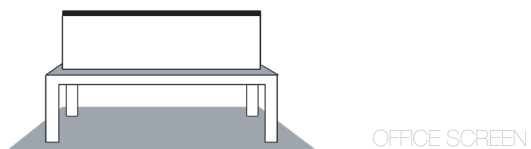
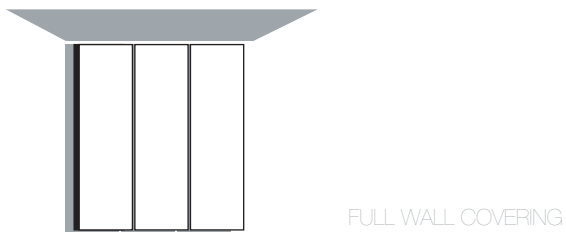
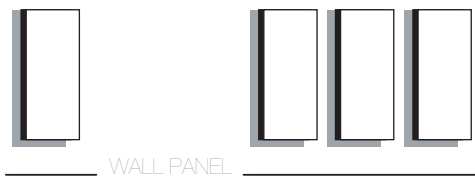
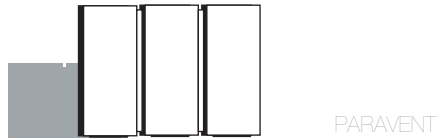
X2

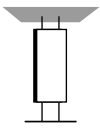


X3

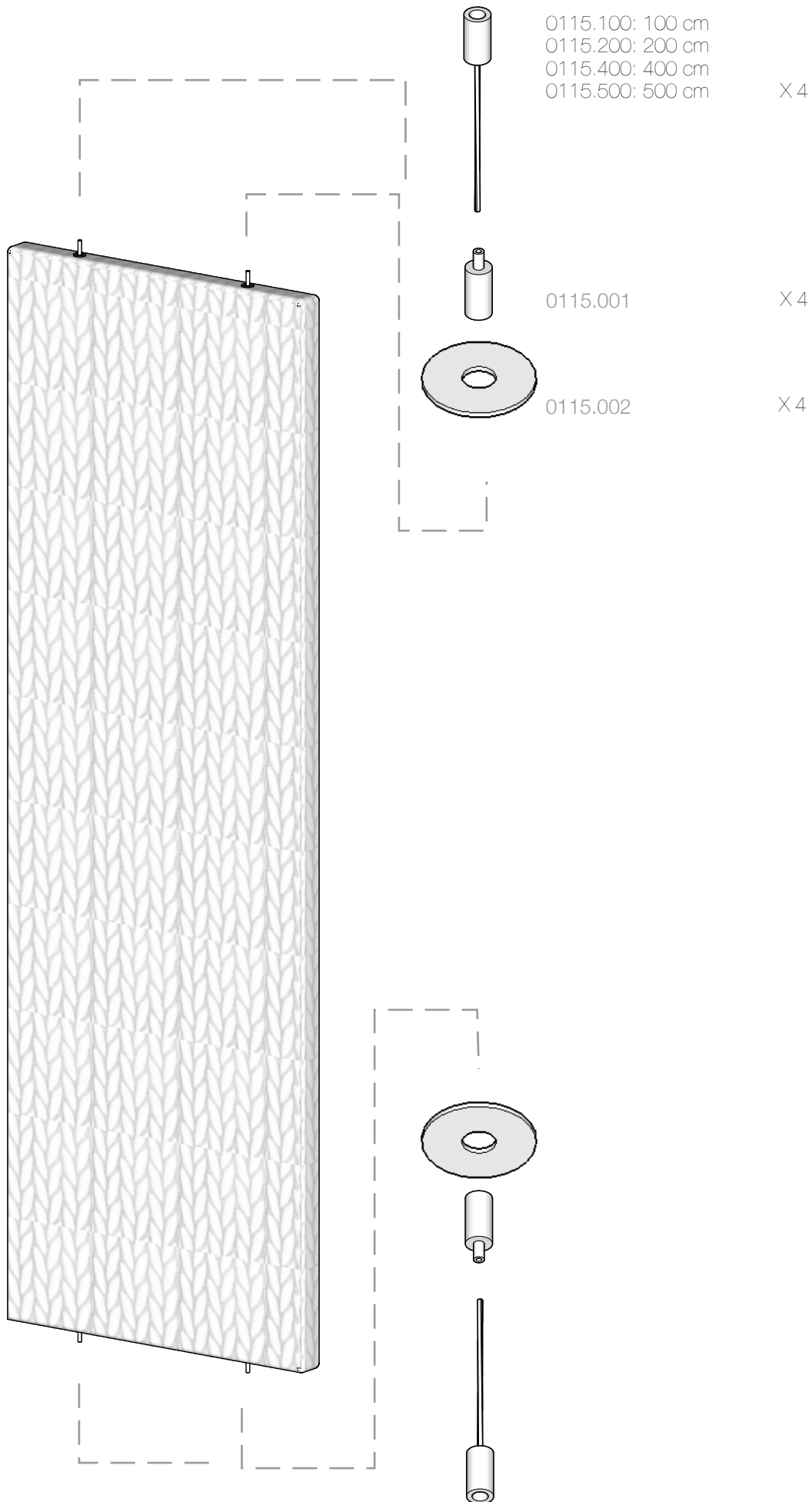
ARCHITEXTILES

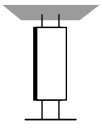
CONFIGURATION



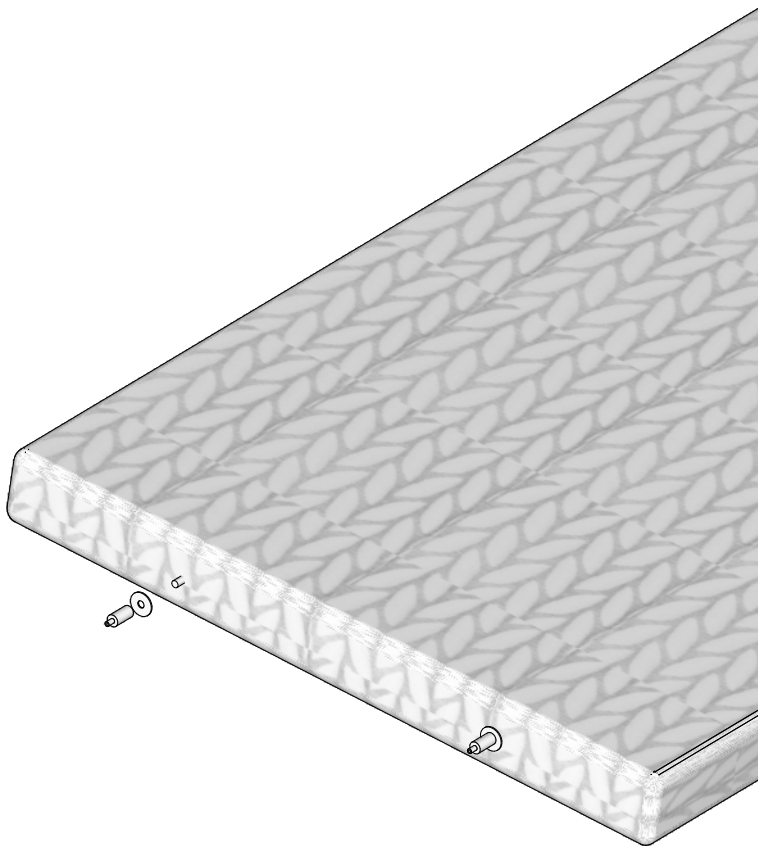


ARCHITEXTILES

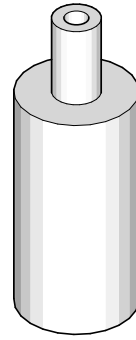




ARCHITEXTILES

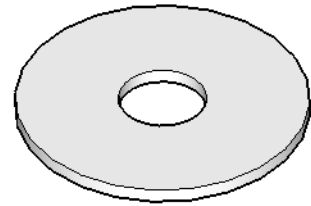


0115.001



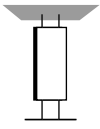
X 4

0115.002

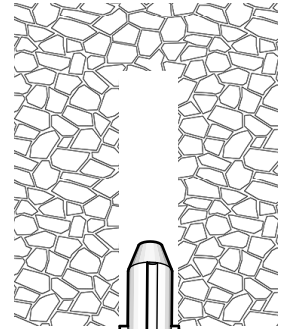
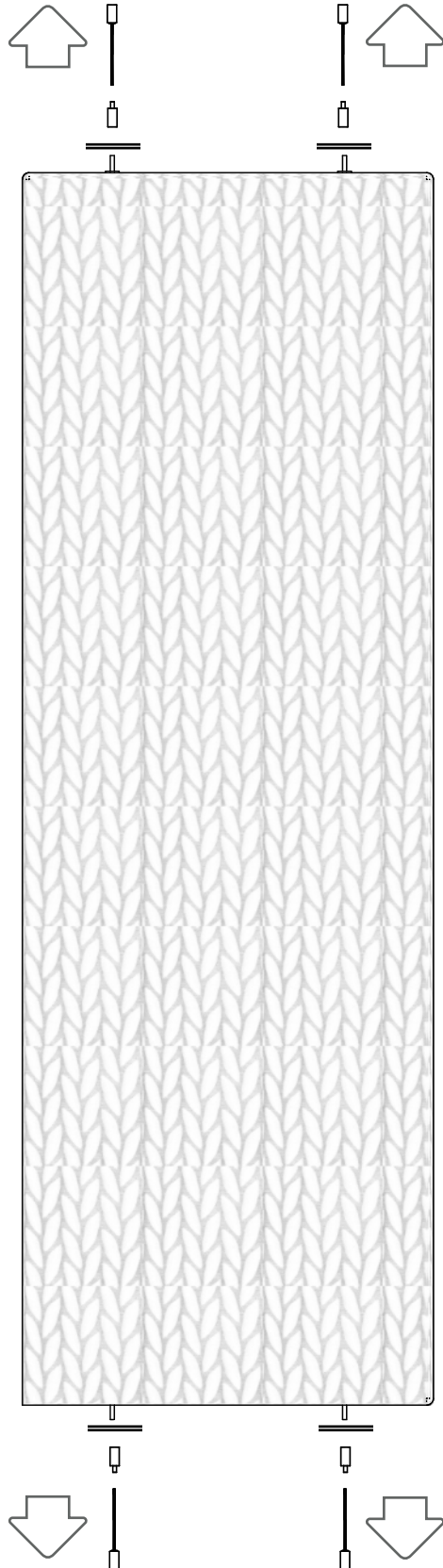
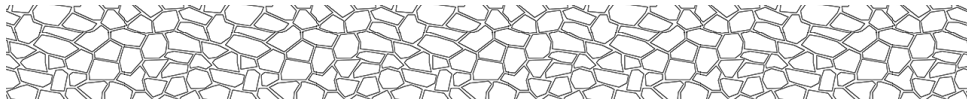


X 4



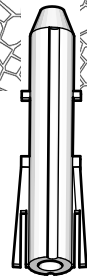


ARCHITEXTILES



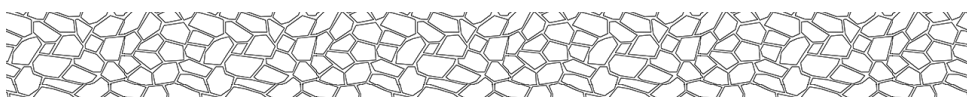
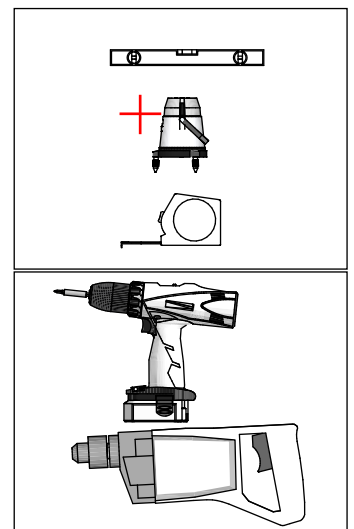
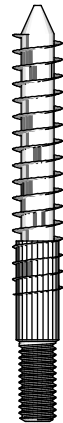
X 4

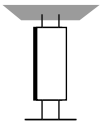
0120.002



X 4

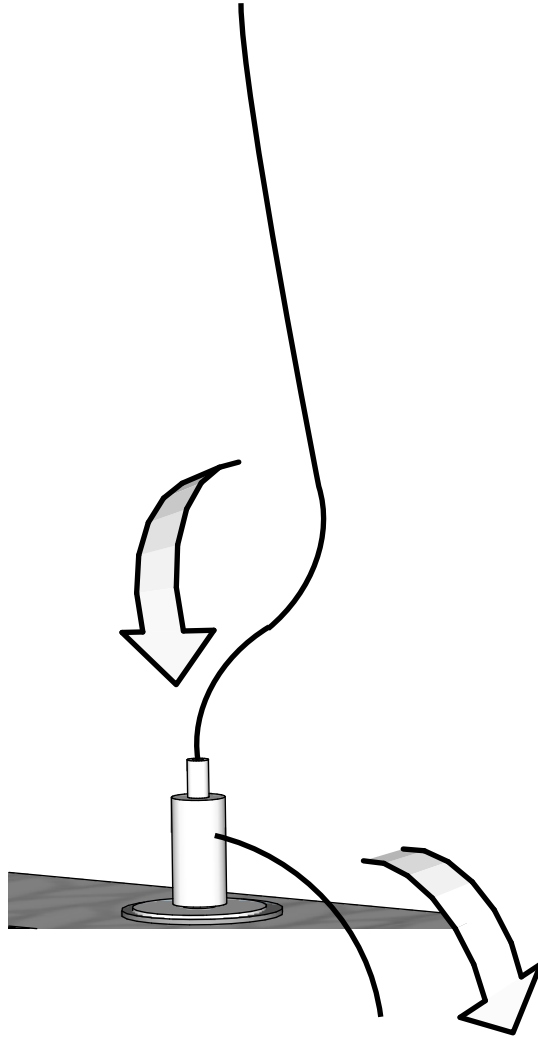
0121.000



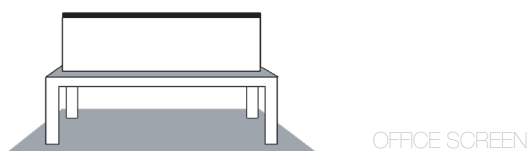
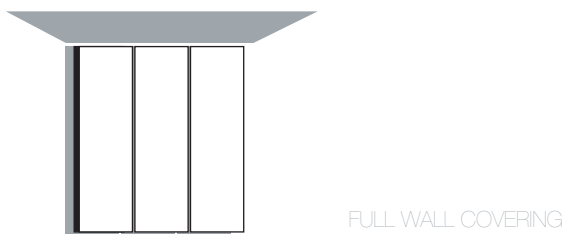
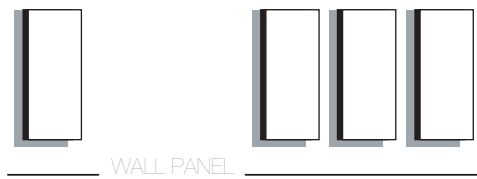
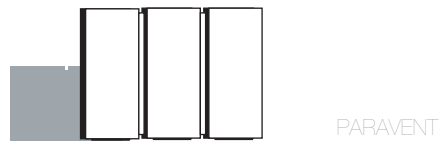


ARCHITEXTILES

X4

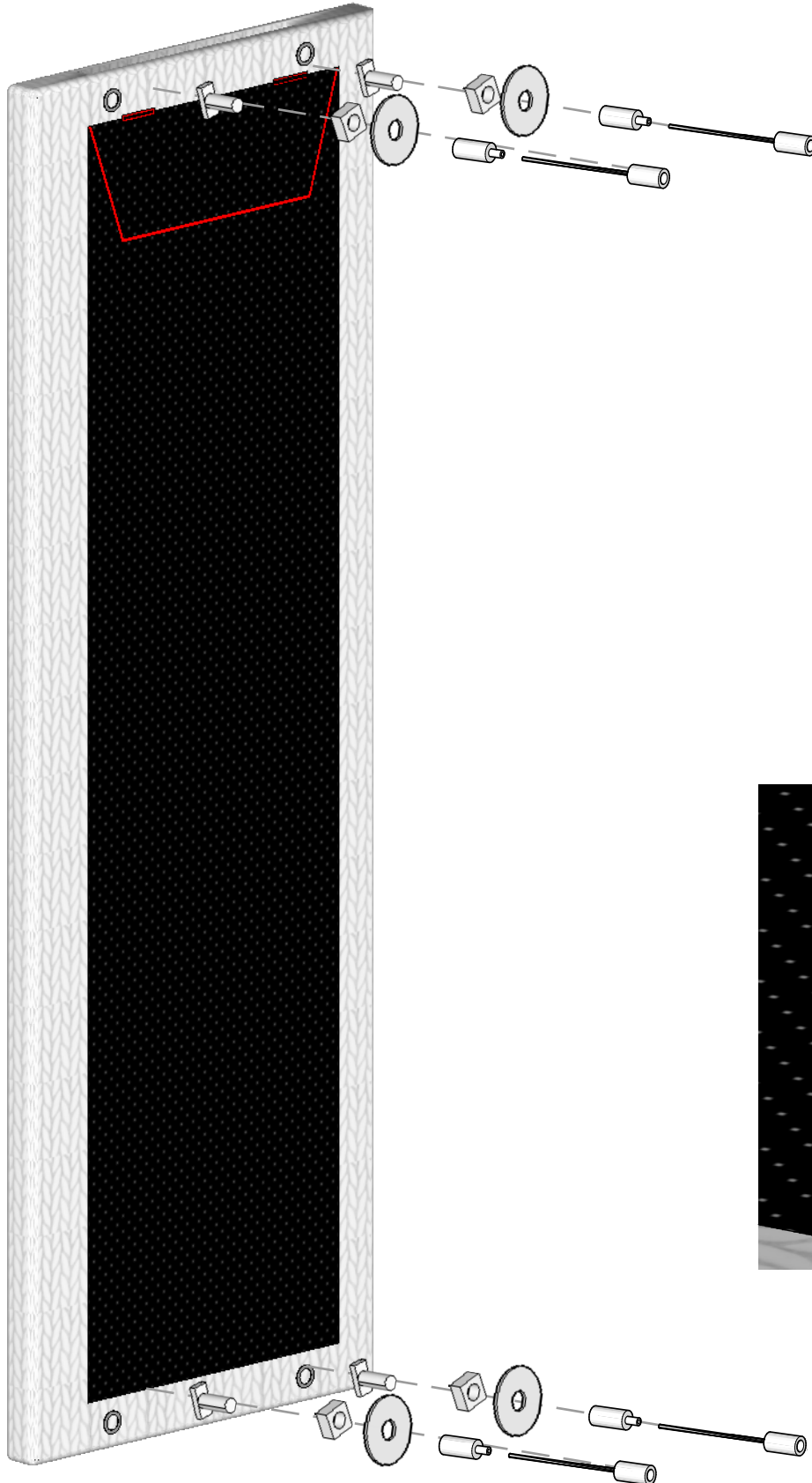


ARCHITEXTILES CONFIGURATION





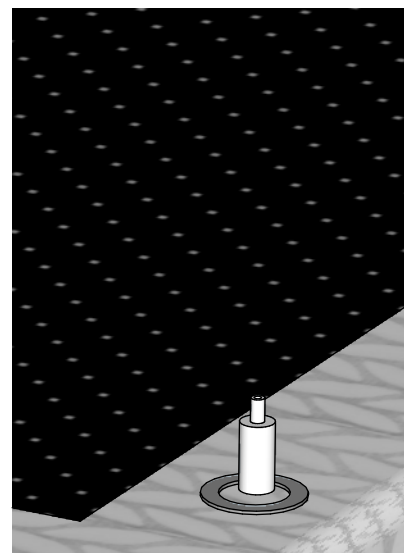
ARCHITEXTILES



0115.100: 100 cm
0115.200: 200 cm
0115.400: 400 cm
0115.500: 500 cm

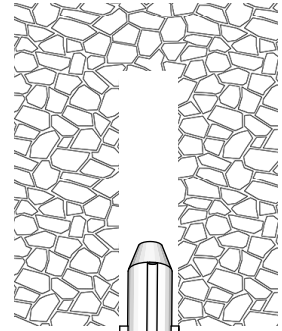
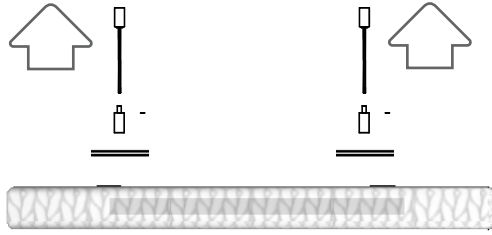
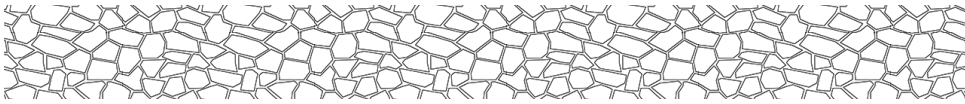
0115.001

X 4

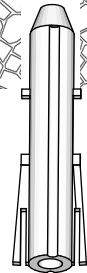




ARCHITEXTILES



0120.002

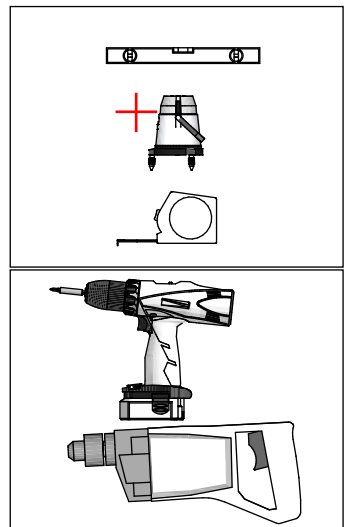


X 4

0121.000

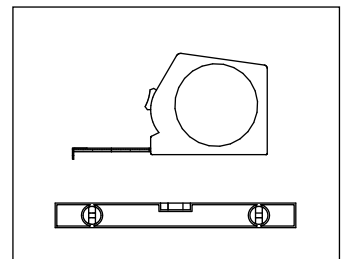
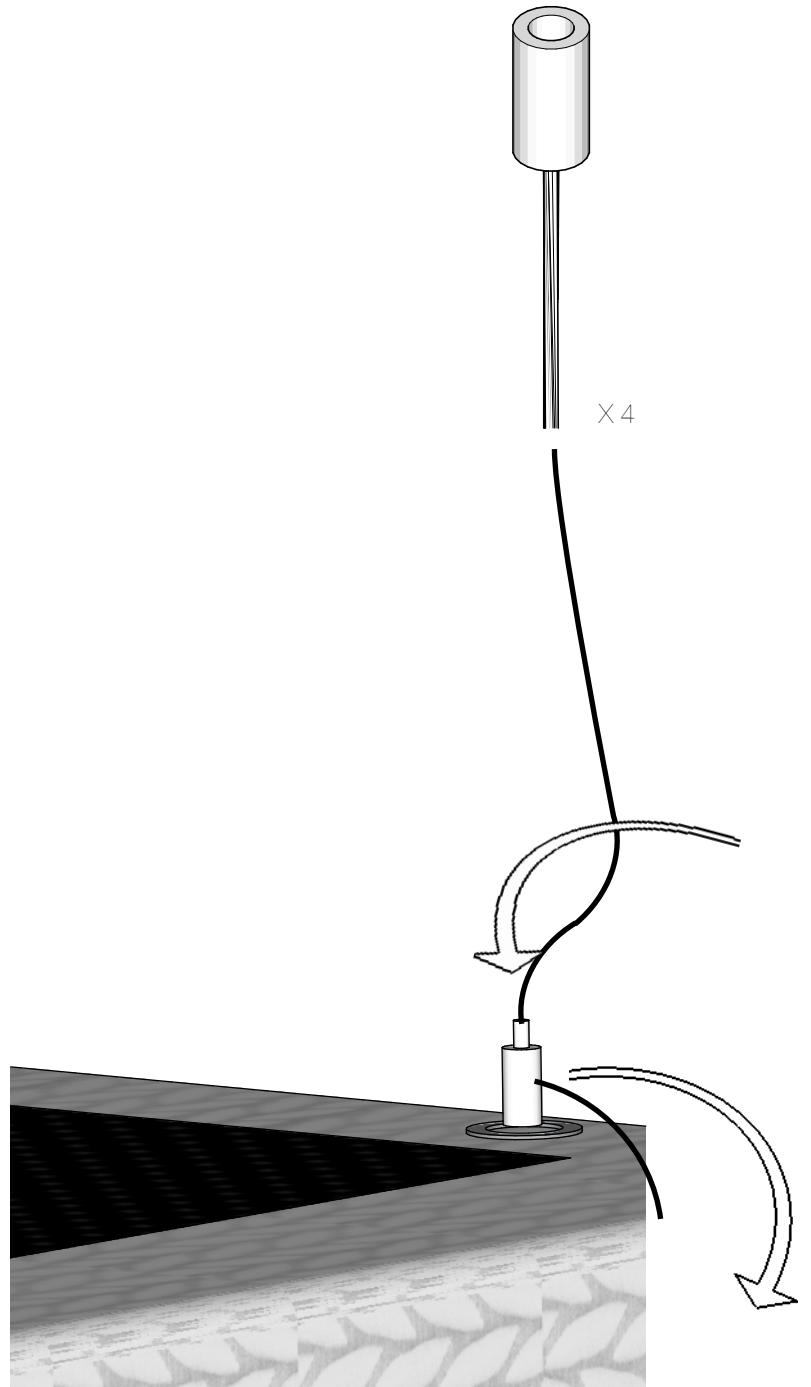


X 4



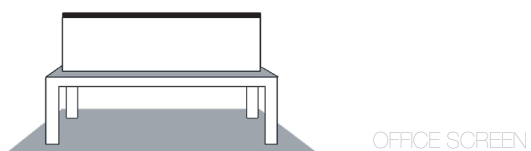
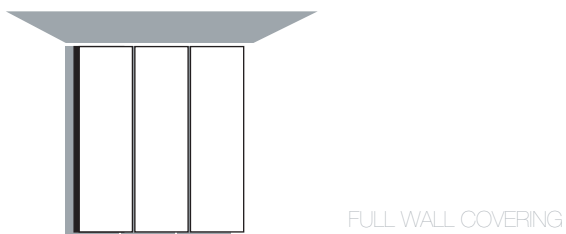
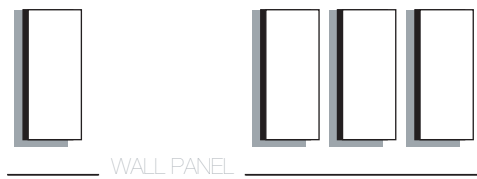
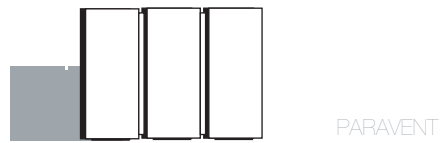


ARCHITEXTILES



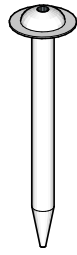
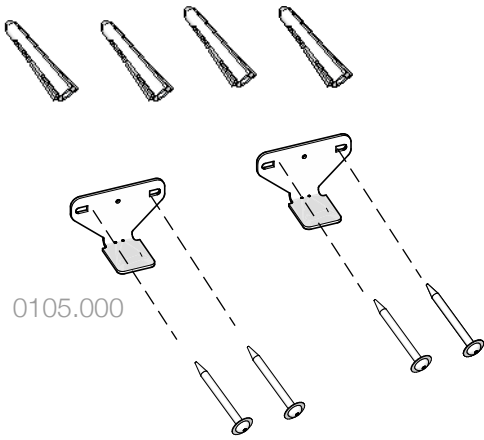
ARCHITEXTILES

CONFIGURATION



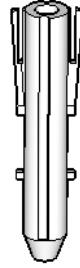


ARCHITEXTILES



0117.000

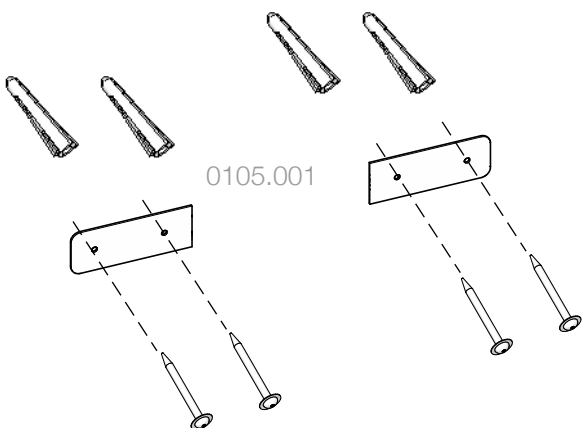
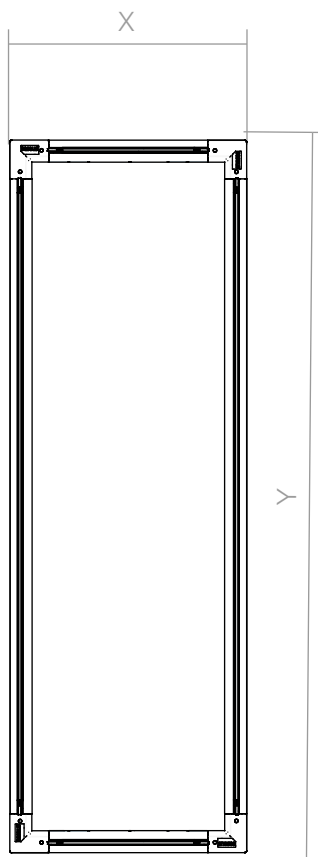
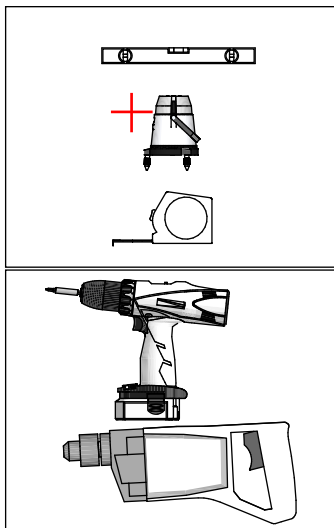
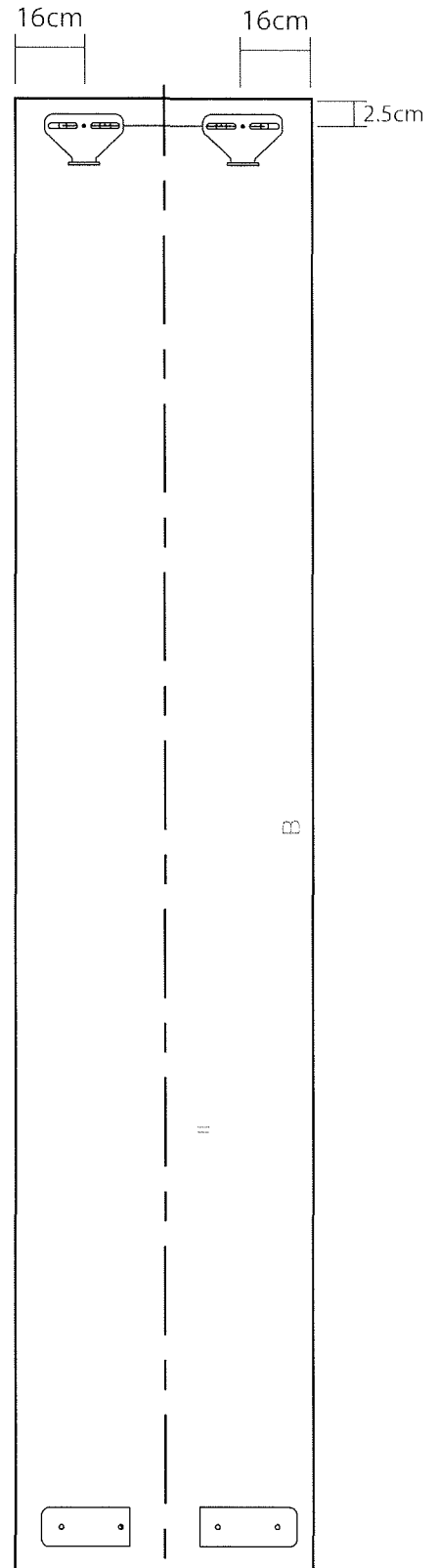
X 10



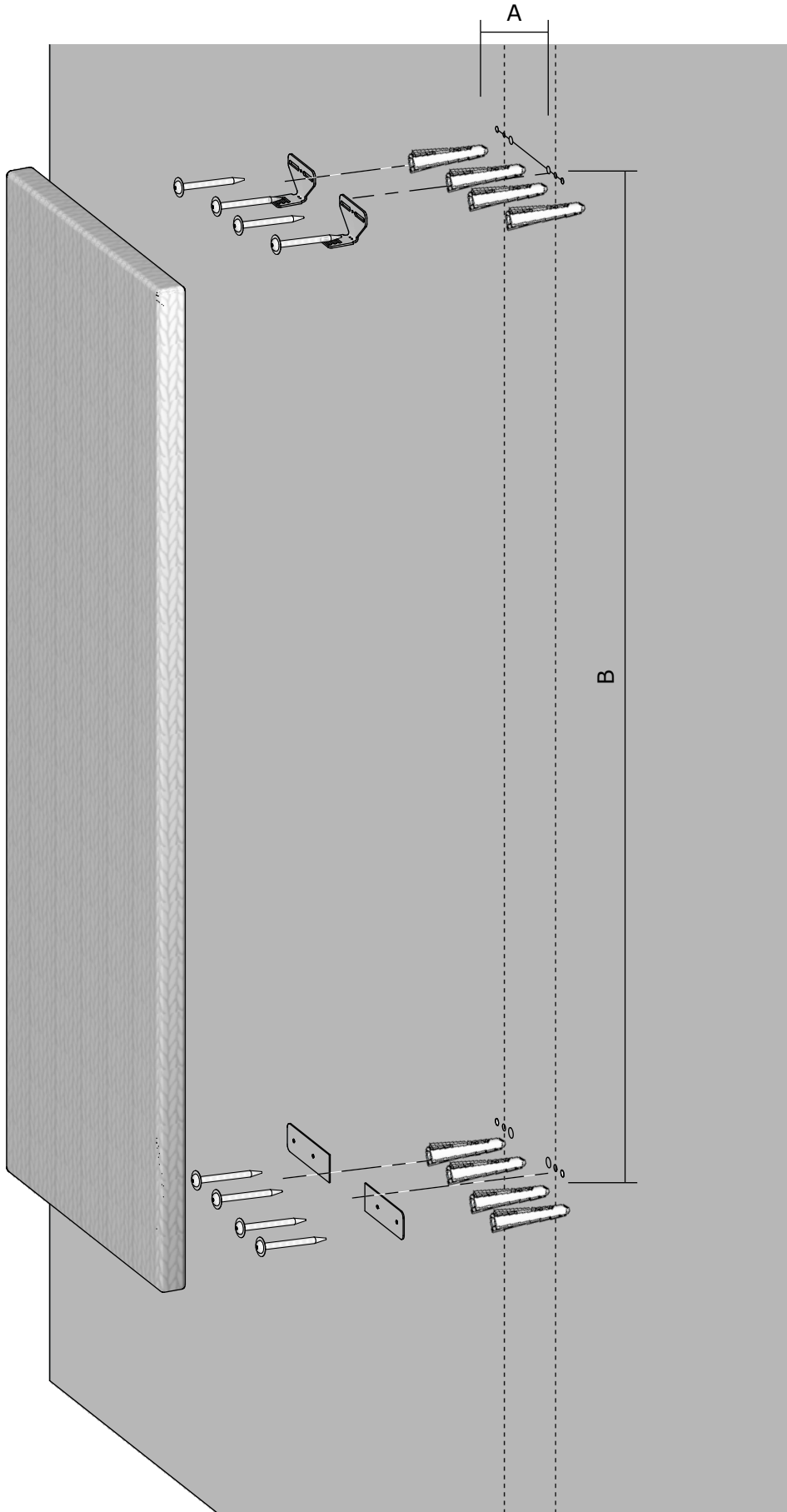
0120.000

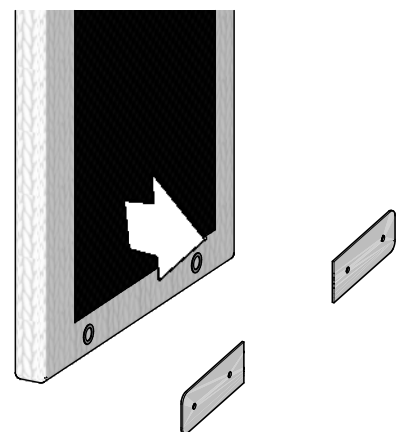
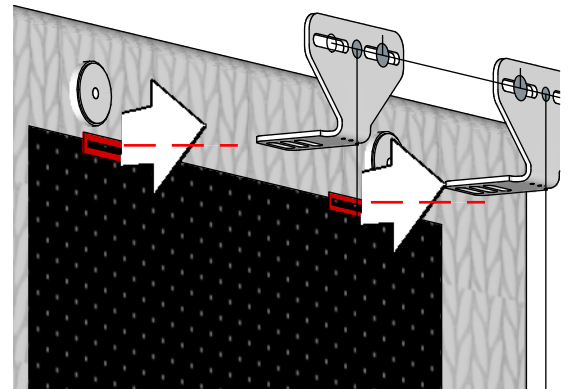
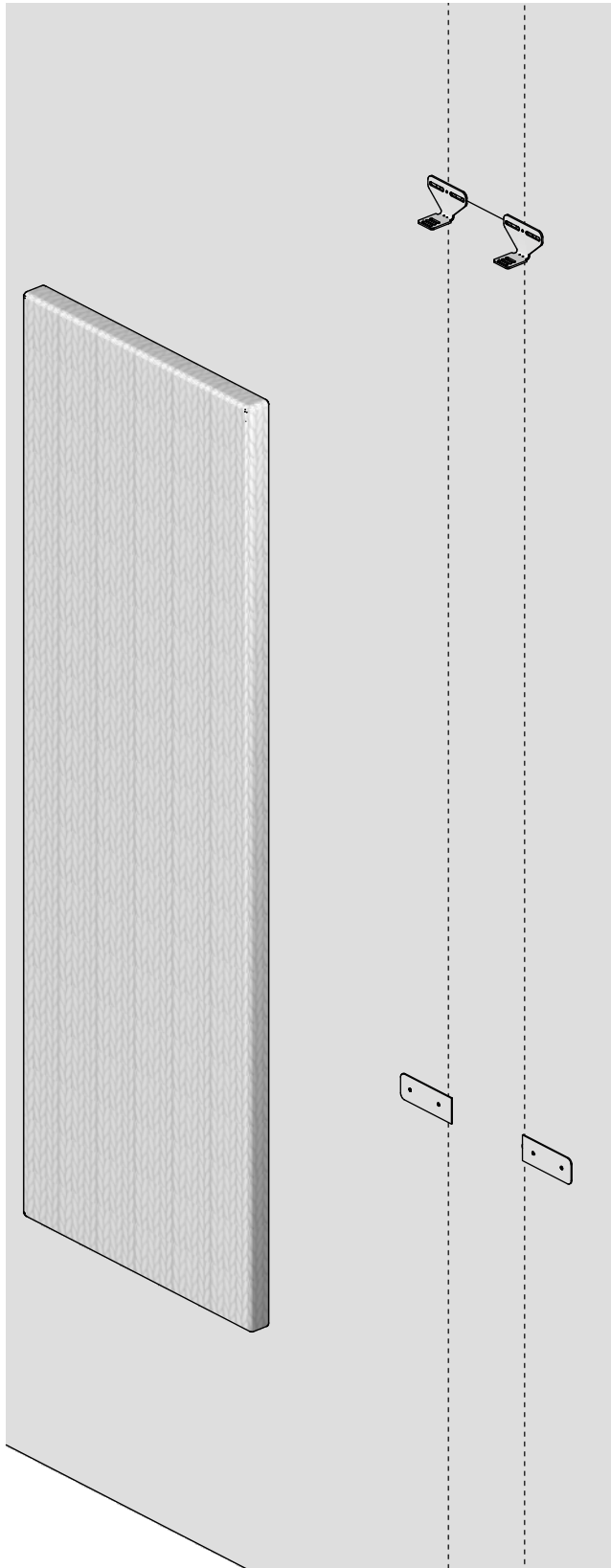
X 10

0105.000



0105.001





ARCHITEXTILES

CONFIGURATION

