



Clarity™ Box Baffle for conference room

Clarity™ Blade and Box Baffle

The Clarity™ Baffle collection is an elegant expression of the interaction of geometric shapes in spaces. Drawing inspiration from organic geometries and patterns found in the natural world, Clarity™ Baffle designs showcase a harmonious interplay of shape, density, arrangement, and variation. Boasting of excellent acoustic performance Clarity™ Baffle easily bridges the gap between function and aesthetic appeal.

Key Benefits and Features

- Easy to install with metal carriers and adjustable wire hangers
- Made from 100% polyester with 60% recycled PET material
- Excellent acoustic performance
- Lightweight and stable
- Safe, free of harmful VOCs
- Customizable for diverse spaces



Custom Clarity™ Blade Baffle

Product Specifications

Product Name Clarity™ Baffle
 Product ID Blade Baffle - 1153 / 1154 / 1155 / 1156 / 1157 / 1158
 Box Baffle - 1159 / 1160
 Composition 60% Recycled Polyester, 40% Polyester

VOC Emission

ASTM D5116 VOC < 2 µg/m³ (168 hours)
 Formaldehyde < 10 µg/m³ (168 hours)

Flammability

EN 13501-1 B-s1, d0

Acoustic Performance

Clarity™ Baffle is specifically designed to reduce and control reverberated (echo) noise in building interiors, with a minimum NRC of 0.80.

Noise Reduction Coefficient

ASTM C423 Squared NRC 0.80
 Boxed Broad NRC 1.30

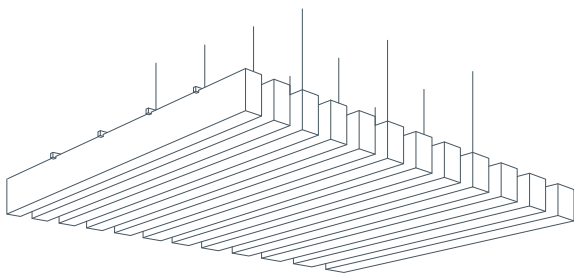
For Specifiers:

Acoustic ceiling system shall be Innovasia Clarity™ Baffle, high density bonded polyester acoustic panels containing not less than 60% recycled polyester, 12mm thickness with Noise Reduction Coefficient of 0.80 for blade configuration and 1.30 for box configuration (ASTM C423-09a). Flammability rating of EN 13501-1 Class B-s1, d0. Installation according to Innovasia Acoustics recommended installation instructions.

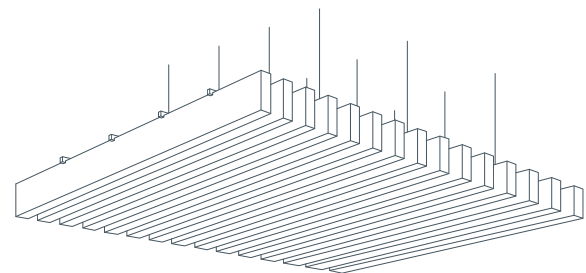
Standard Styles and Dimensions:

Clarity™ Box Baffle - 2 Styles

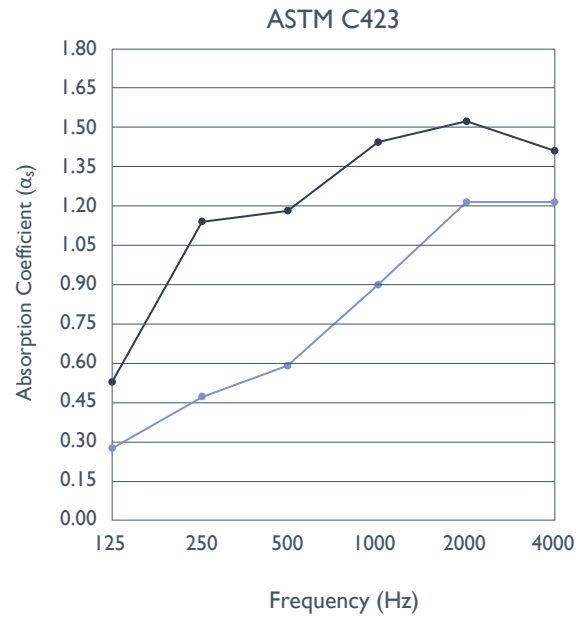
Box dimensions: 2200 mm x 238 mm x 112 mm
 Space between two boxes (centre to centre): 250 mm
 Module dimensions: 3000 mm x 2200 mm x 258 mm



Boxed Broad 1159



Boxed Slim 1160



Frequency (Hz)	125	250	500	1000	2000	4000	NRC
Clarity™ Baffle Squared	0.27	0.47	0.59	0.90	1.21	1.21	0.80
Clarity™ Baffle Boxed Broad	0.53	1.14	1.18	1.44	1.53	1.41	1.30

Care and Maintenance

Remove spills immediately using a clean, damp cloth. Use upholstery or carpet cleaner as directed, starting with an inconspicuous area.

Recycled Products

Clarity™ Baffle Solution is manufactured using a minimum of 60% post-consumer recycled materials and is recyclable after use.



Box dimensions: 2200 mm x 238 mm x 62 mm
 Space between two boxes (centre to centre): 200 mm
 Module dimensions: 3000 mm x 2200 mm x 258 mm



Standard Styles and Dimensions:

Clarity™ Blade Baffle - 6 Styles

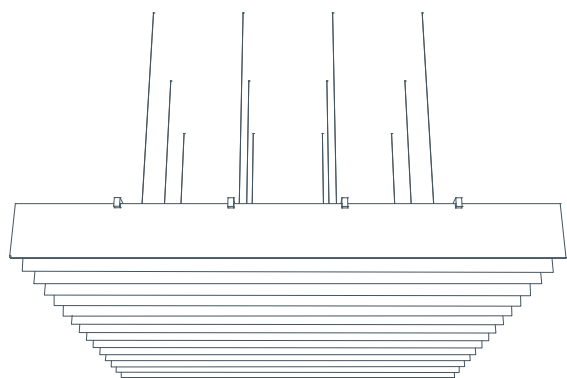
Blade dimensions: 2400 mm x 167 mm x 12 mm (Winged)

2400 mm x 238 mm x 12 mm (Squared, Rounded, Slanted & Rippled)

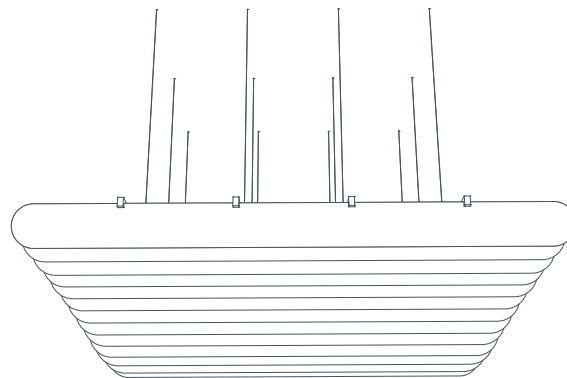
2400 mm x 200 mm x 12 mm (Undulated)

Space between two blades (centre to centre): 200 mm

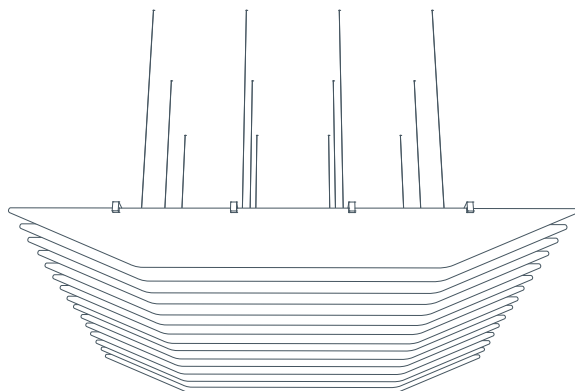
Module dimensions: 3000 mm x 2400 mm x 187 mm - 258 mm



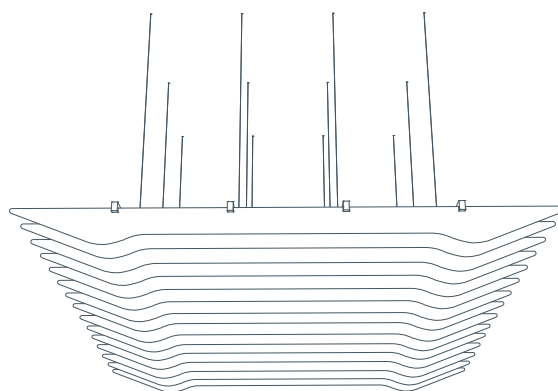
Squared I153



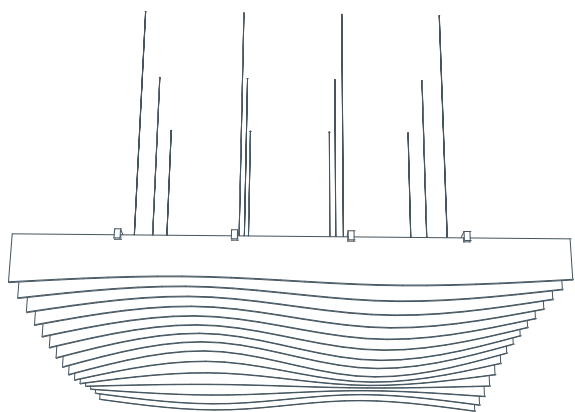
Rounded I154



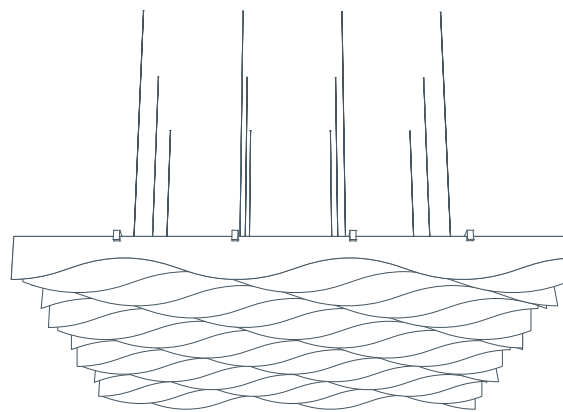
Slanted I155



Winged I156



Rippled I157



Undulated I158

Custom shapes and sizes can be produced upon request. Contact your Innovasia sales representative for more information.



Clarity™ Vario 12mm Color Options

					
Parsnip	Travertine	Blue Ice	Polaris Blue	Soft Sage	Whitecap
					
Raffia	Limestone	Sea Holly	Tidal	Honeydew	Quartzite
					
Sundance	Blush	Moonshine	Iceberg	Sprout	Sketch
					
Marigold	Hibiscus		Maya Blue	Parakeet	Overcast
					
Koi	Carmine	Pansy	Cornflower	Viridian	Shale
					
Warm Sand	Firebrick	Grape	Periwinkle	Bubblegum	Gunpowder
					
Coffee	Merlot		Harbor	Agave	Coal
					
Lark	Stone Grey	Tanzanite	Indigo	Deep Emerald	Ebony