



Clarity™ Box Baffle for conference room

Clarity™ Blade and Box Baffle

The Clarity™ Baffle collection is an elegant expression of the interaction of geometric shapes in spaces. Drawing inspiration from organic geometries and patterns found in the natural world, Clarity™ Baffle designs showcase a harmonious interplay of shape, density, arrangement, and variation. Boasting of excellent acoustic performance Clarity™ Baffle easily bridges the gap between function and aesthetic appeal.

Key Benefits and Features

- Easy to install with metal carriers and adjustable wire hangers
- Made from 100% polyester with 60% recycled PET material
- Excellent acoustic performance
- Lightweight and stable
- Safe, free of harmful VOCs
- Customizable for diverse spaces



Custom Clarity™ Blade Baffle

Clarity™ Vario 12mm Color Options

| | | | | | |
|-------------------------------------------------------------------------------------|-------------------------------------------------------------------------------------|-------------------------------------------------------------------------------------|-------------------------------------------------------------------------------------|---------------------------------------------------------------------------------------|---------------------------------------------------------------------------------------|
|  |  |  |  |  |  |
| Parsnip | Travertine | Blue Ice | Polaris Blue | Soft Sage | Whitecap |
|  |  |  |  |  |  |
| Raffia | Limestone | Sea Holly | Tidal | Honeydew | Quartzite |
|  |  |  |  |  |  |
| Sundance | Blush | Moonshine | Iceberg | Sprout | Sketch |
|  |  | |  |  |  |
| Marigold | Hibiscus | | Maya Blue | Parakeet | Overcast |
|  |  |  |  |  |  |
| Koi | Carmine | Pansy | Cornflower | Viridian | Shale |
|  |  |  |  |  |  |
| Warm Sand | Firebrick | Grape | Periwinkle | Bubblegum | Gunpowder |
|  |  | |  |  |  |
| Coffee | Merlot | | Harbor | Agave | Coal |
|  |  |  |  |  |  |
| Lark | Stone Grey | Tanzanite | Indigo | Deep Emerald | Ebony |



Product Specifications

Product Name Clarity™ Baffle
 Product ID Blade Baffle - 1153 / 1154 / 1155 /
 1156 / 1157 / 1158
 Box Baffle - 1159 / 1160

Composition  60% Recycled Polyester, 40% Polyester

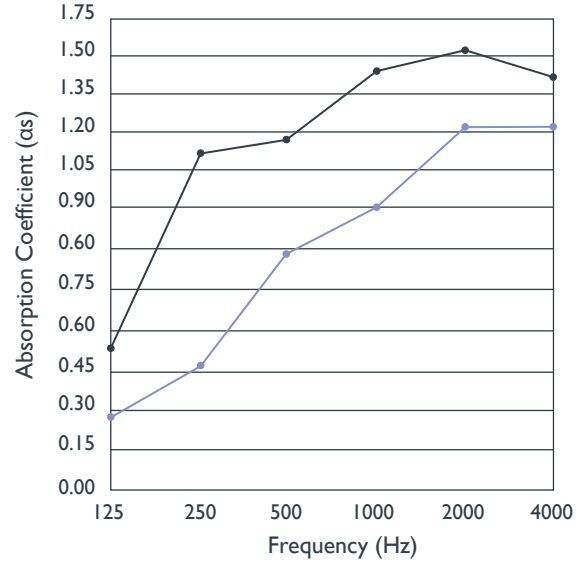
VOC Emission
 ASTM D5116 VOC < 2 µg/m³ (168 hours)
 Formaldehyde < 10 µg/m³ (168 hours)

Flammability
 EN 13501-1 B-s1, d0

Acoustic Performance
 Clarity™ Baffle is specifically designed to reduce and control reverberated (echo) noise in building interiors, with a minimum NRC of 0.80.

Noise Reduction Coefficient
 ASTM C423 Squared NRC 0.80
 Boxed Broad NRC 1.30

ASTM C423



| Frequency (Hz) | 125 | 250 | 500 | 1000 | 2000 | 4000 | NRC |
|------------------------------------|------|------|------|------|------|------|-------------|
| Clarity™ Baffle Squared | 0.27 | 0.47 | 0.59 | 0.90 | 1.21 | 1.21 | 0.80 |
| Clarity™ Baffle Boxed Broad | 0.53 | 1.14 | 1.18 | 1.44 | 1.53 | 1.41 | 1.30 |

For Specifiers:

Acoustic ceiling system shall be Innovasia Clarity™ Baffle, high density bonded polyester acoustic panels composed of 100% polyester with not less than 60% recycled polyester in 12mm thickness, with Noise Reduction Coefficient of 0.80 for blade configuration and 1.30 for box configuration (ASTM C423-09a). Flammability rating of EN 13501-1 Class B-s1, d0. Installation according to Innovasia Acoustics recommended installation instructions.

Care and Maintenance

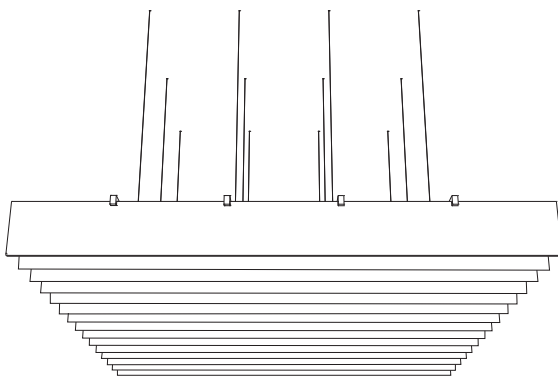
Remove spills immediately using a clean, damp cloth. Use upholstery or carpet cleaner as directed, starting with an inconspicuous area.

Standard Styles and Dimensions:

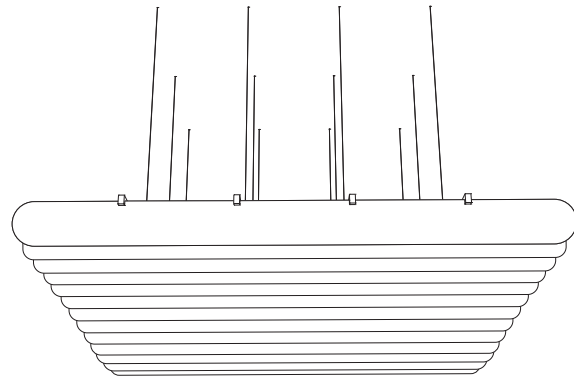
Clarity™ Blade Baffle - 6 Styles

Baffle dimensions: 2400 mm x 167 mm x 12 mm (Winged)
 2400 mm x 238 mm x 12 mm (Squared, Rounded, Slanted & Rippled)
 2400 mm x 200 mm x 12 mm (Undulated)

Space between two baffles (centre to centre): 200 mm
 Module dimensions: 3000 mm x 2400 mm x 187 mm - 258 mm



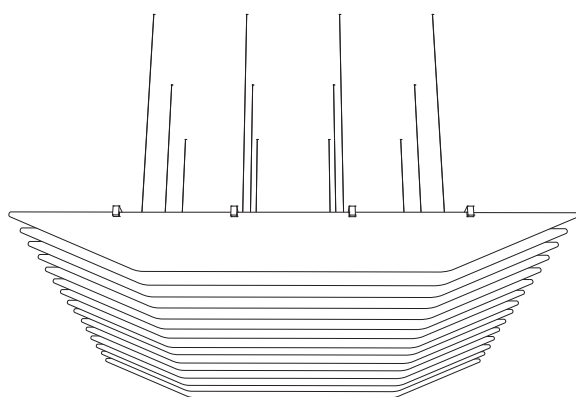
Squared 1153



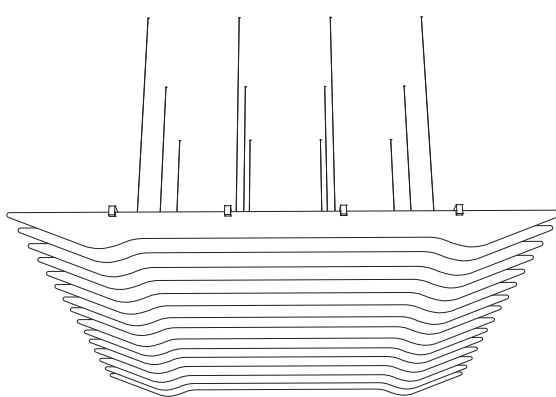
Rounded 1154



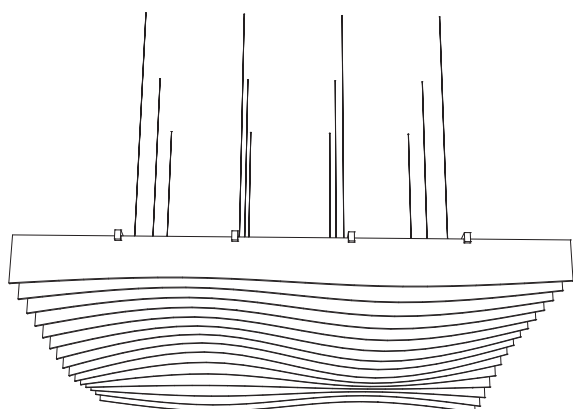
Standard Styles and Dimensions:



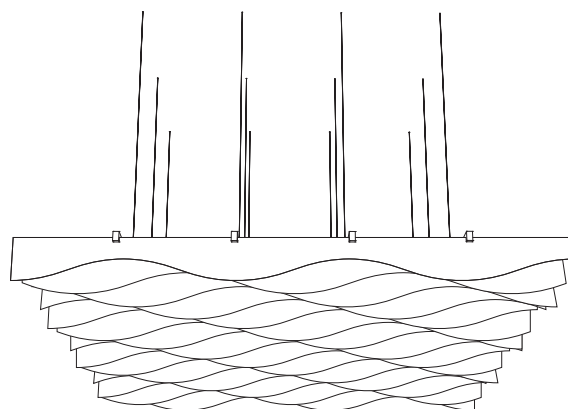
Slanted I155



Winged I156



Rippled I157

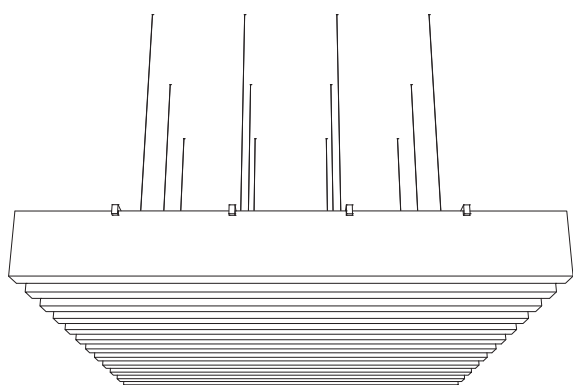


Undulated I158

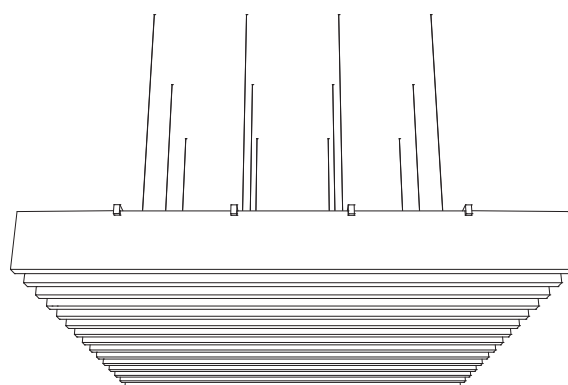
Clarity™ Box Baffle - 2 Styles

Baffle dimensions: 2200 mm x 238 mm x 112 mm
 Space between two baffles (centre to centre): 250 mm
 Module dimensions: 3000 mm x 2200 mm x 258 mm

Baffle dimensions: 2200 mm x 238 mm x 62 mm
 Space between two baffles (centre to centre): 200 mm
 Module dimensions: 3000 mm x 2200 mm x 258 mm



Boxed Broad I159



Boxed Slim I160

Custom shapes and sizes can be produced upon request. Contact your Innovasia sales representative for more information.