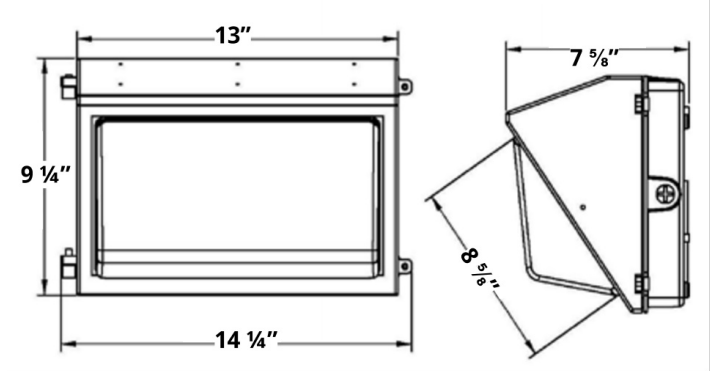


LED PRO'S™



70W LED WALL PACK FIXTURE

MODEL: WP70WH-5K

FEATURES

- Ideal for security perimeter, pathway lighting.
- Typical Applications: Schools, warehouse/office complex, retail center, apartments, hotels, condominiums.

SPECIFICATIONS

- Voltage: 120-277AC
- Wattage: 70W
- Lumens: 5,610
- Color Temp: 5000K
- Finish: White / Bronze
- Mounting Height: 12 to 18 feet
- Spacing: 2 to 3 times mounting height
- Wet Location
- Beam Angle: 120°
- LED Brand: Philips LumiLEDs
- Efficiency: >90%
- Warranty: 5 Years
- Certifications: UL CL Rohs
- Optional DLC cover available



PHILIPS
LUMILEDS