

# Assembling and Installing Palette 103MEXT Extension Kit on the Medium French Resistance Pochade™

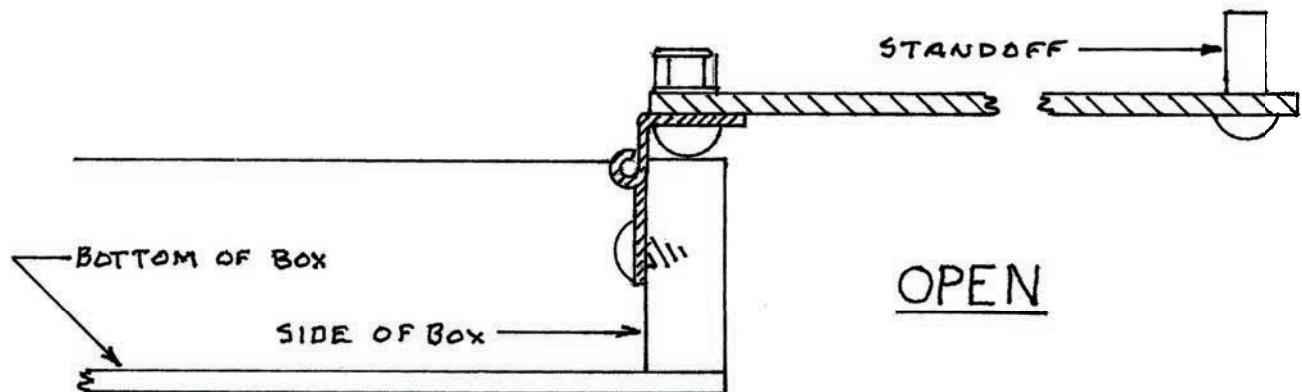
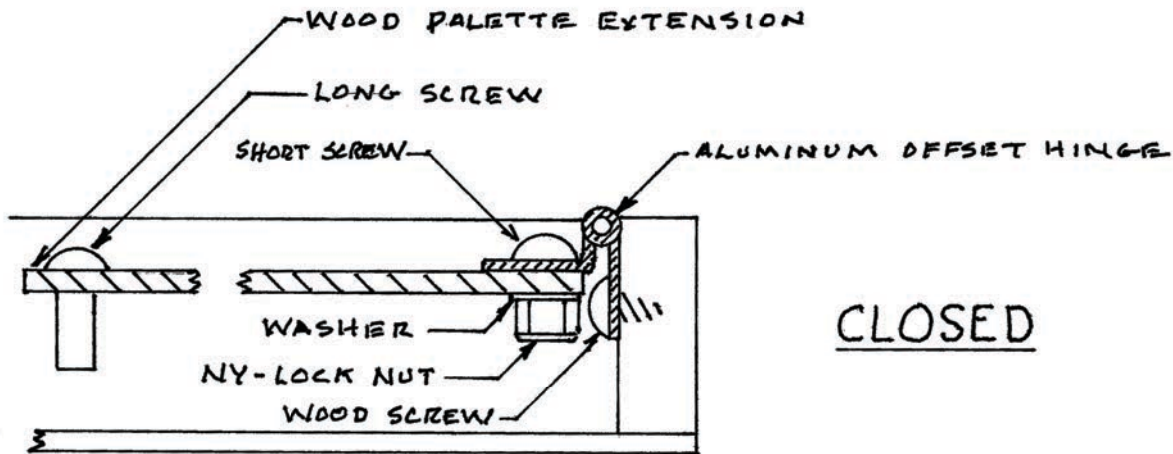
Note: Although this assembly and installation procedure is fairly simple, it may be a bit frustrating if you are not used to using tools. If that is the case, please consider recruiting the assistance of someone “handy.”

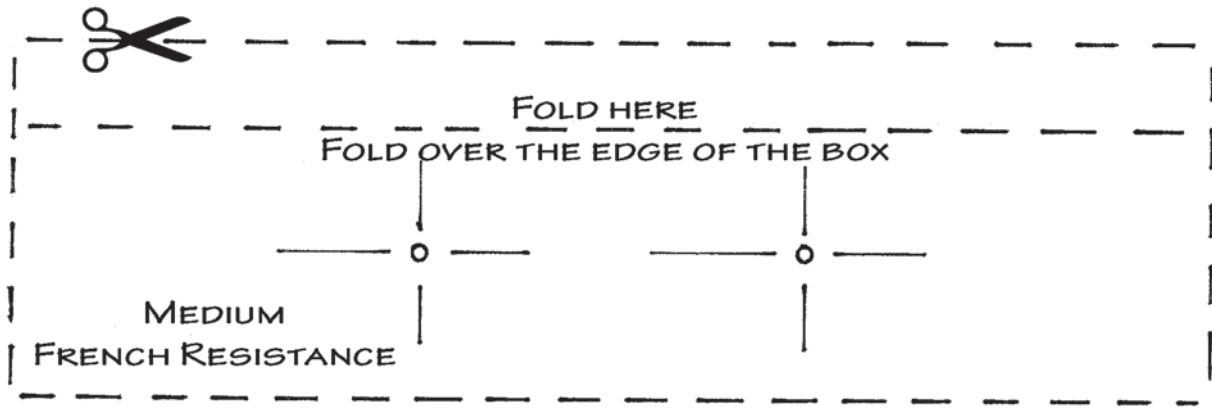
Tools needed:

- #2 Phillips Screwdriver (this is the common size)
- 7mm wrench -or- small adjustable wrench -or- pliers



1. Determine how you want the Palette Extension to be oriented :
  - a. Right or left side?
  - b. Brush holes located on near or far side?
2. Bolt the Offset Aluminum Hinge(s) to the Wood Palette Extension as shown in the diagram. The Ny-Lock Nuts will be hard to turn because they are friction locking nuts.
3. Locate the mounting holes for mounting the hinge to the side of the box (either right or left side). For newer model boxes there are pre-drilled pilot holes. For older model boxes, use the enclosed template to mark the proper screw location.
4. Before completely tightening the mounting screws to the side of the box, you may make small adjustments to the angle of the Palette Extension (most artist prefer a slight upward angle). When you have determined the angle that is just right for you, tighten the hinge mounting screws (not too tight, to avoid stripping the wood). *\*\*You will have some fasteners left over. Don't worry, this is because we pack some extras just in case...*
5. If you have questions, please don't hesitate to call Guerrilla Painter LLC at 970-493-0217.





**\*NOTE: USE THIS TEMPLATE FOR OLDER MODEL MEDIUM FRENCH RESISTANCE POCHADES™. FOR NEWER MODELS, USE THE PREDRILLED HOLES IN YOUR BOX.**