

Talis E²

Single Lever Basin Mixer, DN15, without waste set

Surfaces: **chrome** Article Number: **31614000**



Description

product features

- ComfortZone 80
- projection 100 mm
- normal spray
- flow rate: 5 l/min
- ceramic cartridge
- temperature limitation adjustable
- without waste set
- suitable for continuous flow water heaters
- connection dimension: DN15

Technology



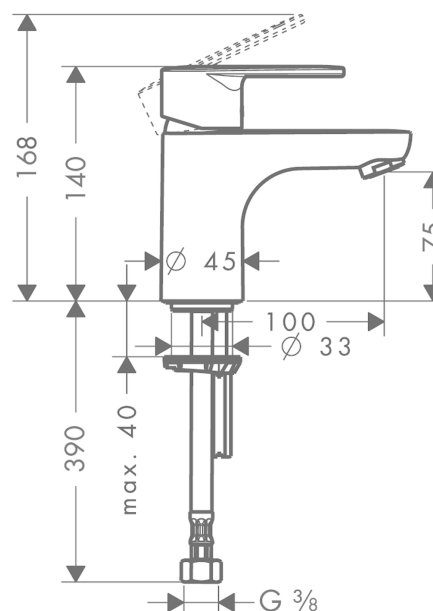
Design awards



Product image



Scale drawing



Flowchart

