

## Talis E<sup>2</sup>

Single lever basin mixer with pop-up waste set

Surfaces: **chrome** Article Number: **31612000**



### Description

#### product features

- ComfortZone 80
- projection 100 mm
- normal spray
- flow rate: 5 l/min
- ceramic cartridge
- temperature limitation adjustable
- pop-up waste set G 1¼
- suitable for continuous flow water heaters
- connection dimension: DN15

### Technology



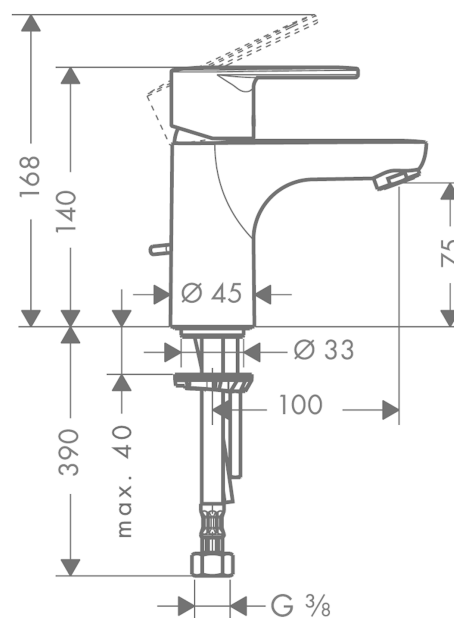
### Design awards



### Product image



### Scale drawing



### Flowchart

