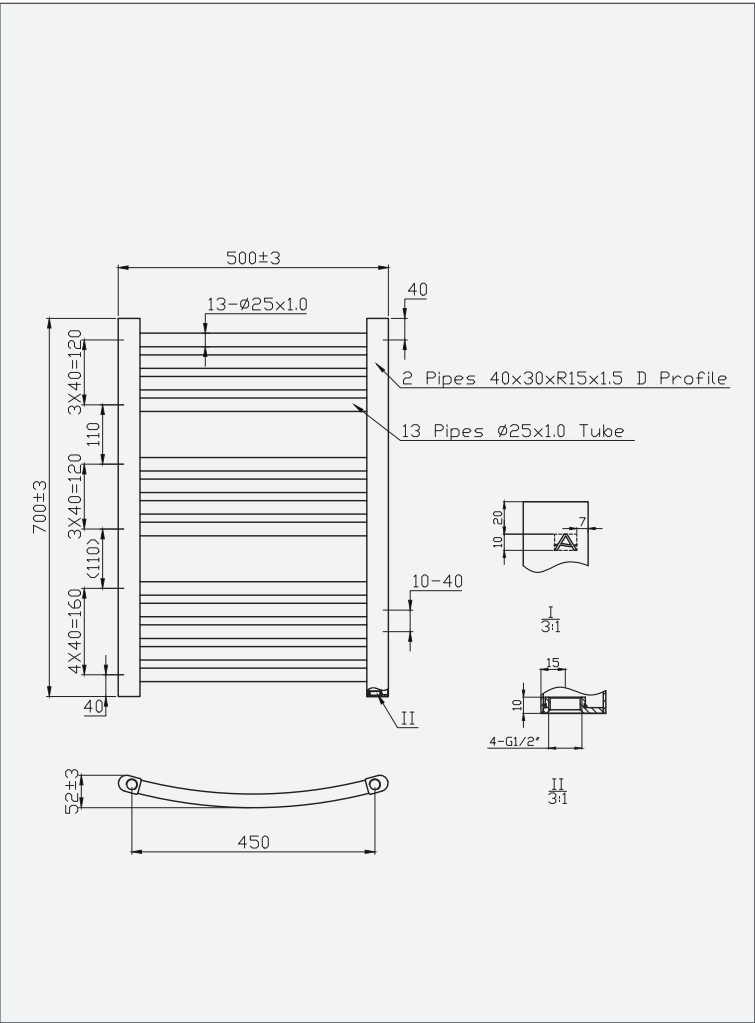


# Lyra Curved - Heated Towel Rail



L / Length (mm)	W / Width (mm)	D / Pipe Centres (mm)	Tube (pcs)	BTU (50°C)	BTU (60°C)
800mm	500mm	450mm	4+4+5	843	1012



**Features**

- Complete with unique 'Aromawell' feature, which holds aromatherapy oil, when the heating is on this will scent your bathroom
- 25mm round crossbars to maximise heat output
- Cross bars discretely etched with the Aqualla logo
- Can be used with Aqualla straight or angled valves
- 4 fixing brackets included
- 10 year product guarantee

All BTU ratings at 50°C are for the EN442 regulation test and the BTU ratings at 60°C are for comparison.